



JUNCTION BOXES

LA01-003-010



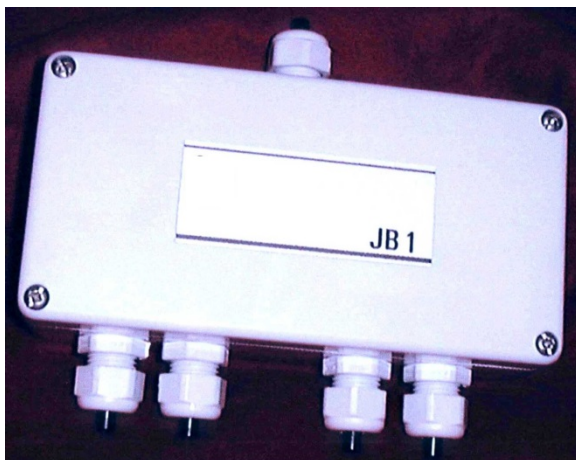
- 4 Loadcell 4 wire Coupling Box.
- IP67 sealing.
- Mild steel painted Light Grey
- Optional balancing resistors.
- Optional 3 cell and Tachometer connection.

LA01-003-030



- 4 Loadcell 4 wire Coupling Box.
- IP67 sealing.
- Polished Stainless steel construction.
- Optional balancing resistors.
- Optional 3 cell and Tachometer connection.

LA02-000-094 (JB1)



- 4 Loadcell 4 wire Coupling Box
- ABS housing.
- IP65 sealing
- PCB mounted terminals
- No additional wiring

DESCRIPTION

These junction boxes are used to connect up to 4 load cells in parallel for connection to a single instrument.

LA01 & JB1 Junction Boxes

Technical Specification Sheet

SPECIFICATION

Physical

Box 156 x 189 x 95 mm

LA02

Box 80 x 158 x 55 mm

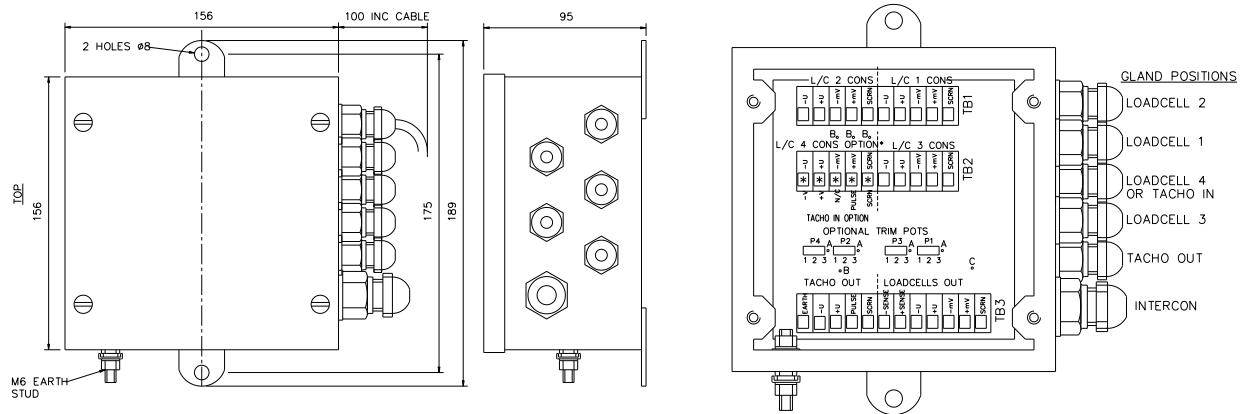
Options

Trim Potentiometers

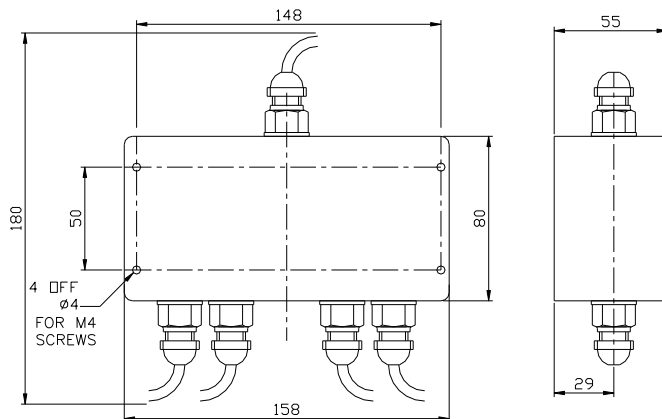
10Ω variable resistors for LA01

INSTALLATION DETAILS

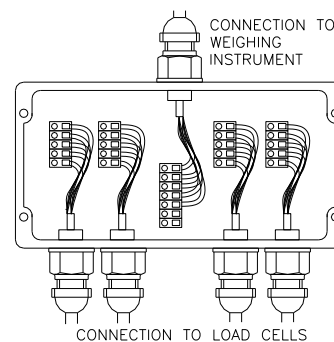
LA01



LA02(JB1)



- Glands accept cable of 4mm to 8mm O.D
- Silicon rubber gasket suitable for maximum temperature 120°C



Procon Engineering's policy is one of continuous product enhancement.

We therefore reserve the right to incorporate technical modifications without prior notification. E&OE.

Issue No: 2018-01

Block 4, Units 2 & 3
Vestry Estate
Sevenoaks, Kent, TN14 5EL

Tel: 01732 781300
Fax: 01732 781311
web site: www.proconeng.com

