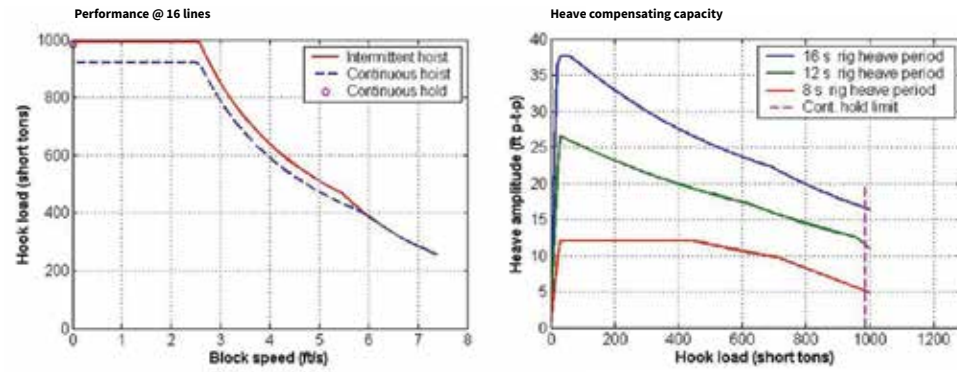
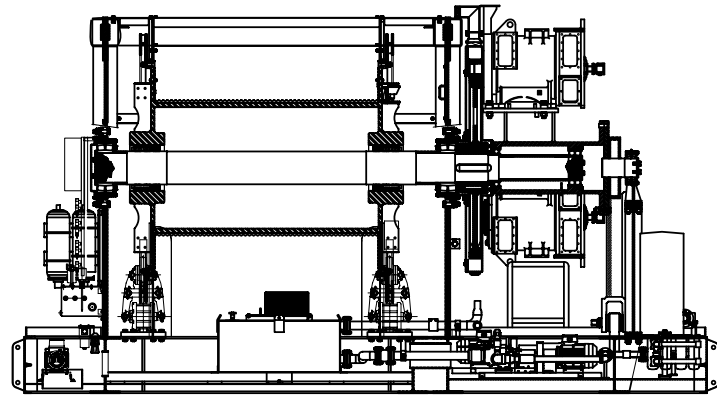


AHDD-1000



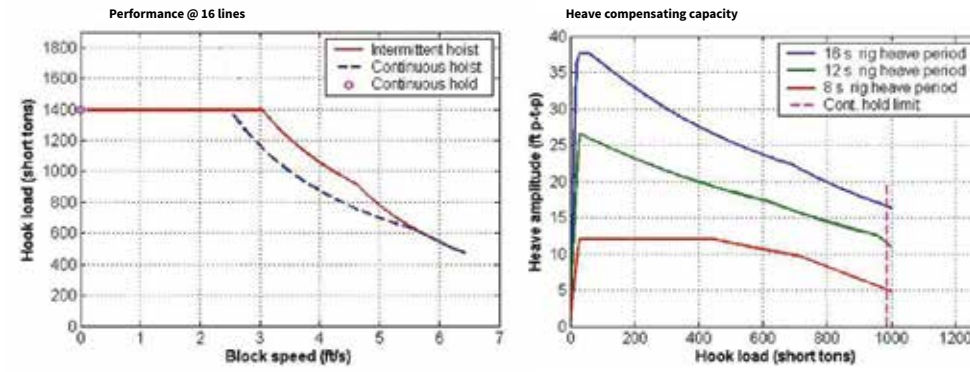
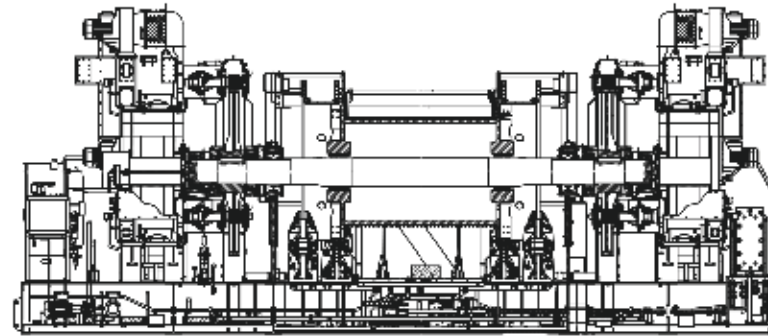
Technical specifications*

DESIGN DATA

Max hook load dual drawworks 16 lines	1,000 sT (907 mT)
Max hook load single drawworks 16 lines	1,000 sT (907 mT)
Fast line pull	137,789 lbs (62,500 kg)
Weight	142,000 lbs (69,400 kg) x 2
Dimensions (LxWxH)	30' 2 1/4" x 15' 3 3/8" x 17' 2 1/8" (9,201 mm x 4,663 mm x 5,236 mm)
Drill line diameter	1 3/4"
Max continuous power	9,200 Hp
Max intermittent power	12,880 Hp
Max block travel 16 lines (Dual drawworks)	303 ft (92.5 m)
Max block travel 16 lines (Single drawworks)	151 ft (46.2 m)
Area classification	Zone 1 (zone 2 for ATEX certified systems)
Design temperature	-4°F up to 104°F (-20°C up to 40°C)
Brake system main	AC motors
Brake system emergency	Disc brakes
Brake disc cooling method	Air cooling
Fresh/sea water supply, lube oil heat exchanger	20 GPM @ 96.8°F (76 l/min @ 36°C)
DRILLING MOTOR	
Type	GEB22A2 (AC)
Number of motors (each drawworks)	4 x 2
Power requirement	690 VAC, 60 Hz, 3 phases
Fresh/sea water supply, main AC motors	100 GPM @ 97°F (22.7 m ³ /hr @ 33°C)

* Technical specifications shown are for one of the two drawworks included in the AHDD system

AHDD-1400



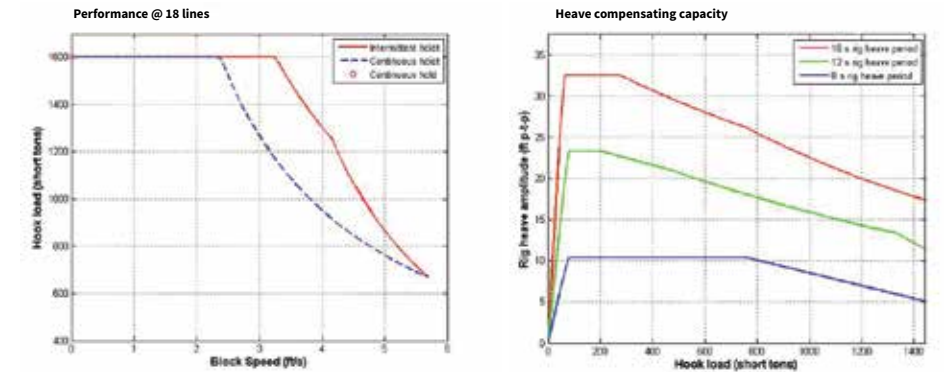
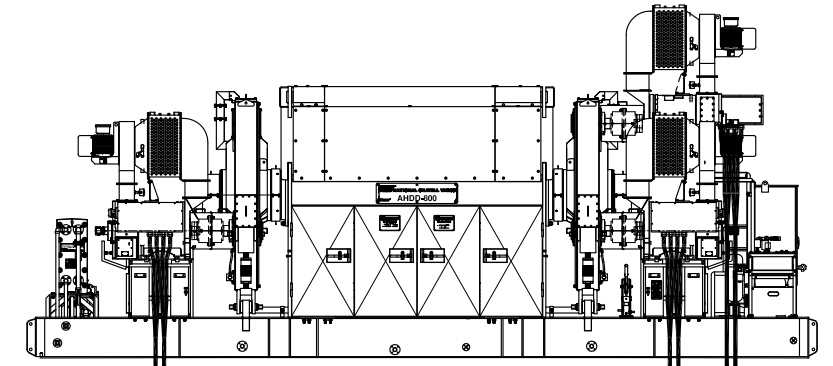
Technical specifications*

DESIGN DATA

Max hook load 16 lines	1,400 sT (1,270 mT)
Max hook load 14 lines	1,234 sT (1,119 mT)
Fast line pull	192,904 lbs (87,500 kg)
Weight	300,038 lbs (136,095 kg) x 2
Drill line diameter	2 1/4"
Max continuous power	13,800 Hp
Max intermittent power	16,698 Hp
Max block travel 16 lines (3 layers)	293 ft (89 m)
Max block travel 14 lines (3 layers)	335 ft (102 m)
Area classification	Zone 2
Design temperature	-4°F up to 113°F (-20°C up to 45°C)
Brake system main	AC motors
Brake system emergency	Disc brakes
Brake disc cooling method	Air cooling
Fresh/sea water supply, lube oil heat exchanger	40 GPM @ 96.8°F (9.08 m ³ /hr @ 36°C)
DRILLING MOTOR	
Type	GEB22A5 TEWAC
Number of motors (each drawworks)	6 x 2
Power requirement	600/690 VAC, 60 Hz, 3~
Fresh/sea water supply, main AC motors	100 GPM @ 97°F (22.7 m ³ /hr @ 33°C)

* Technical specifications shown are for one of the two drawworks included in the AHDD system

AHDD-1600



Technical specifications*

DESIGN DATA

Max hook load 18 lines	1,600 sT (1,451 mT)
Max hook load 16 lines	1,442 sT (1,308 mT)
Fast line pull	191,376 lbs (86,807 kg)
Weight	TBC
Drill line diameter	2 1/8"
Max continuous power	15,000 Hp
Max intermittent power	18,280 Hp
Max block travel 18 lines (4 layers)	384 ft (117 m)
Max block travel 16 lines (4 layers)	432 ft (131.7 m)
Area classification	Zone 2
Design temperature	-4°F up to 104°F (-20°C up to 40°C)
Brake system main	AC motors
Brake system emergency	Disc brakes
Brake disc cooling method	Air cooling
Fresh/sea water supply, lube oil heat exchanger	20 GPM @ 96.8°F (4.54 m ³ /hr @ 36°C)
DRILLING MOTOR	
Type	GEB28A1 TEWAC
Number of motors (each drawworks)	5 x 2
Power requirement	690 VAC, 60 Hz, 3~
Fresh/sea water supply, main AC motors	100 GPM @ 97°F (22.7 m ³ /hr @ 36°C)

* Technical specifications shown are for one of the two drawworks included in the AHDD system