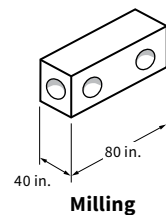
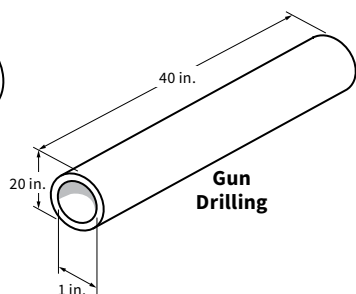
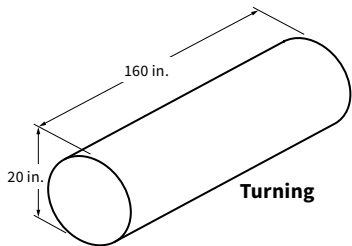
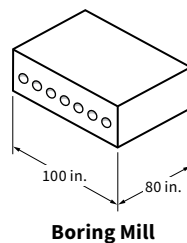
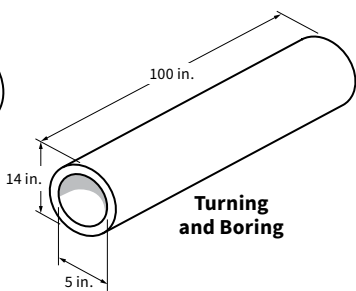
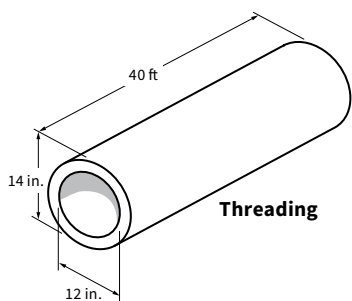


# Montrose Machining Capabilities



## Our purpose-built site in Montrose, Scotland offers a comprehensive service for precision machining, premium threading, and testing services

A range of components in all shapes, sizes, and complexities can be manufactured in our well-equipped, modern facility. Our machine shop caters to all of our customer's requirements and has continually invested in the latest CNC machinery. With our CNC machining capability including premium threading, turning, drilling, boring and milling, we encompass the full range of machinery necessary to service our large customer base. Our commitment is to supply a high-quality product, to the tightest of tolerances, in both ferric and exotic material grades. We also offer a fast and reliable service including collection and delivery.



## Capabilities Listing

### Turning and Boring

- Full CNC turning range from 1 to 32 in. diameter
- 32 in. flange OD
- 20 x 160 in. long OD turning
- 14 x 100 in. long OD/5 in. ID turning boring

### Threading

- Full CNC capability
- 2 $\frac{3}{8}$  -14 in. Range 3 capability
- 2 $\frac{3}{8}$  - 20 in. on short accessories
- Small order coupling manufacture
- Crossover and subs full supply
- Hanger threading in exotic material types
- Full suite of inspection equipment

### Boring Mill

- 6 axis CNC with full facing head capability
- CNC rotary table
- 100 x 80 in. table

### Milling

- 4 axis integrated CNC milling
- Horizontal and vertical
- 80 x 40 in. capability
- 80 x 36 in. table

### Gun Drilling

- From  $\frac{1}{8}$  to 1 in. diameter 40 in. deep
- Specials and exotic materials

### Torquing

- From 2 $\frac{3}{8}$  to 13 $\frac{3}{8}$  in. at 50,000 lbs/ft

### Swaging

- 2 $\frac{3}{8}$  in. - 13 $\frac{3}{8}$  in. Range 3 pin ends

### Phosphating

- Manganese phosphating
- 20 in. diameter (end work)
- 14 in. threaded pipe range 3 (end work)

### Inspection Equipment

- Bore gauges
- Ultrasonic wall thickness gauges
- Hardness testing
- Borescope
- Profilometer

### Testing

- Full NDT capability
- Weld Inspection
- Heat treatment
- Stress Relieving