

## Hercules HP Flapperball Threaded Stuffing Box

---

The Hercules™ HP Flapperball™ threaded pollution control stuffing box contains cone and ring packing. Our patent-pending design replaces the conventional spring loaded flapper system with a specifically engineered floating ball, which can easily be inspected or replaced on the well.

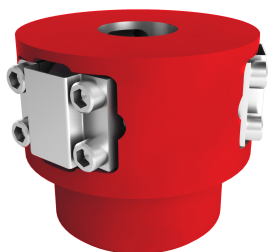
The Flapperball stuffing box weighs in at only 66 lbs. (threaded) and has been designed from the ground up for safety and ease of operation.

### Features

- In case of polished rod failure, the emergency shut in ball will float with the wellbore fluid up into the upper housing seat and seal the stuffing box to eliminate leakage
- Designed to compensate for slight misalignment of the polished rod; easily self-aligned
- 16" overall height
- Upper 2 ¼" OD packing/lower cone packing
- Various sizes and pressure ratings available
- Dual pack
- Easy to replace packing
- Center housing doubles as lubrication chamber
- Offset packing compatible

### Benefits

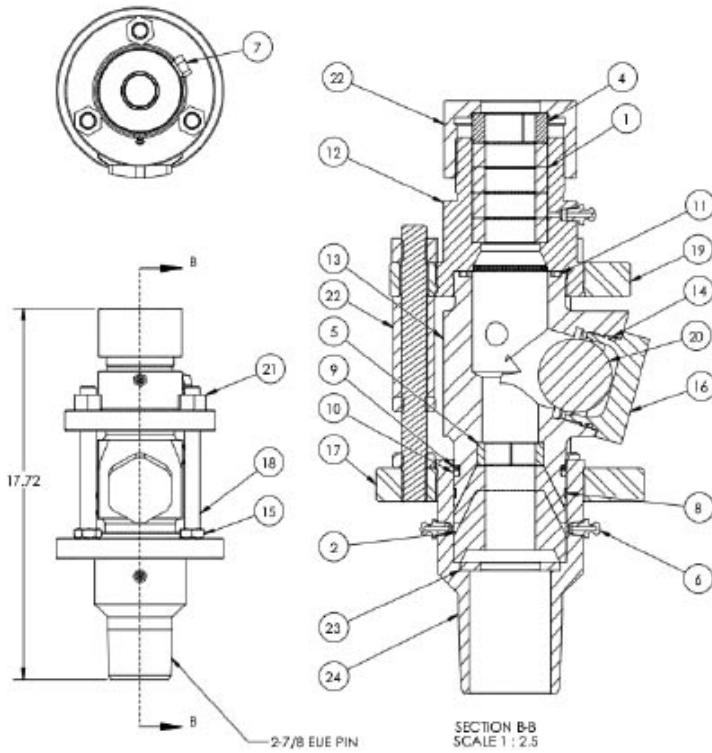
- Allows for maintenance typically not possible in standard stuffing boxes. The sealing mechanism (the ball) can be inspected and/or replaced as opposed to a check valve seat which cannot be inspected or replaced
- Various ports allow flexibility to include gauges or shutdown switches
- Change lower packing safely and efficiently without requiring rod clamps
- Available in 1500, 3000, and 5000 psi working pressures
- Available in various thread sizes upon request
- Support (stack off) rod string without additional equipment



### Accessories

- Replace conventional cap with a Roller Derby to reduce vibration and correct misalignment

# Hercules HP Flapperball Threaded Stuffing Box



ITEM NO.	PART NUMBER	DESCRIPTION	QTY.
1	100029	RING PACKING, 1.5 NBR, SET OF 4	1
2	100030	CONE PACKING, 1.50, NBR, SET 1 BOTTOM, 1 TOP	1
22	100041	UPPER PACKING CAP	1
4	100047	UPPER SPLIT RING, 1.50	1
5	100048	LOWER SPLIT RING, 1.50	1
6	100053	GREASE NIPPLE, 1/8" NPT	3
7	100055	0.5" NPT PLUG, 10,000 PSI, SS	3
8	100056	GUIDERING, PARKER # 0401 PDW A 03375 A 0250	1
9	100057	BACK UP RING 8-337, NITRILE 90 DURO	1
10	100058	O-RING, 2-337, VITON 75 DURO	1
11	100149	O-RING, 2-334, HSN 80 DURO	1
12	100151-5000	UPPER HOUSING, FLAPPERBALL, 5000 PSI	1
13	100152	CENTER HOUSING, FLAPPERBALL	1
14	100156	O-RING 2-230, HSN 80 DURO	1
15	100157	3/4 - 10 UNC JAM NUT, GR 5	4
16	100169	BALL PORT PLUG	1
17	100185	LOWER FLANGE	1
18	100186	3/4 - 10 UNC X 8.00 LNG STUD, L7M, ZN PL	3
19	100187	UPPER FLANGE	1
20	100188	BALL 2.20 TPX	1
21	100192	3/4 - 10 UNC HEAVY HEX NUT, 2HM, ZN PL	3
22	100265	JACK TUBE	1
23	100318	SUPPORT DISK, FLAPPERBALL, 2-7/8	1
24	100326	LOWER HOUSING, 2-7/8 EUE WITH SUPPORT DISK	1

WORKING PRESSURE: 5000 PSI

WEIGHT: 61 LBS