

Orange Crush Frac Pump Valve



Don't let scheduled maintenance cycles slow you down

We understand that valves and seats are a considerable part of a fracturing operation's total maintenance costs. Service companies rely on pre-established valve and seat maintenance schedules. Having the confidence to lengthen these maintenance intervals will have a positive effect on your bottom line.

The Orange Crush™ frac pump valve employs an optimized insert geometry (patent pending) paired with a field-proven polyurethane material designed to prolong the life of both the valve and seat. This revolutionary geometry decreases the material's strain as it compresses during operation.

Features and benefits

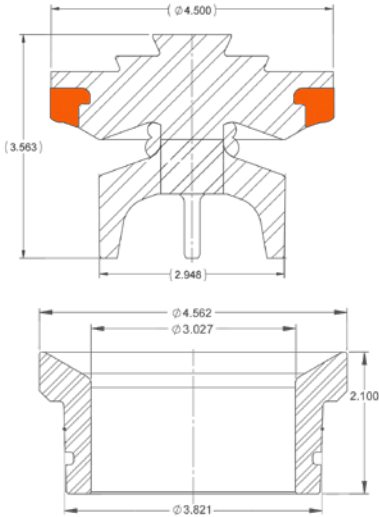
- Optimized insert geometry paired with an abrasion-resistant polyurethane material provides superior performance
- Increased wing guide diameter improves alignment
- Consistent performance and longer life provided by forged high-strength steel unibody construction
- Optimized seat wing design for improved alignment
- Available in P4 and P5 sizes

Part numbers

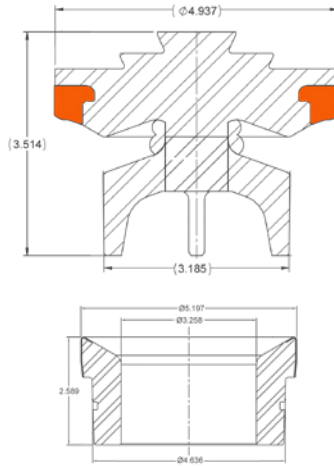
Description	Part number
P4 Orange Crush valve	0701133060J
P5 Orange Crush valve	0701133560J
P4 carburized seat	080130297XM
P5 carburized seat	XM-252

Specifications*

P4 valve and seat

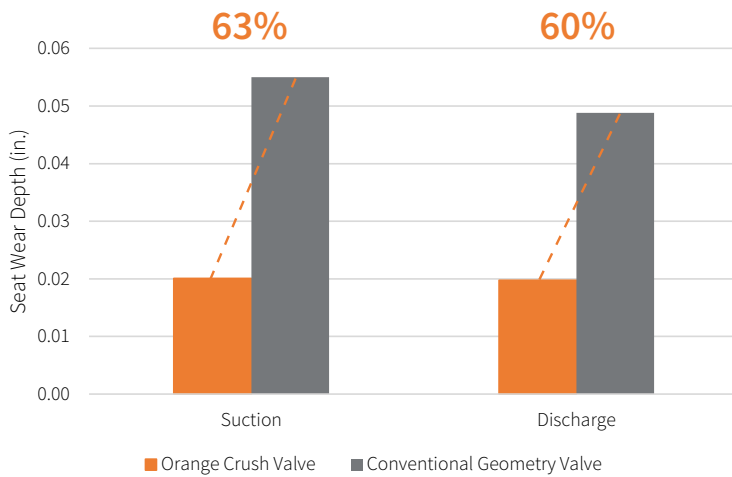


P5 valve and seat



*Specifications are approximate. Contact your NOV sales representative for more information.

Carburized Seat Wear Comparison



There is a direct correlation between valve life and seat life. As the valve begins to wear, the impact force causes the seat's strike face to wear. As this wear depth increases, it exponentially decreases the life of the valve. Measuring the wear on the seat can be used as an indicator for how well the urethane cushions the impact. Less impact force is indicated by less seat-wear depth.

As seen in the chart, the seat housing the Orange Crush valve has 60% more life remaining than the seat with a conventional geometry valve on average. This proves that the Orange Crush valve also causes the seat to last longer.

