

Series A Muncher



A high torque, low speed grinder for open channel and wet well installations suitable for the efficient disintegration of solids within a flow.

Typical Applications

- Pump protection for sewage or sludge pumping
- Screenings maceration
- Headworks maceration
- Industrial effluent conditioning
- Bio-degradable waste maceration for recycling processing
- Submersible pump protection

Capacity

- Up to 1200 m³/h

Features and Benefits

Capacity Slow Operational Speeds

Lower cutter tip speeds dramatically reduce wear rates. The downtime for cutter replacement is reduced resulting in lower maintenance costs. Slow speeds also ensure low noise and vibration.

Flexible Design

Munchers can be configured for channel, wet well, and pipeline installations. Multiple drive options are available including hydraulic or submersible motors.

Lower Power Consumption

Cost savings especially when compared to high speed macerators.

Simple Construction

- Minimal attention and maintenance
- Ease of servicing - no special tools or fitting skills required
- Reduction in downtime

Built-in Overload Protection

Prevents serious damage to the Muncher, saving on costly downtime.

Standardization

Interchangeability of components. One set of spares required for all machines. Reduced level of parts inventory. Dimensionally compatible with competitive manufacturers.

Individual Cutting Elements

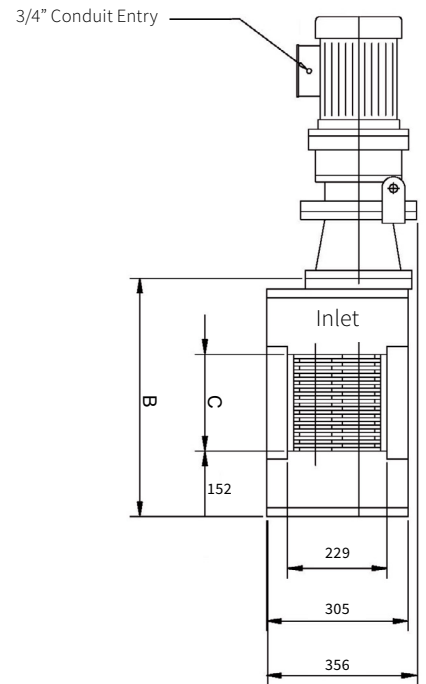
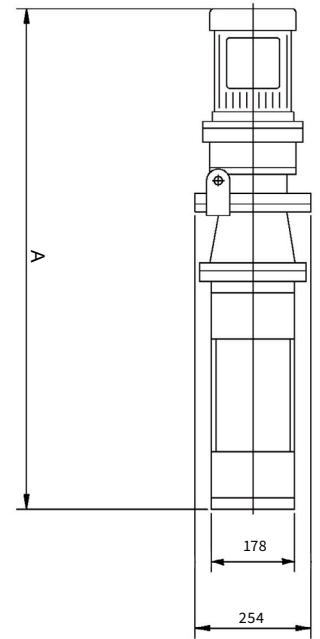
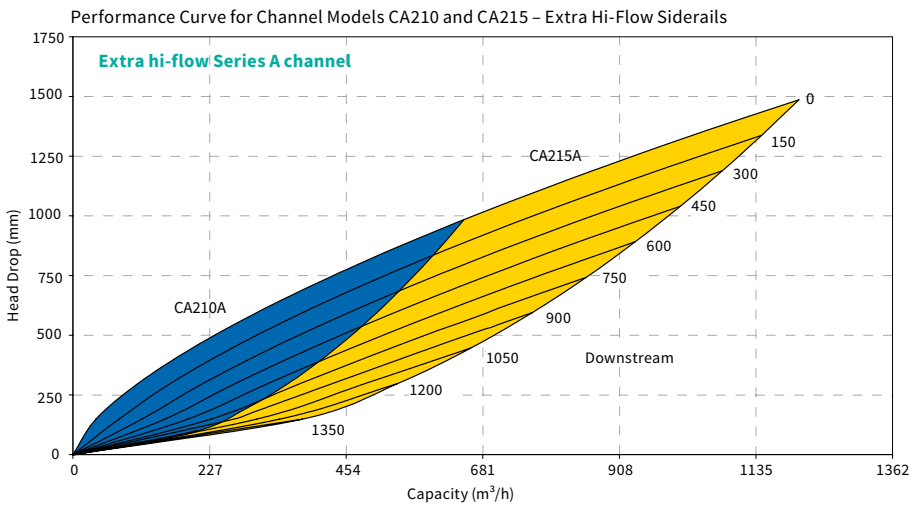
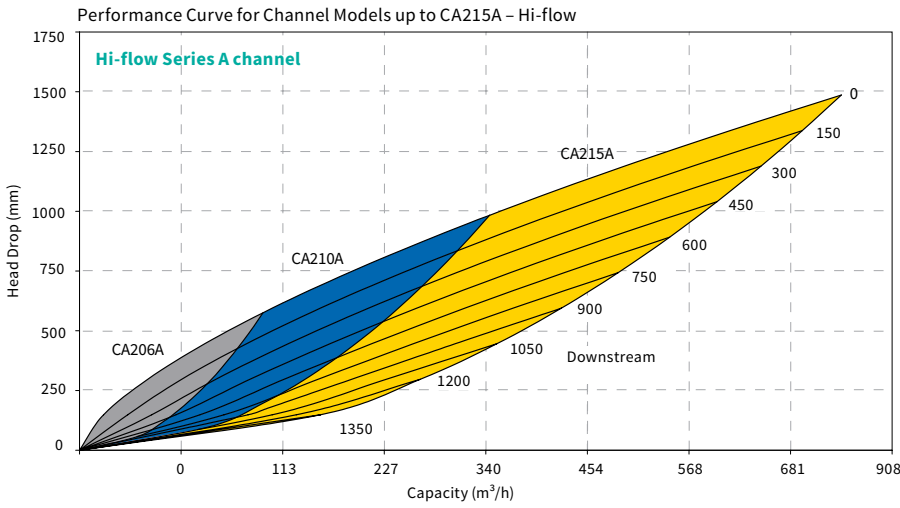
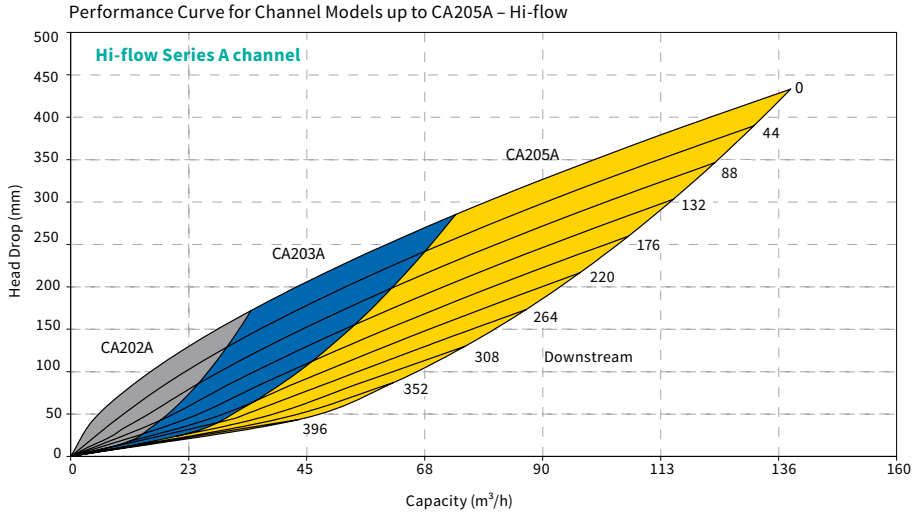
Cost reduction by having to replace only worn cutting elements.

Ease of Installation

No complex civil foundation work required – can be installed into existing channel.

Series A Muncher

Performance Data & Dimensions



MODEL	A	B	C
A202	1257	516	175
A203	1372	630	290
A205	1521	780	440
A206	1666	925	584
A210	2083	1339	in mm

All dimensions are in meters and for guidance only.

