

Bonded Sump Entry Fitting Instructions

For Red Thread™ IIA and Dualoy™ 3000/L Fiberglass Piping Systems



General

The sump entry fitting has a slip-through design with no shoulder and can move freely through the sump wall (Figure 1). This allows for maximum maneuverability when connecting the primary or secondary containment pipe to the sump. The sump entry fitting is ideal for series piping installations and single wall vent and vapor piping as it does not require a coupling (required for parallel piping) between sumps.

The sump entry fitting consists of a tapered body with a machined O.D. that fits into a sump penetration hole. The body is secured to the sump wall with special fiberglass alignment rings and metal retaining rings. It is important that the alignment and retainer rings are in place loosely over the secondary and/or primary pipe before bonding (figure 2).

NOTE: This fitting can be bonded to a flat fiberglass surface only. DO NOT install on thermoplastic or round sumps. For ease of installation, flexible connectors are recommended when using these fittings. The use of test boots may be required for field testing the secondary containment. Bonded Sump Entry Fittings may also be used along with other types of fiberglass sump entry fittings in the same system. Bonded Sump Entry Fittings can be used for either Primary or Secondary Containment (SC) systems. The pipe end connected to the Bonded Sump Entry Fitting must be tapered in either case. Contact your local Fiber Glass Systems representative for more information.

Instructions

Please read these instructions thoroughly before beginning your installation. Call your local NOV Fiber Glass Systems Representative if you have any questions.

It is advantageous to bond and cure the sump entry fitting on one end of the pipe run between sumps before bonding the opposite side. This will prevent excess movement from disturbing the “wet” sump joint.

1. Determine entry hole location and cut entry hole in sump wall using dimension “C” in Table.

Fitting Dimensions

Sump Entry Fitting Size		A		C	
in	mm	in	mm	mm	mm
2	50	5	125	2 1/16	65
3	80	6	150	3 3/4	95
4	100	6	150	4 3/4	120
6*	150*	8	200	6 7/8	175

*Adjustable hole cutter required for 6” fitting

2. Measure, cut and dry fit both the primary and the secondary pipe and fittings between the sumps. Center the sump entry fitting in the cut holes of each sump. Position the alignment and retainer rings loosely over the primary and/or secondary containment pipe on the outside of the sump and over the primary pipe on the inside of the sump.
3. Use 36-60 grit sanding material or flexible power sander to rough up the area around the sump hole where the alignment ring will be bonded. Remove the glossy surface. Lightly sand the rings and remove the dust.
4. Bond the primary pipe and fittings per the instructions in the installation manual. If the line is for secondary containment, bond the secondary pipe to the sump entry fitting on each end of the pipe run. Do not bond the fittings to the sump. Ensure the alignment and retainer rings are positioned loosely over the secondary containment pipe on the outside of the sump and over the primary pipe on the inside of the sump.
5. Mix the 8014, 8069, or PSX-34 adhesive kit for each fitting per the instructions in the adhesive kit. If using 8000 series adhesive, it is necessary to mix in the filler (available separately) to thicken the adhesive.

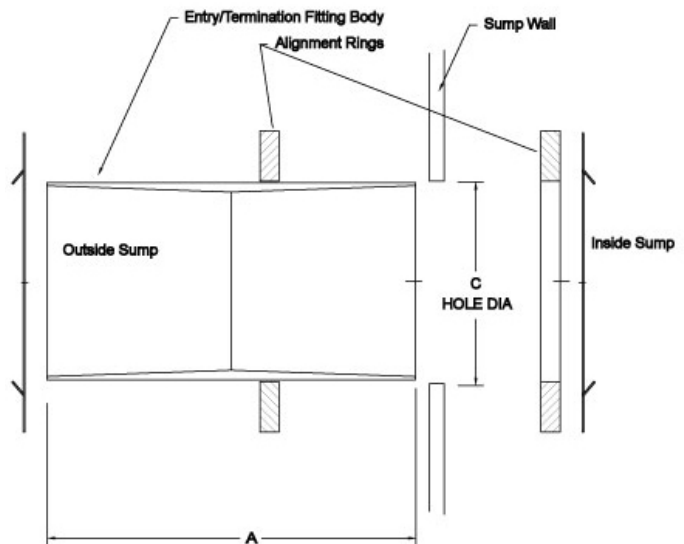


Figure 1
Alignment and retainer rings

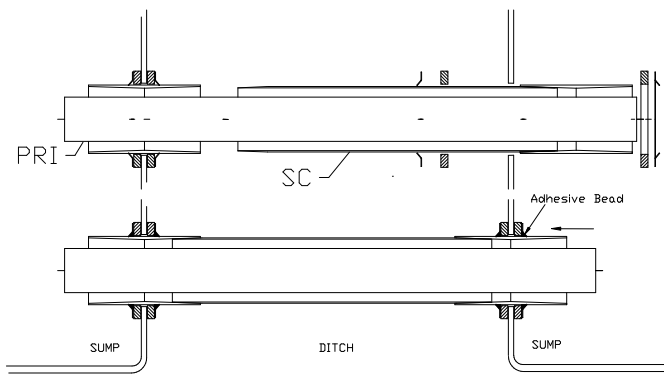


Figure 2

6. The primary and/or secondary containment pipe and fittings should be free to move back and forth through the cut hole in the sump. Position or align the primary fittings inside the sumps. Begin bonding the sump entry fittings at either the tank or at the end dispenser. Bond one of the fiberglass alignment rings on the inside and the outside of the sump.
7. Apply a generous amount of the adhesive with filler to the sump wall, the cut edges of the entry hole, the ID of the alignment ring and as a bead on the coupling OD where it meets the sump wall (Figure 3). Adhesive must be at least 1/16" thick.

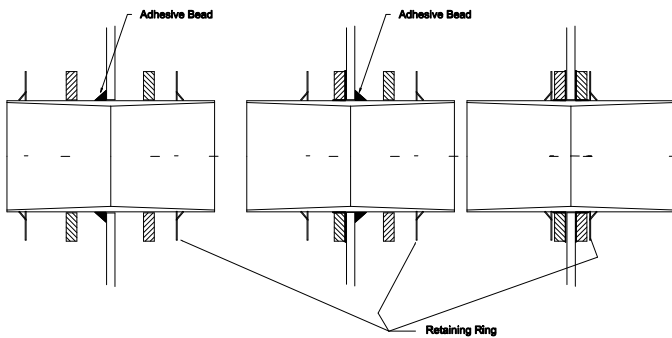


Figure 3
Adhesive bead

8. Beginning from the inside of the sump, push the alignment ring to the sump wall with slight pressure. This will create a bead of adhesive around the outer and inner surfaces of the alignment ring. Next, push the retaining ring up to the alignment ring and using either a split section of PVC pipe or a small plastic hammer, drive the metal retaining ring over the coupling and up against the alignment ring. Retaining ring maintains pressure on the alignment ring while the adhesive cures. Repeat this process for the alignment and retaining ring located on the outside sump wall. Apply pressure to both the outside and inside retaining rings to create a bead of adhesive around the alignment rings.
9. A good adhesive bead is essential for the sump entry fitting to have a properly bonded joint. If there is an area that does not have an adequate bead of adhesive around it, apply extra adhesive in this area.
10. Bond and cure the sump entry fitting on one end of the pipe run between sumps before bonding the other side. This will keep excess movement from disturbing the "wet" sump joint.
11. Refer to the adhesive kit instructions for ambient temperature cure times. The use of an industrial hot air gun will speed up the adhesive curing process.

National Oilwell Varco has produced this brochure for general information only, and it is not intended for design purposes. Although every effort has been made to maintain the accuracy and reliability of its contents, National Oilwell Varco in no way assumes responsibility for liability for any loss, damage or injury resulting from the use of information and data herein nor is any warranty expressed or implied. Always cross-reference the bulletin date with the most current version listed at the web site noted in this literature.

Fiber Glass Systems

17115 San Pedro Avenue, Ste 200
San Antonio, Texas 78232 USA
Phone : 210 477 7500
Fax : 210 477 7560

© 2016 National Oilwell Varco All rights reserved
INS1284ENG November 2016