

Sealable Drains

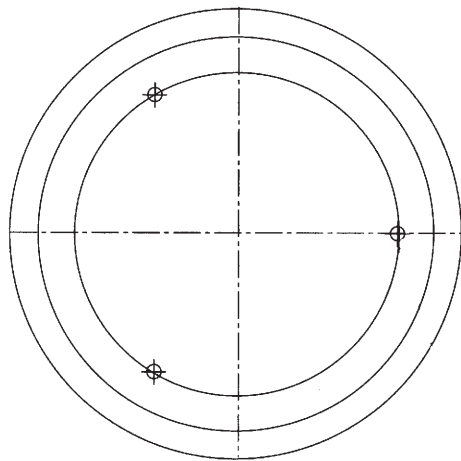


NOV Fiber Glass Systems introduces the next generation of fiberglass sealable floor drain incorporating a 12" inlet diameter. It is the perfect answer to your need for large heavy duty floor and equipment drains that are subject to corrosive fluids and heavy traffic loading. Our 6" and 12" Sealable Drains are the most economical alternative available to stainless steel floor and equipment drains.

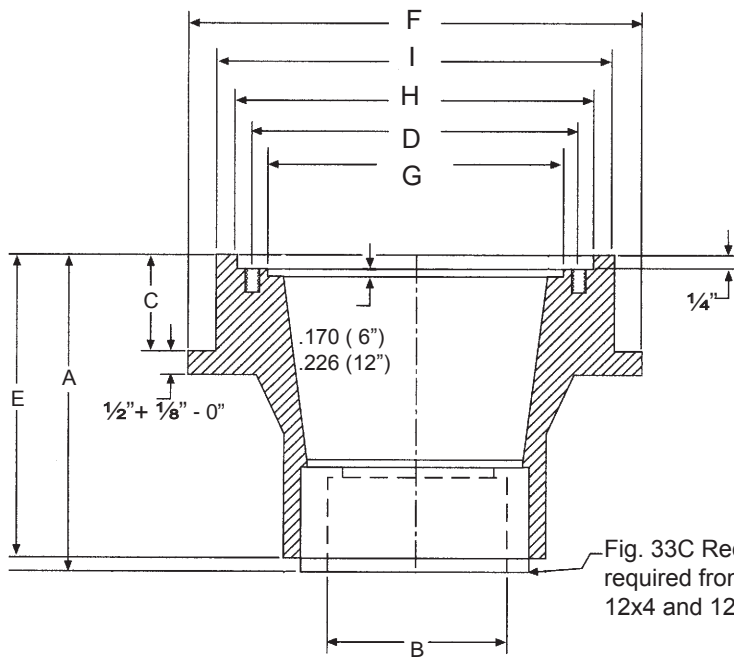
- The body of the drain is manufactured with high strength compression molded fiberglass. Standard drain bodies are made with highly corrosion resistant epoxy Novolac-based vinyl ester resin that provides corrosion resistance similar to that of expensive exotic metals. These are available in Z-CORE®, epoxy and other vinyl ester resin systems upon request.
- Each drain is provided with a Viton plug to prevent the entry of unwanted fluids into the waste system.
- Drains are provided with 316 stainless steel strainer basket, cover and hardware allowing high wheel loading ratings and excellent corrosion resistance.
- Available with either a perforated stainless steel drain grate or solid stainless steel cover providing versatility in equipment drain, clean out and floor drain applications. O-ring sealing of the stainless steel cover provides a water tight seal for clean out and equipment drain applications.



Description	Figure	Viton Plug	316 Stainless Steel		
			1/4" Solid Cover Plate W/O-Ring Seal	1/4" Drilled Drain Grate	16 Gauge Strainer Basket
Clean Out	203CO	✓	✓		
Floor Drain	203FD	✓		✓	✓
Equipment Drain	203ED	✓	✓		✓



QUALITY MANAGEMENT SYSTEM
 CERTIFIED BY DNV
ISO 9001:2008
LITTLE ROCK, AR
SAND SPRINGS, OK
SUZHOU, CHINA
FIBER GLASS SYSTEMS



National Oilwell Varco has produced this brochure for general information only, and it is not intended for design purposes. Although every effort has been made to maintain the accuracy and reliability of its contents, National Oilwell Varco in no way assumes responsibility for liability for any loss, damage or injury resulting from the use of information and data herein nor is any warranty expressed or implied. Always cross-reference the bulletin date with the most current version listed at the web site noted in this literature.

Fig. 33C Reducer Insert required from 6x2, 6x3, 12x4 and 12x6 sizes.*

NOTE: 2"-6" FNPT outlet available on request.

Sealable Drain Dimensional Data

Size In	A ± 1/8" In	B In	C In	D In	E In	F ± 1/8" In	G In	H In	I In
6x2	6 1/4	2 3/8	2	6 3/8	6	8 7/8	5 3/4	7	7 3/4
6x3	6 1/4	3 1/2	2	6 3/8	6	8 7/8	5 3/4	7	7 3/4
6x4	6	4 1/2	2	6 3/8	6	8 7/8	5 3/4	7	7 3/4
12x4	8 11/16	4 1/2	1 9/16	13 3/8	8	15 1/2	12 3/4	14	14 1/2
12x6	8 11/16	6 5/8	1 9/16	13 3/8	8	15 1/2	12 3/4	14	14 1/2
12x8	8	8 5/8	1 9/16	13 3/8	8	15 1/2	12 3/4	14	14 1/2

North America
 17115 San Pedro Ave. Suite 200
 San Antonio, Texas 78232 USA
 Phone: 210 477 7500

South America
 Avenida Fernando Simoes
 Recife, Brazil 51020-390
 Phone: 55 31 3501 0023

Europe
 P.O. Box 6, 4190 CA
 Geldermalsen, The Netherlands
 Phone: 31 345 587 587

Asia Pacific
 No. 7A, Tuas Avenue 3
 Jurong, Singapore 639407
 Phone: 65 6861 6118

Middle East
 P.O. Box 17324
 Dubai, UAE
 Phone: 971 4881 3566

www.fgspipe.com • fgspipe@nov.com

NOV Fiber Glass Systems

©2012 National Oilwell Varco. All rights reserved,
 C11655 February 2009