

## NCP Casing Packer

---

The NCP Casing Packer features a large I.D. for low to medium pressure production and isolation applications. The packer is a versatile tool used for injection, production and cementing of liner strings. The Casing Packer uses deep wide wicker slips, single or double element system making this packer ideal for setting in open hole or scaly pipe. The packer may be run in tension or compression configuration.

### Features

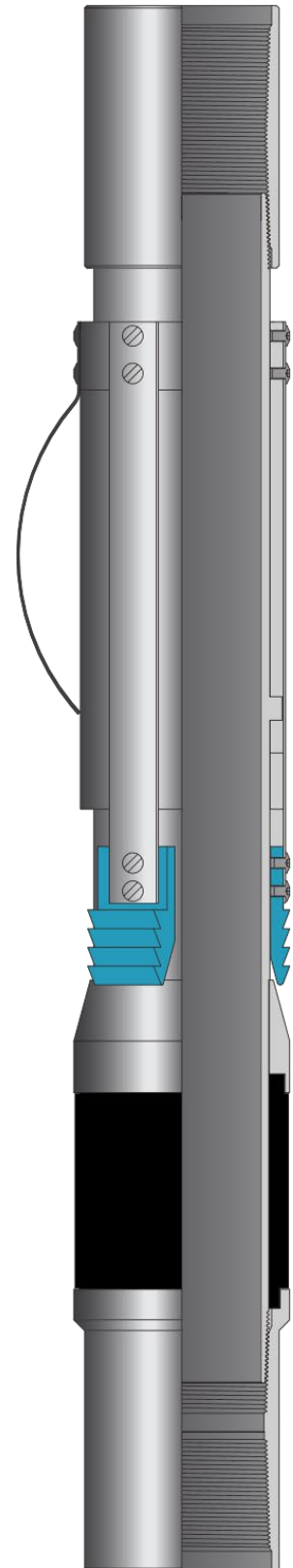
- Simple operation – quarter turn to set
- Large wicker slips permit set in open hole or corroded casing
- Large I.D. for maximum production or injection

### Benefits

- May run casing below packer, acting as a liner hanger
- Tension or compression set

### Applications

- Production
- Injection
- Isolation



# NCP Casing Packer

## Technical Data

CASING				PACKER			
SIZE in. (mm)	WEIGHT lb/kg	Min. in.(mm)	Max in.(mm)	Max. O.D. In.(mm)	Min. I.D. In.(mm)	Standard Connection	Product Number
4.500 114,30	15.1 22,47	3.750 95,25	4.000 101,60	3.516 89,31	1.922 48,82	2.375" EU 8 RD	15-440-2345
	9.5 - 13.5 14,14 - 20,09	3.920 99,57	4.090 103,89	3.766 95,66	2.484 63,09	2.875" EU 8 RD	15-440-2745
5.000 127,00	20.0 - 23.0 29,76 - 34,22	4.670 118,62	4.788 121,62	4.516 114,71	2.984 75,79	3.500" EU 8 RD	15-440-3550
	11.5 - 18.0 17,11 - 26,78	4.276 108,61	4.560 115,82	4.141 105,18	2.484 63,09	2.875" NU 10 RD	15-440-2751
5.500 139,70	13.0 - 17.0 19,34 - 25,30	4.892 124,26	5.044 128,12	4.641 117,88	2.984 75,79	3.500" NU 10 RD	15-440-3555
	13.0 - 17.0 19,34 - 25,30	4.892 124,26	5.044 128,12	4.650 118,11	3.484 88,49	4.000" NU 8 RD	15-440-4055
6.000 152,40	18.0 - 20.0 26,78 - 29,76	5.352 135,94	5.424 137,77	5.193 131,90	3.484 88,49	4.000" NU 8 RD	15-440-4060
6.625 168,28	20.0 - 28.0 29,76 - 41,66	5.791 147,09	6.049 153,64	5.641 143,28	3.984 101,19	4.000" EU 8 RD	15-440-4065
	20.0 - 28.0 29,76 - 41,66	5.791 147,09	6.049 153,64	5.641 143,28	3.984 101,19	4.500" LTC 8 RD	15-440-4565
	17.0 - 38.0 25,30 - 56,54	5.920 150,37	6.538 166,07	5.766 146,46	3.984 101,19	4.500" LTC 8 RD	15-440-4566
7.000 177,80	20.0 - 26.0 29,76 - 38,69	6.276 159,41	6.456 163,98	6.125 155,58	4.484 113,89	5.000" LTC 8 RD	15-440-5070
	17.0 - 23.0 25,30 - 34,22	6.366 161,70	6.538 166,07	6.204 157,58	4.484 113,89	5.000" LTC 8 RD	15-440-5071
	20.0 - 33.7 29,76 - 50,15	6.765 171,83	7.125 180,98	6.641 168,68	3.984 101,19	4.500" LTC 8 RD	15-440-4576
7.625 193,68	20.0 - 33.7 29,76 - 50,15	6.765 171,83	7.125 180,98	6.641 168,68	3.984 101,19	4.500" LTC 8 RD	15-440-4576
	20.0 - 33.7 29,76 - 50,15	6.765 171,83	7.125 180,98	6.516 165,51	4.984 126,59	5.500" LTC 8 RD	15-440-5576
	24.0 - 40.0 35,71 - 29,52	7.725 196,22	8.097 205,66	7.156 181,76	3.984 101,19	4.500" LTC 8 RD	15-440-4575
8.625 219,08	43.8 - 53.5 65,17 - 79,61	8.535 216,79	8.755 222,38	8.266 209,96	3.984 101,19	4.500" LTC 8 RD	15-440-4585
	29.0 - 36.0 43,15 - 53,57	7.825 198,76	8.097 205,66	7.630 193,80	5.984 151,99	6.625" LTC 8 RD	15-440-6585
	24.0 - 40.0 35,71 - 59,52	7.725 196,22	8.097 205,66	7.516 190,91	4.984 126,59	5.500" LTC 8 RD	15-440-5585
9.625 244,48	43.5 - 53.5 64,72 - 79,61	8.535 216,79	8.755 222,38	8.266 209,96	6.484 164,69	7.000" LTC 8 RD	15-440-7095
	32.6 - 43.5 48,51 - 64,73	8.755 222,38	9.001 228,63	8.516 216,31	5.984 151,99	6.625" LTC 8 RD	15-440-6596
	32.6 - 43.5 48,51 - 64,73	8.755 222,38	9.001 228,63	8.516 216,31	5.984 151,99	7.000" LTC 8 RD	15-440-7096
10.750 273,05	32.75 - 55.5 48,73 - 82,58	9.760 247,90	10.192 258,88	9.500 241,30	6.484 164,69	7.000" LTC 8 RD	15-440-7010
11.750 298,45	42.0 - 54.0 62,50 - 80,35	10.880 276,35	11.084 281,53	10.641 270,28	7.984 202,79	8.625" LTC 8 RD	15-440-8511
13.375 339,73	48.0 - 72.0 71,42 - 107,14	12.347 313,61	12.716 322,96	12.016 305,21	8.984 228,19	9.625" LTC 8 RD	15-440-9513
16.000 406,40	65.0 - 84.0 96,72 - 124,99	15.010 381,25	15.250 387,35	14.750 374,65	8.984 228,19	9.625" LTC 8 RD	15-440-9516
	65.0 - 84.0 96,72 - 124,99	15.010 381,25	15.250 387,35	14.716 373,79	12.484 317,09	13.375" STC 8 RD	15-440-1316