

CX-5

**BEAR™ Reciprocating
Plunger Pump
Parts List**

Material Options for Fluid End Parts:
 The suffix of the part number determines the material.

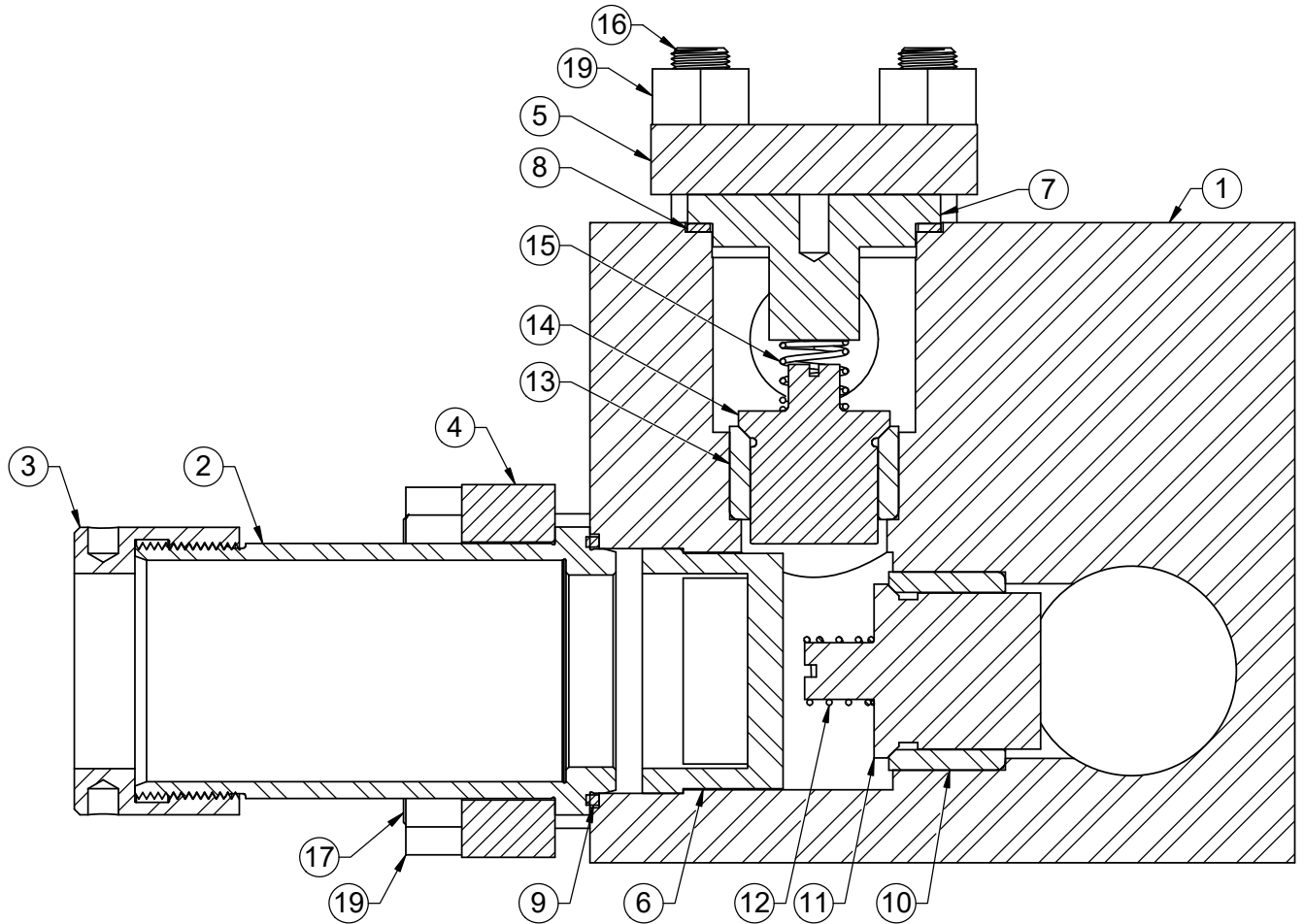
Part Number Suffix:

- None= Carbon Steel
- S= Stainless Steel
- D1= Super Duplex Stainless Steel
- B7= Bronze
- P= Peek

	Material Options			
	Carbon Steel	Stainless Steel	Super Duplex Stainless Steel	Bronze
Forged Fluid End	X	X		
Casted Fluid End	X		X	
Stuffing Box	X	X	X	
Gland Nut	X	X	X	X
Stuffing Box Flange	X	X	X	
Valve Covers	X	X	X	
Suction Stop	X	X	X	
Discharge Stop	X	X	X	
Suction Manifold	X	X	X	
Discharge Manifold	X	X	X	

Example:

B123A456789 is a made-up part number. B123A456789S would be the stainless steel version of that part.

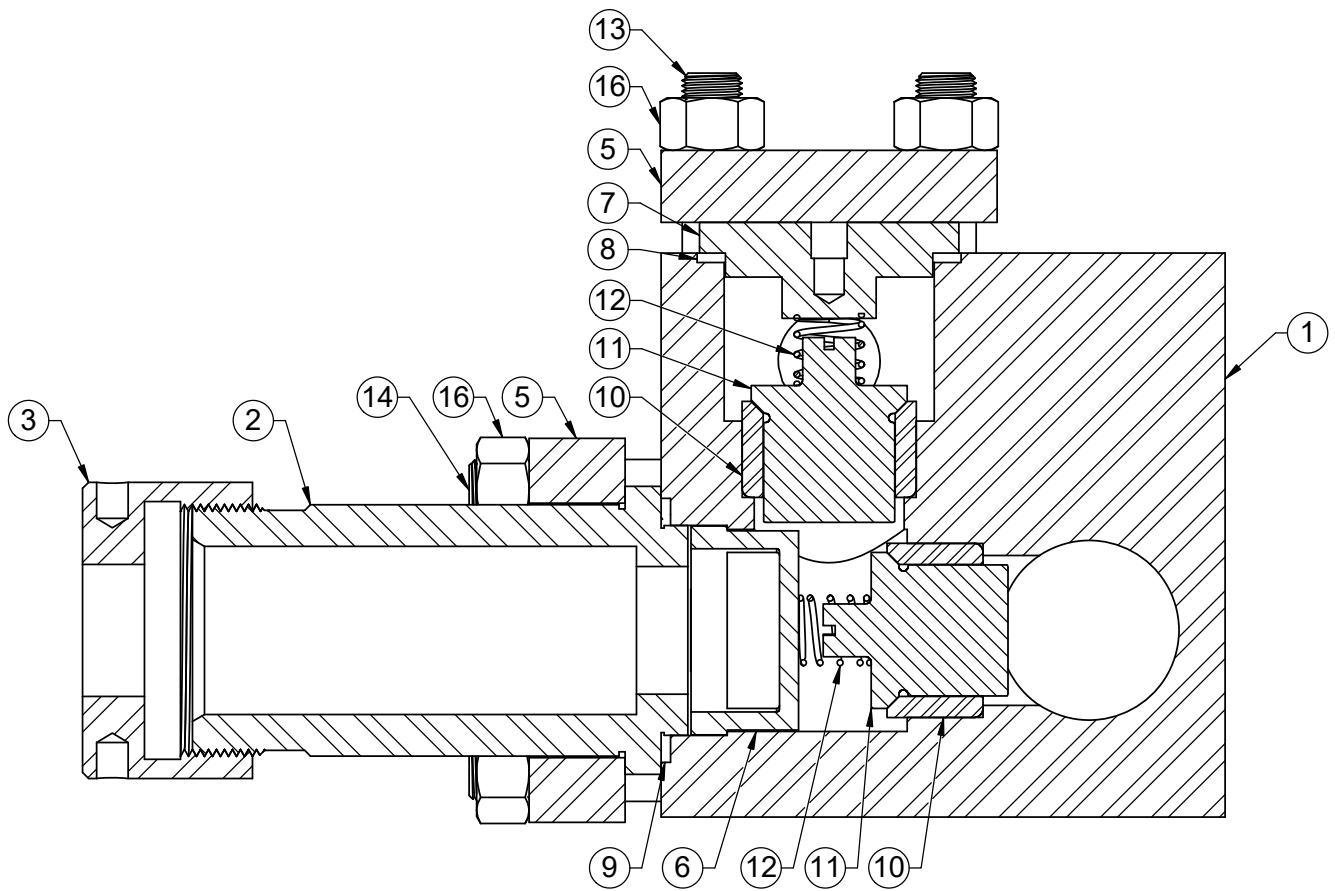


FIND #	DESCRIPTION	PART NUMBER	QTY
1	STUDDED FLUID END (NPT/SOCKET)	B301D0660800/B301D0660801	1
2	STUFFING BOX 2.00-1.750 (NONE LUBE/LUBE)	B337B0609600/B337B0609601	2
3	GLAND NUT 2.00-1.75	B338B0765400	2
4	STUFFING BOX FLANGE	B366B0821200	1
5	VALVE COVER	B317B0822000	1
6	SUCTION STOP	B369B0766300	2
7	DISCHARGE STOP	B370B0827900	2
8	DISCHARGE GASKET (SYNTHETIC/COPPER)	B617A0620002/B617A0620002-1	2
9	STUFFING BOX GASKET	B9410A23100M	2
10	SUCTION SEAT	B322B0824800	2
11	SUCTION VALVE BODY	B320B0766200	2
12	SUCTION SPRING	B334B0717629	2
13	DISCHARGE SEAT	B322B0809000	2
14	DISCHARGE VALVE BODY	B320B0792300	2
15	DISCHARGE SPRING	B334B0634701	2
16	VALVE COVER STUD	B824A0156910	REF (6)
17	STUFFING BOX STUD	B824A0156911	REF (6)
18	CYLINDER TIE STUD	B824A0156914	REF (2)
19	VALVE COVE/CYLINDER TIE NUT	134-058018-286	REF (14)

NOTES:

- ITEM 18 IS NOT SHOWN
- THESE ARE THE CARBON STEEL OPTION PART NUMBERS ONLY. STAINLESS STEEL, DUPLEX STAINLESS STEEL AND BRONZE ARE AVAILABLE ON SOME PARTS.
- FOR PACKING OPTIONS CONTACT NOV

NOV NATIONAL OILWELL VARCO	
<small>HOUSTON, TEXAS, U.S.A. ENGINEERING, TULSA, OKLAHOMA</small>	
TITLE: PARTS LIST CX-5L FLUID END	
DWG No: BPL005LFE	REV: A SHEET: 1 OF 1

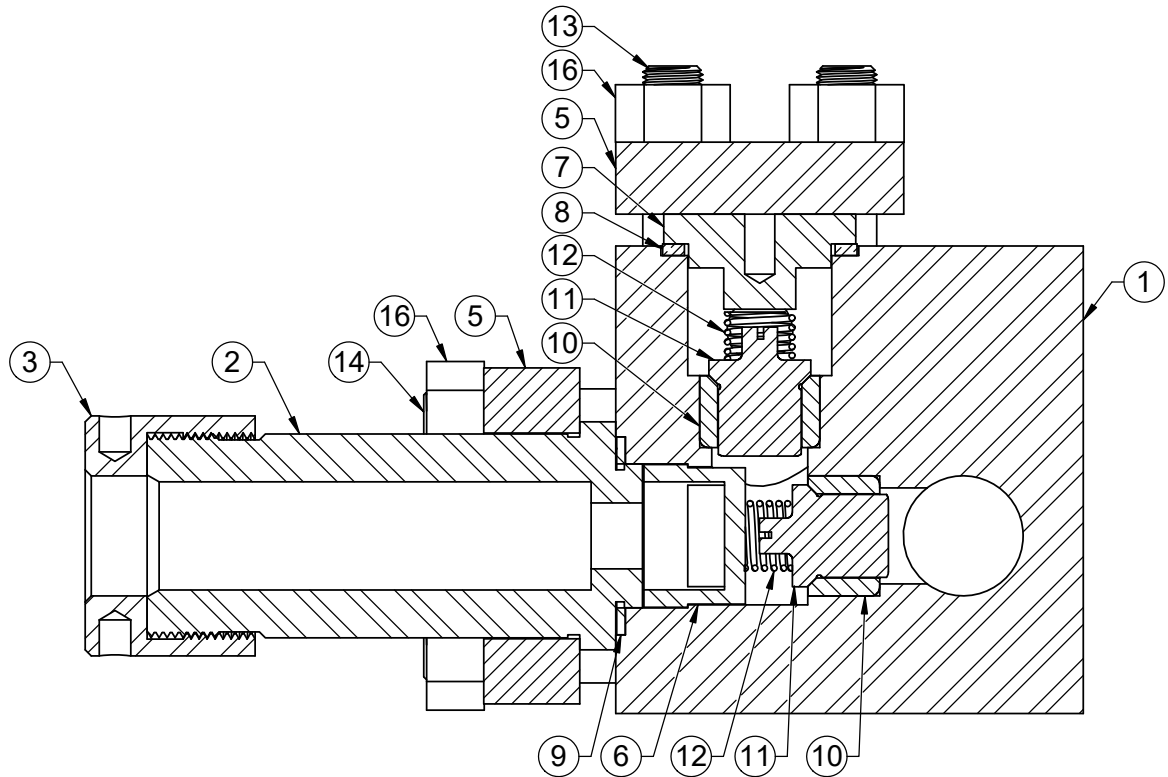


FIND #	DESCRIPTION	PART NUMBER	REQ'D
1	STUDED FLUID END (NPT/SOCKET)	B301D0674300/B301D0674301	1
2	STUFFING BOX 1.625-1.375 (NONE LUBE/LUBE)	B337B0611600/B337B0611601	2
	STUFFING BOX 1.250-1.125 (NONE LUBE/LUBE)	B337B0613600/B337B0613601	
3	GLAND NUT 1.625-1.375	B338B0839302	2
	GLAND NUT 1.250-1.125	B338B0839301	
4	STUFFING BOX FLANGE	B366B0821300	1
5	VALVE COVER	B317B0822000	1
6	SUCTION STOP	B369B0826400	2
7	DISCHARGE STOP	B370A0604800	2
8	DISCHARGE GASKET (SYNTHETIC/COPPER)	B617A0620002/B617A0620002-1	2
9	STUFFING BOX GASKET	B622B0647504	2
10	VALVE SEAT	B322B0809000	4
11	VALVE BODY	B320B0792300	4
12	VALVE SPRING	B334B0634701	4
13	VALVE COVER STUD	B824A0156910	REF (6)
14	STUFFING BOX STUD	B824A0156911	REF (6)
15	CYLINDER TIE STUD	B824A0156914	REF (2)
16	VALVE COVER/CYLINDER TIE/STUFFING BOX FLANG NUT	134-058018-286	REF (14)

NOTES:

- ITEM 15 NOT SHOWN
- THESE ARE THE CARBON STEEL OPTION PART NUMBERS ONLY. STAINLESS STEEL, DUPLEX STAINLESS STEEL AND BRONZE ARE AVAILABLE ON SOME PARTS.
- FOR PACKING OPTIONS CONTACT NOV

NOV NATIONAL OILWELL VARGO	
<small>HOUSTON, TEXAS, U.S.A.</small>	<small>ENGINEERING, TULSA, OKLAHOMA</small>
TITLE: PART LIST CX-5M FLUID END	
<small>DWG No:</small> BPL005FE	<small>REV:</small> A <small>SHT:</small> 1 OF 1

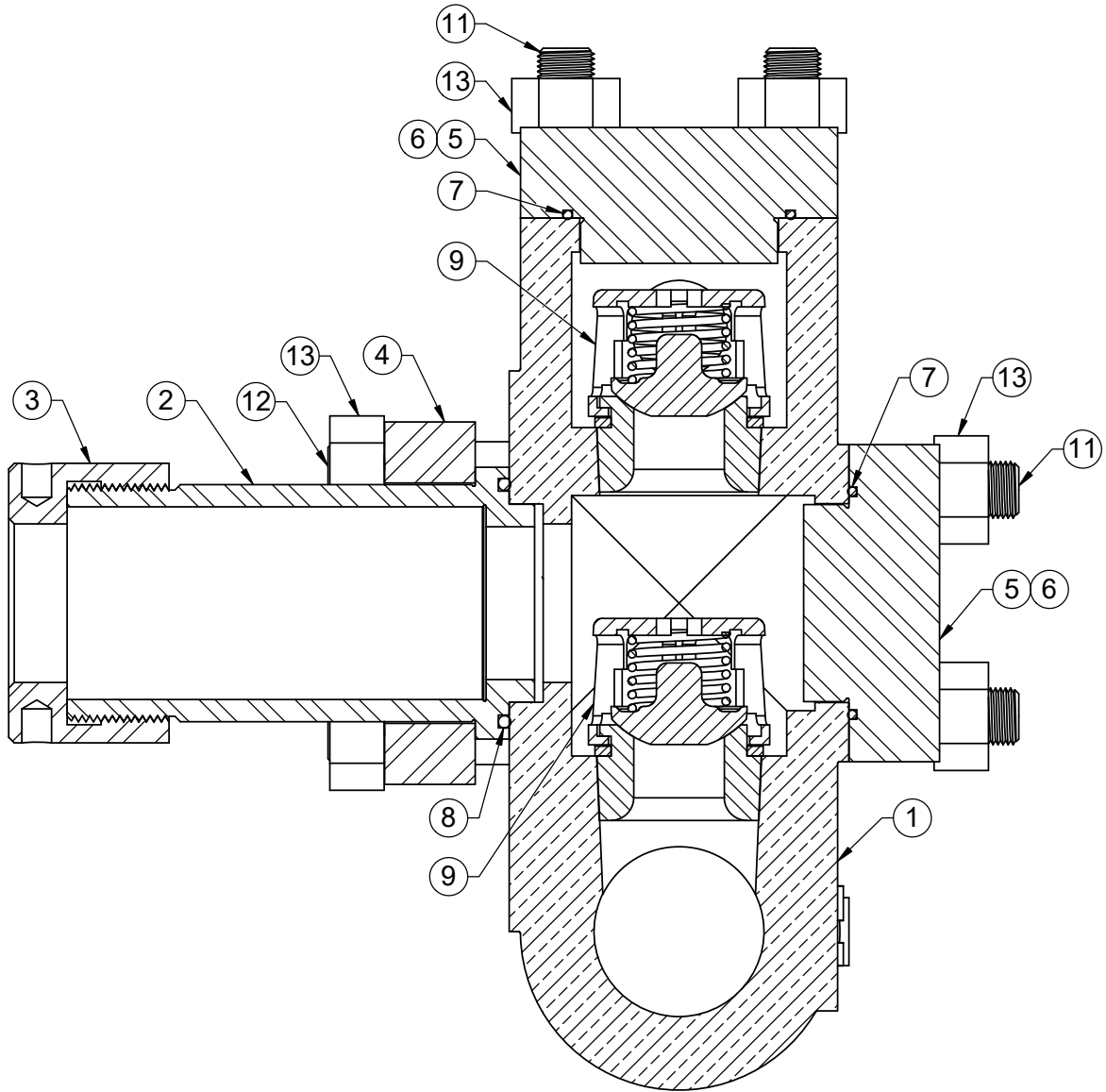


FIND #	DESCRIPTION	PART NUMBER	REQ'D
1	STUDDED FLUID END (NPT/SOCKET)	B301D0674200/B301D0674201	1
2	STUFFING BOX 1.000-.750 (NONE LUBE/LUBE)	B337B0612900/B337B0612901	2
	STUFFING BOX .625-.500 (NONE LUBE/LUBE)	B337B0628900/B337B0628901	
3	GLAND NUT 1.000-.750	B338B0839200	2
	GLAND NUT .625-.500	B338B0837600	
4	STUFFING BOX FLANGE	B366B0823200	1
5	VALVE COVER	B317B0823100	1
6	SUCTION STOP	B369B0826300	2
7	DISCHARGE STOP	B370A0604700	2
8	DISCHARGE GASKET (SYNTHETIC/COPPER)	B617A0620001/B617A0620001-1	2
9	STUFFING BOX GASKET	B622B0647501	2
10	VALVE SEAT	B322B0824900	4
11	VALVE BODY	B320B0792200	4
12	VALVE SPRING	B334B0717615	4
13	VALVE COVER STUD	B824A0156910	REF (6)
14	STUFFING BOX STUD	B824A0156911	REF (6)
15	CYLINDER TIE STUD	B824A0156914	REF (2)
16	VALVE COVER/CYLINDER TIE/STUFFING BOX FLANG NUT	134-058018-286	REF (14)

NOTES:

1. ITEM 15 NOT SHOWN
2. THESE ARE THE CARBON STEEL OPTION PART NUMBERS ONLY. STAINLESS STEEL, DUPLEX STAINLESS STEEL AND BRONZE ARE AVAILABLE ON SOME PARTS.
3. FOR PACKING OPTIONS CONTACT NOV

NOV NATIONAL OILWELL VARGO	
<small>HOUSTON, TEXAS, U.S.A. ENGINEERING, TULSA, OKLAHOMA</small>	
TITLE: PARTS LIST CX-5H FLUID END	
DWG No: BPL005HFE	REV: A SHE: 1 OF 1

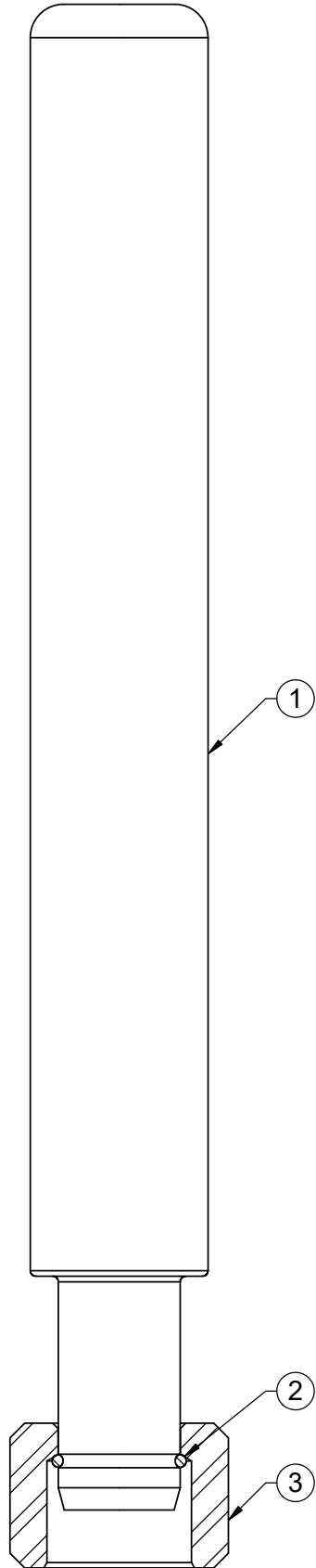


FIND #	DESCRIPTION	PART NUMBER	REQ'D
1	STUDED FLUID END (NPT/SOCKET)	B301B0121401/B301B0121402	1
2	STUFFING BOX 1.625-1.375 (NONE LUBE/LUBE)	B337A0221430/B337A0221431	2
	STUFFING BOX 1.250-1.125 (NONE LUBE/LUBE)	B337A0221230/B337A0221231	
3	GLAND NUT 1.625-1.375	B338B0839302	2
	GLAND NUT 1.250-1.125	B338B0839301	
4	STUFFING BOX FLANGE	B366B0821300	1
5	VALVE COVER, OVER	B317B0854500	2
6	VALVE COVER, UNDER	B317B0854600	2
7	VALVE COVER O-RING (BUNA/VITON)	110-000142-200/110-000142-599	4
8	STUFFING BOX O-RING (BUNA/VITON)	110-000230-200/110-000230-599	2
9	VALVE ASSEMBLY	179150025SD	4
10	CYLINDER TIE STUDS	B824A0156914	REF (2)
11	VALVE COVER STUDS	B824A0156910	REF (12)
12	STUFFING BOX STUDS	B824A0156911	REF (6)
13	VALVE COVER/CYLINDER TIE NUT	134-058018-286	REF (20)

NOTES:

1. ITEM 10 NOT SHOWN
2. THESE ARE THE CARBON STEEL OPTION PART NUMBERS ONLY. STAINLESS STEEL, DUPLEX STAINLESS STEEL AND BRONZE ARE AVAILABLE ON SOME PARTS.
3. FOR PACKING OPTIONS CONTACT NOV

NOV NATIONAL OILWELL VARGO	
HOUSTON, TEXAS, U.S.A.	ENGINEERING, TULSA, OKLAHOMA
PARTS LIST CX-5MC FLUID END	
DWG No: BPL005MCFE	REV: A SH: 1 OF 1



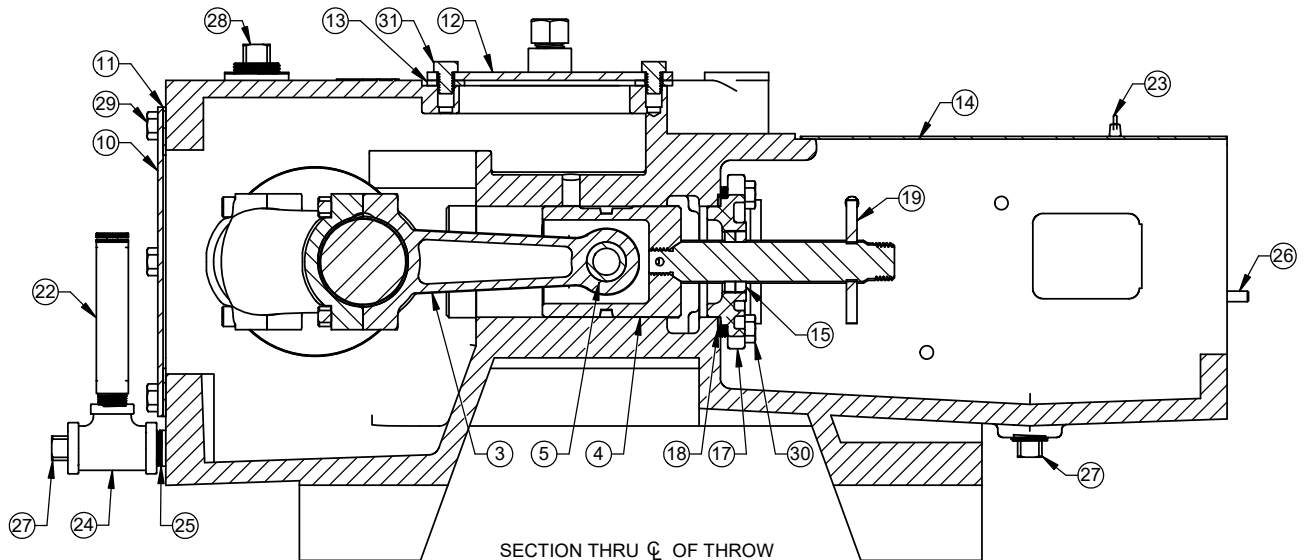
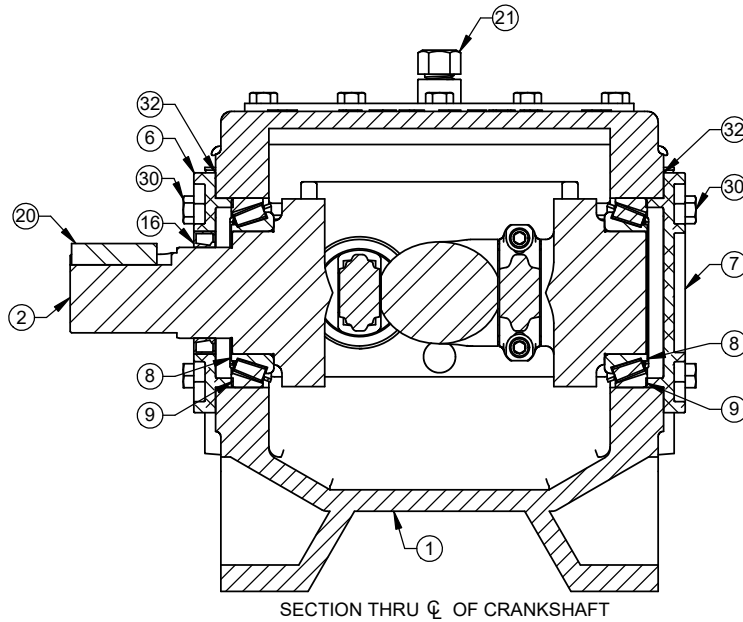
FIND #	DIAMETER	PART NUMBER	REQ'D
1	.375	B352B0639105	2
	.500	B352B0639103	
	.625	B352B0639101	
	.750	B352B0837902	
	.875	B352B0837904	
	1.000	B352B0837906	
	1.125	B352B0837801	
	1.250	B352B0837803	
	1.375	B352B0837805	
	1.500	B352B0837807	
	1.625	B352B0837809	
	1.750	B352B0766001	
	1.875	B352B0766002	
2.000	B352B0766003		
2	N/A	B9125D3290BH	REF
3	N/A	B125A0788600	REF

MATERIAL SUFIX		
SUFIX	COATING	BASE MATERIAL
NONE	COLMONOY	CARBON STEEL
T	TUNGSTUN CARBIDE	STAINLESS STEEL
C	CERAMIC	STAINLESS
R	CHROME OXIDE	STAINLESS STEEL
W	WALLEX	STAINLESS STEEL
S	COLMONOY	STAINLESS STEEL

NOTES:

1. ITEM 2 AND 3 ARE INCLUDED IN ITEM 1
2. TO DESIGNATE MATERIAL THE SUFIX GETS ADDED TO THE END OF THE PART

NOV NATIONAL OILWELL VARGO		
<small>HOUSTON, TEXAS, U.S.A. ENGINEERING, TULSA, OKLAHOMA</small>		
TITLE: PARTS LIST CX-5 PLUNGERS		
DWG No:	REV: A	SHT: 1 of 1



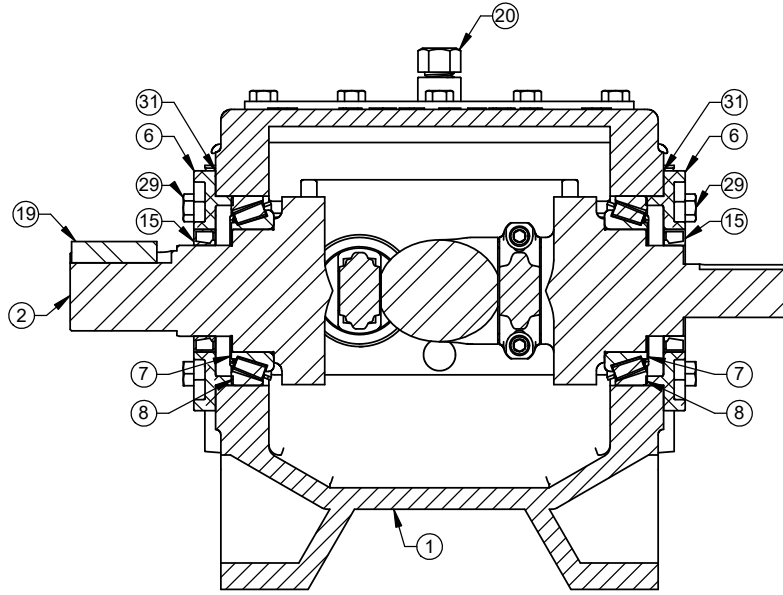
FIND #	DESCRIPTION	MX-3 PART #	REQ'D
1	POWER FRAME	B100D0604000	1
2	CRANKSHAFT	B103C0622600	1
3	CONNECTING ROD ASSEMBLY	B100401	2
4	CROSSHEAD ASSEMBLY	B100402	2
5	WRIST PIN	B119A0796700	2
6	CRANKSHAFT FRAME CAP, INBOARD	B132D07021B0	1
7	CRANKSHAFT FRAME CAP, OUTBOARD	B132D0702100	1
8	CONE, CRANKSHAFT BEARING	B9610BECA041	2
9	CUP, CRANKSHAFT BEARING	B9610CECA001	2
10	COVER, CRANKCASE	B154B0807400	1
11	GASKET, CRANKSHAFT	B620B0822600	1
12	COVER, INSPECTION	B153B0502800	1
13	GASKET, INSPECTION	B621B0502800	1
14	COVER, PLUNGERS	B152B0840000	1
15	CROSSHEAD STUB OIL SEAL	B94111000103	4
16	OIL SEAL CRANKSHAFT	B94111000127	1
17	WIPER BOX	B141C1015700	2
18	GASKET, CROSSHEAD STUB SEAL	B623A0619501	2

FIND #	DESCRIPTION	MX-3 PART #	REQ'D
19	DEFLECTOR	B123A0789000	2
20	KEY	B811B0323104	1
21	BREATHER	B9514B1D0000	1
22	OIL LEVEL INDICATOR	B9513ECAB0BB	1
23	THUMB SCREW	B9136A0404A1	2
24	REDUCING TEE	B9205BAA4ED8	1
25	NIPPLE	B920104A00D5	1
26	HARDENED STEEL PIN	B912125006A2	2
27	PLUG 1/2" SQUARE HEAD	170-012004-220	2
28	PLUG 3/4" SQUARE HEAD	170-034004-220	1
29	HEX HEAD CAP SCREW	100-038012-290	8
30	HEX HEAD CAP SCREW	100-038100-290	12
31	HEX HEAD CAP SCREW	100-038034-290	12
32	SHIM SET	B011804	1
33	PUMP TAG	PTAG-300	1
34	DRIVE SCREW	126-006516-405	4

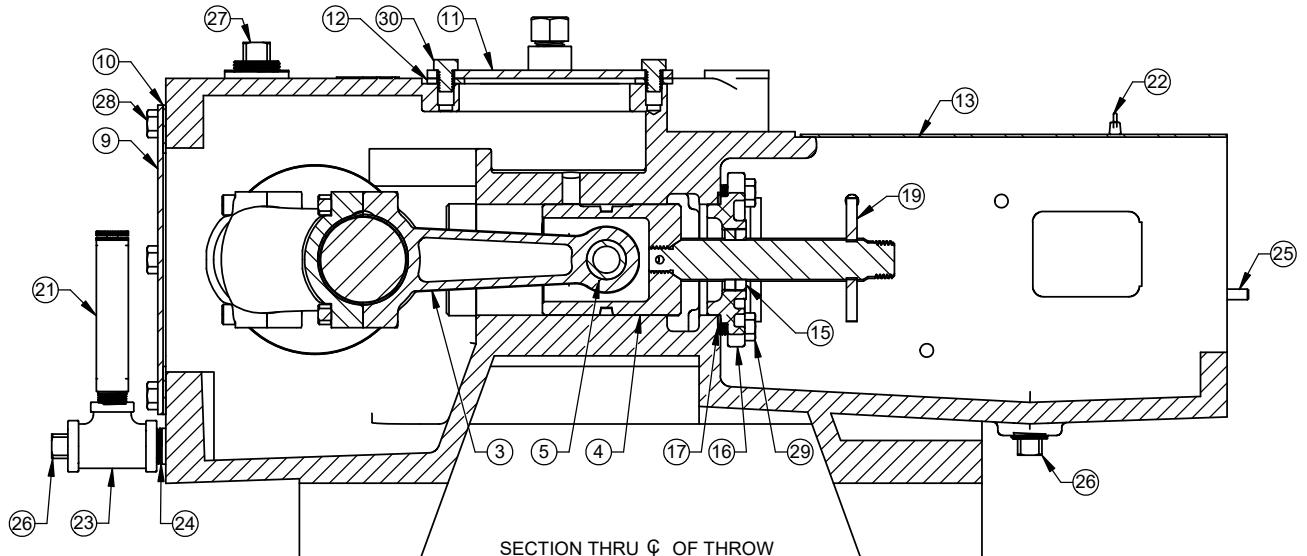
NOTES:

- ITEMS 33 AND 34 ARE NOT SHOWN.
- LEFT HAND DRIVE SHOWN, FOR RIGHT HAND DRIVE SWITCH SHAFT TO OTHER SIDE.

NOV NATIONAL OILWELL VARGO	
<small>HOUSTON, TEXAS, U.S.A. ENGINEERING, TULSA, OKLAHOMA</small>	
TITLE: PARTS LIST CX-5 POWER END	
DWG. No: BPL005PE	REV: A SHEET: 1 OF 1



SECTION THRU ϕ OF CRANKSHAFT



SECTION THRU ϕ OF THROW

FIND #	DESCRIPTION	MX-3 PART #	REQ'D
1	POWER FRAME	B100D0604000	1
2	CRANKSHAFT	B103C0622692	1
3	CONNECTING ROD ASSEMBLY	B100401	2
4	CROSSHEAD ASSEMBLY	B100402	2
5	WRIST PIN	B119A0796700	2
6	CRANKSHAFT FRAME CAP. INBOARD	B132D07021B0	2
7	CONE, CRANKSHAFT BEARING	B9610BECA041	2
8	CUP, CRANKSHAFT BEARING	B9610CECA001	2
9	COVER, CRANKCASE	B154B0807400	1
10	GASKET, CRANKSHAFT	B620B0822600	1
11	COVER, INSPECTION	B153B0502800	1
12	GASKET, INSPECTION	B621B0502800	1
13	COVER, PLUNGERS	B152B0840000L	1
14	CROSSHEAD STUB OIL SEAL	B94111000103	4
15	OIL SEAL, CRANKSHAFT	B94111000127	2
16	WIPER BOX	B141C1015700	2
17	GASKET, CROSSHEAD STUB SEAL	B623A0619501	2

FIND #	DESCRIPTION	MX-3 PART #	REQ'D
18	DEFLECTOR	B123A0789000	2
19	KEY	B811B0323104	1
20	BREATHER	B9514B1D0000	1
21	OIL LEVEL INDICATOR	B9513ECAB0BB	1
22	THUMB SCREW	B9136A0404A1	2
23	REDUCING TEE	B9205BAA4ED8	1
24	NIPPLE	B920104A00D5	1
25	HARDEND STEEL PIN	B912125006A2	2
26	PLUG 1/2" SQUARE HEAD	170-012004-220	2
27	PLUG 3/4" SQUARE HEAD	170-034004-220	1
28	HEX HEAD CAP SCREW	100-038012-290	8
29	HEX HEAD CAP SCREW	100-038100-290	12
30	HEX HEAD CAP SCREW	100-038034-290	12
31	SHIM SET	B011804	1
32	PUMP TAG	PTAG-300	1
33	DRIVE SCREW	126-006516-405	4

NOTES:

- ITEMS 33 AND 34 ARE NOT SHOWN.
- LEFT HAND DRIVE SHOWN, FOR RIGHT HAND DRIVE SWITCH SHAFT TO OTHER SIDE.

NOV NATIONAL OILWELL VARGO	
<small>HOUSTON, TEXAS, U.S.A. ENGINEERING, TULSA, OKLAHOMA</small>	
TITLE: PARTS LIST	
CX-5	
POWER END WITH AUX SHAFT	
DWG. No: BPL005PEA	REV: A SHEET: 1 OF 1