

BX-10

BD-28

**BEAR™ Reciprocating
Plunger Pump
Parts List**

Material Options for Fluid End Parts:
 The suffix of the part number determines the material.

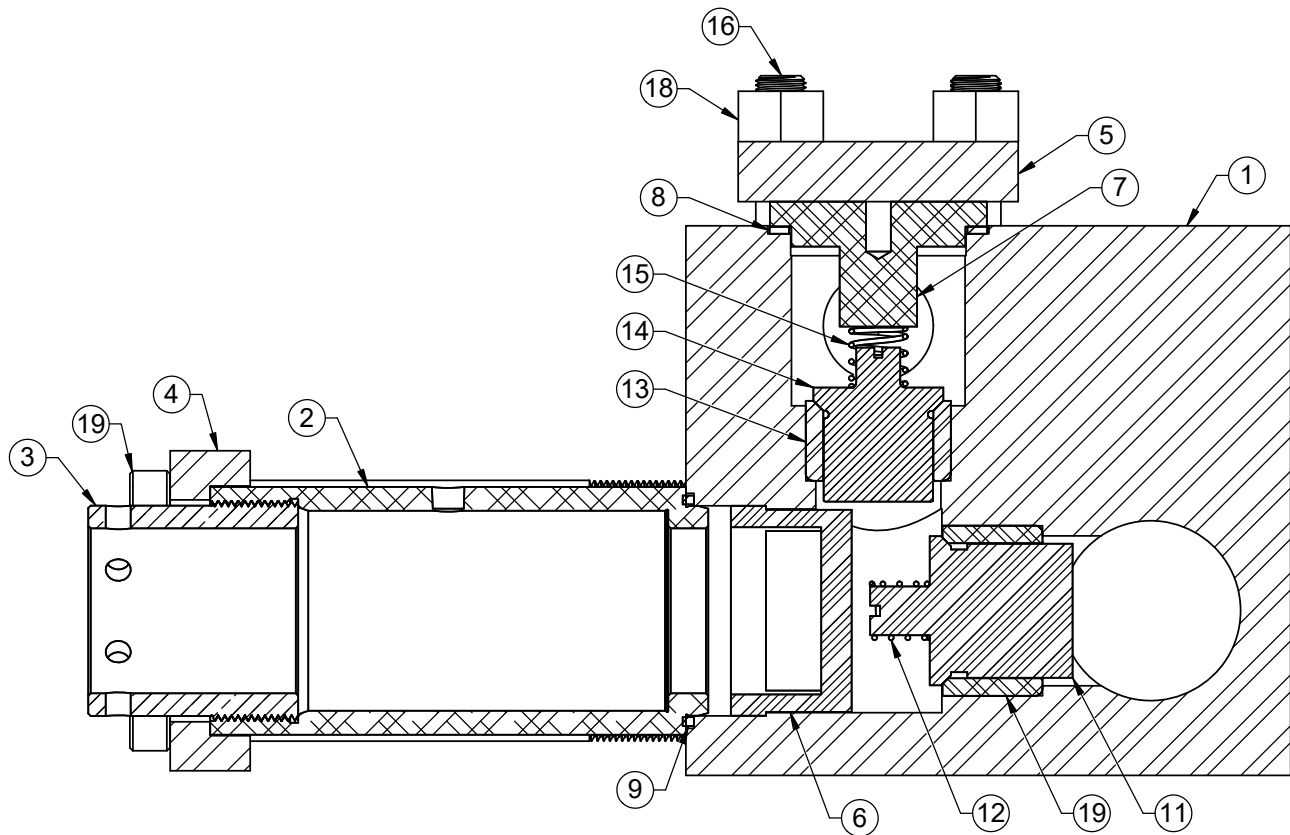
Part Number Suffix:

- None= Carbon Steel
- S= Stainless Steel
- D1= Super Duplex Stainless Steel
- B7= Bronze
- P= Peek

	Material Options			
	Carbon Steel	Stainless Steel	Super Duplex Stainless Steel	Bronze
Forged Fluid End	X	X		
Casted Fluid End	X		X	
Stuffing Box	X	X	X	
Gland Nut	X	X	X	X
Stuffing Box Flange	X	X	X	
Valve Covers	X	X	X	
Suction Stop	X	X	X	
Discharge Stop	X	X	X	
Suction Manifold	X	X	X	
Discharge Manifold	X	X	X	

Example:

B123A456789 is a made-up part number. B123A456789S would be the stainless steel version of that part.

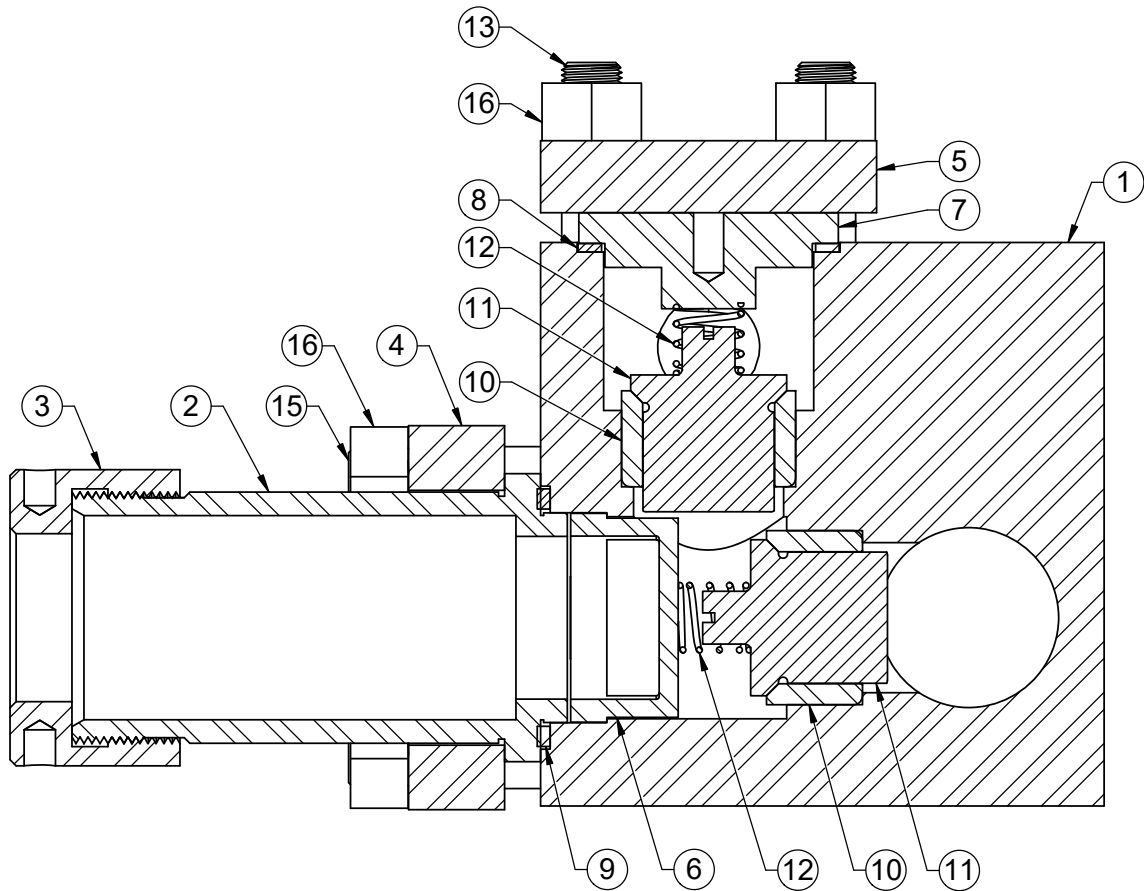


FIND #	DESCRIPTION	PART NUMBER	QTY
1	STUDED FLUID END (NPT/SOCKET)	B301D0652100/B301D0652101	1
2	STUFFING BOX 2.00-1.750 (NONE LUBE/LUBE)	B337B0609700/B337B0609701	3
3	GLAND NUT 2.00-1.75	B338A0222040	3
4	STUFFING BOX FLANGE	B366A0222020	1
5	VALVE COVER	B317B0823500	1
6	SUCTION STOP	B369B0766300	3
7	DISCHARGE STOP	B370B0827900	3
8	DISCHAGE GASKET (SYNTHETIC/COPPER)	B617A0620002/B617A0620002-1	3
9	STUFFING BOX GASKET	B9410A23100M	3
10	SUCTION SEAT	B322B0824800	3
11	SUCTION VALVE BODY	B320B0766200	3
12	SUCTION SPRING	B334B0717629	3
13	DISCHARGE SEAT	B322B0809000	3
14	DISCHARGE VALVE BODY	B320B0792300	3
15	DISCHARGE SPRING	B334B0634701	3
16	VALVE COVER STUD	B824A0156910	REF (8)
17	CYLINDER TIE STUD	B824A0156914	REF (2)
18	VALVE COVE/CYLINDER TIE NUT	134-058018-286	REF (10)
19	STUFFING BOX SCREW	106-012700-290	REF (8)

NOTES:

- ITEM 17 IS NOT SHOWN
- THESE ARE THE CARBON STEEL OPTION PART NUMBERS ONLY. STAINLESS STEEL, DUPLEX STAINLESS STEEL AND BRONZE ARE AVAILABLE ON SOME PARTS.
- FOR PACKING OPTIONS CONTACT NOV

NOV NATIONAL OILWELL VARGO	
HOUSTON, TEXAS, U.S.A.	ENGINEERING, TULSA, OKLAHOMA
PARTS LIST BX-10L/BD-28L FLUID END	
DWG No: BPL010LFE	REV: A SH: 1 OF 1

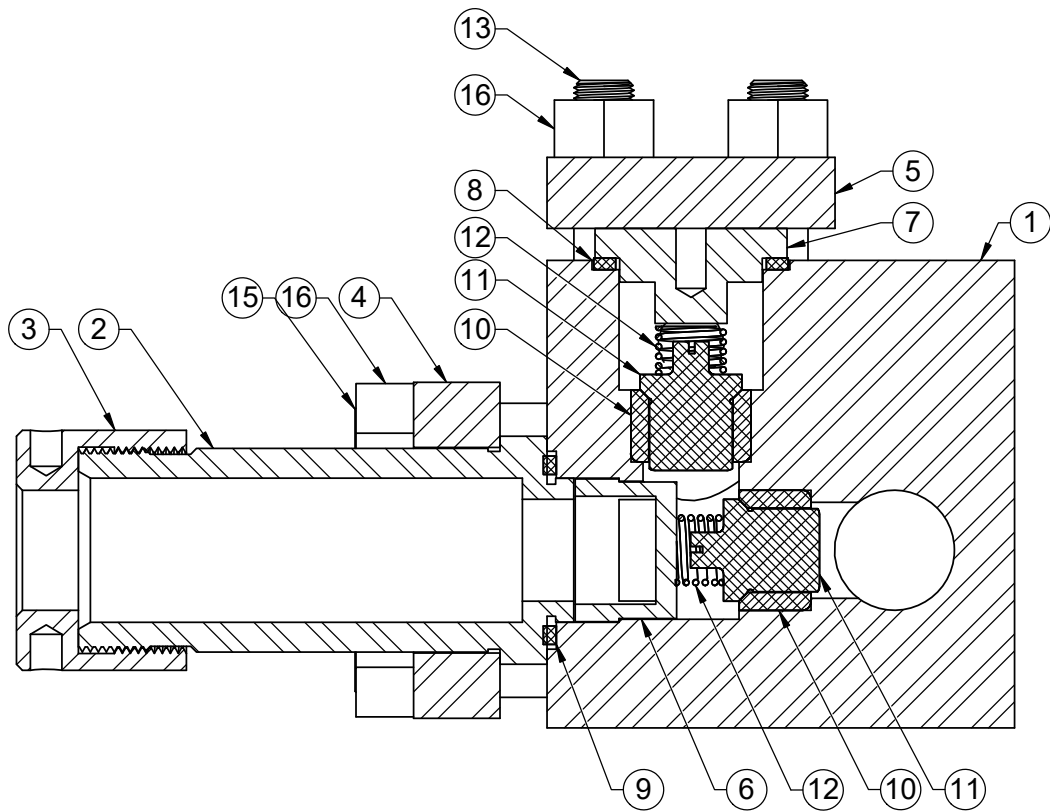


FIND #	DESCRIPTION	PART NUMBER	REQ'D
1	STUDED FLUID END (NPT/SOCKET)	B301D0674000/B301D0674001	1
2	STUFFING BOX 1.625-1.375 (NONE LUBE/LUBE)	B337B0611600/B337B0611601	3
	STUFFING BOX 1.250-1.125 (NONE LUBE/LUBE)	B337B0613600/B337B0613601	
3	GLAND NUT 1.625-1.375	B338B0839302	3
	GLAND NUT 1.250-1.125	B338B0839301	
4	STUFFING BOX FLANGE	B366B0822100	1
5	VALVE COVER	B317B0823500	1
6	SUCTION STOP	B369B0826400	3
7	DISCHARGE STOP	B370A0604800	3
8	DISCHARGE GASKET (SYNTHETIC/COPPER)	B617A0620002/B617A0620002-1	3
9	STUFFING BOX GASKET	B622B0647504	3
10	VALVE SEAT	B322B0809000	6
11	VALVE BODY	B320B0792300	6
12	SPRING	B334B0634701	6
13	VALVE COVER STUD	B824A0156910	REF (8)
14	CYLINDER TIE STUD	B824A0156914	REF (2)
15	STUFFING BOX FLANGE STUD	B824A0156911	REF (8)
16	VALVE COVE/CYLINDER TIE/STUFFING BOX NUT	134-058018-286	REF (18)

NOTES:

- ITEM 14 NOT SHOWN
- THESE ARE THE CARBON STEEL OPTION PART NUMBERS ONLY. STAINLESS STEEL, DUPLEX STAINLESS STEEL AND BRONZE ARE AVAILABLE ON SOME PARTS.
- FOR PACKING OPTIONS CONTACT NOV

NOV NATIONAL OILWELL VARGO	
<small>HOUSTON, TEXAS, U.S.A. ENGINEERING, TULSA, OKLAHOMA</small>	
TITLE: PARTS LIST BX-10M FLUID END	
DWG No: BPL010MFE	REV: A SHEET: 1 OF 1

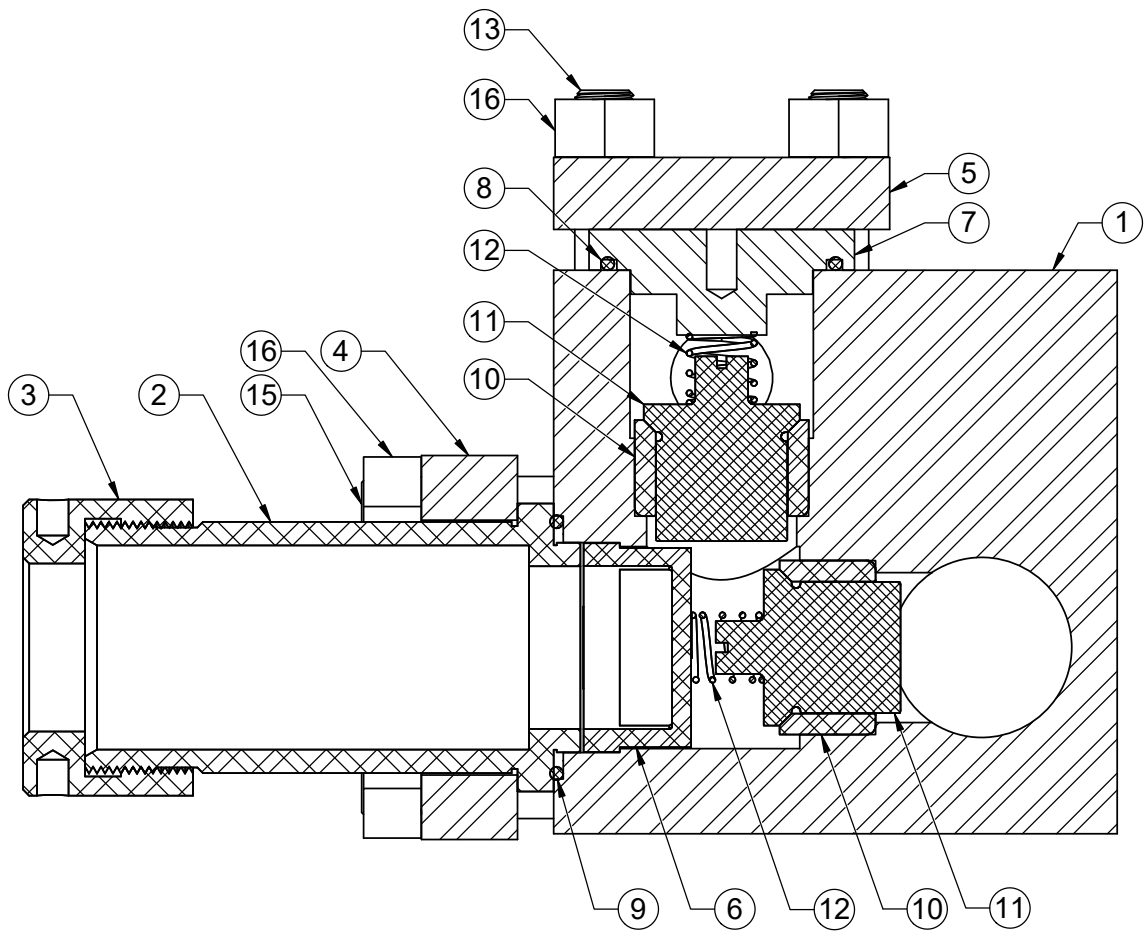


FIND #	DESCRIPTION	PART NUMBER	REQ'D
1	STUDED FLUID END (NPT/SOCKET)	B301D0673900/B301D0673940	1
2	STUFFING BOX 1.00-.750 (NONE LUBE/LUBE)	B337B0612900/B337B0612901	3
	STUFFING BOX .625-.500 (NONE LUBE/LUBE)	B337B0628900/B337B0628901	
3	GLAND NUT 1.00-.750	B338B0839200	3
	GLAND NUT .625-.500	B338B0837600	
4	STUFFING BOX FLANGE	B366B0822300	1
5	VALVE COVER	B317B0823300	1
6	SUCTION STOP	B369B0826300	3
7	DISCHARGE STOP	B370A0604700	3
8	DISCHARGE GASKET (SYNTHETIC/COPPER)	B617A0620001/B617A0639603	3
9	STUFFING BOX GASKET	B622B0647501	3
10	VALVE SEAT	B322B0824900	6
11	VALVE BODY	B320B0792200	6
12	SPRING	B334B0717615	6
13	VALVE COVER STUD	B824A0156910	REF (8)
14	CYLINDER TIE STUD	B824A0156914	REF (2)
15	STUFFING BOX FLANGE STUD	B824A0156911	REF (8)
16	VALVE COVE/CYLINDER TIE/STUFFING BOX NUT	134-058018-286	REF (18)

NOTES:

- ITEM 14 NOT SHOWN
- THESE ARE THE CARBON STEEL OPTION PART NUMBERS ONLY. STAINLESS STEEL, DUPLEX STAINLESS STEEL AND BRONZE ARE AVAILABLE ON SOME PARTS.
- FOR PACKING OPTIONS CONTACT NOV

NOV NATIONAL OILWELL VARCO	
<small>HOUSTON, TEXAS, U.S.A.</small>	<small>ENGINEERING, TULSA, OKLAHOMA</small>
TITLE: PARTS LIST BX-10H FLUID END	
<small>DWG NO:</small> BPL010HFE	<small>REV:</small> A <small>SHT:</small> 1 OF 1

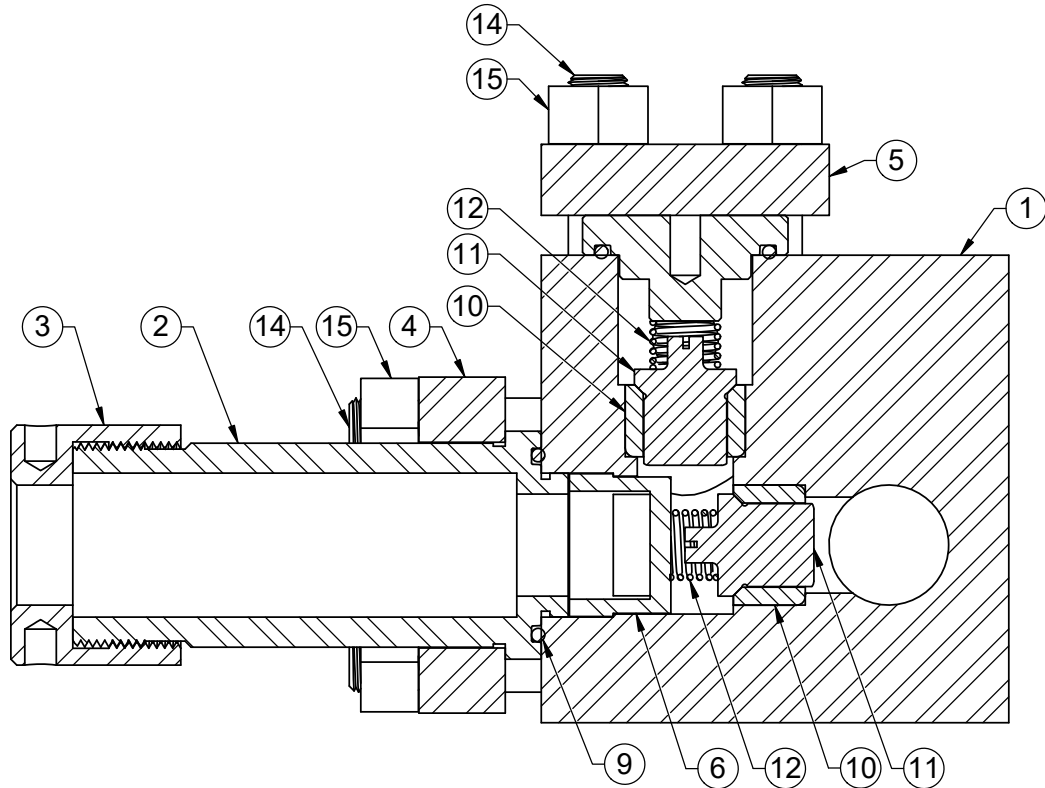


FIND #	DESCRIPTION	PART NUMBER	REQ'D
1	STUDED FLUID END (NPT/SOCKET)	B301D0712600/B301D0712602	1
2	STUFFING BOX 1.625-1.375 (NONE LUBE/LUBE)	B337A0221430/B337A0221431	3
	STUFFING BOX 1.250-1.125 (NONE LUBE/LUBE)	B337A0221230/B337A0221231	
3	GLAND NUT 1.625-1.375	B338B0839302	3
	GLAND NUT 1.250-1.125	B338B0839301	
4	STUFFING BOX FLANGE	B366B0822100	1
5	VALVE COVER	B317B0823500	1
6	SUCTION STOP	B369B0826400	3
7	DISCHARGE STOP	B370A0863500	3
8	DISCHARGE O-RING (BUNA/VITON)	110-000228-200/110-000228-599	3
9	STUFFING BOX O-RING (BUNA/VITON)	110-000230-200/110-000230-599	3
10	VALVE SEAT	B322B0809000	6
11	VALVE BODY	B320B0792300	6
12	VALVE SPRING	B334B0634701	6
13	VALVE COVER STUD	B824A0156910	REF (8)
14	CYLINDER TIE STUD	B824A0156914	REF (2)
15	STUFFING BOX FLANGE STUD	B824A0156911	REF (8)
16	VALVE COVER/CYLINDER TIE/STUFFING BOX FLANG NUT	134-058018-286	REF (18)

NOTES:

- ITEM 14 NOT SHOWN
- THESE ARE THE CARBON STEEL OPTION PART NUMBERS ONLY. STAINLESS STEEL, DUPLEX STAINLESS STEEL AND BRONZE ARE AVAILABLE ON SOME PARTS.
- FOR PACKING OPTIONS CONTACT NOV

NOV NATIONAL OILWELL VARGO	
<small>HOUSTON, TEXAS, U.S.A.</small>	<small>ENGINEERING, TULSA, OKLAHOMA</small>
TITLE: PARTS LIST BD-28M FLUID END	
<small>DWG No:</small> BPL028MFE	<small>REV:</small> A <small>SHT:</small> 1 of 1

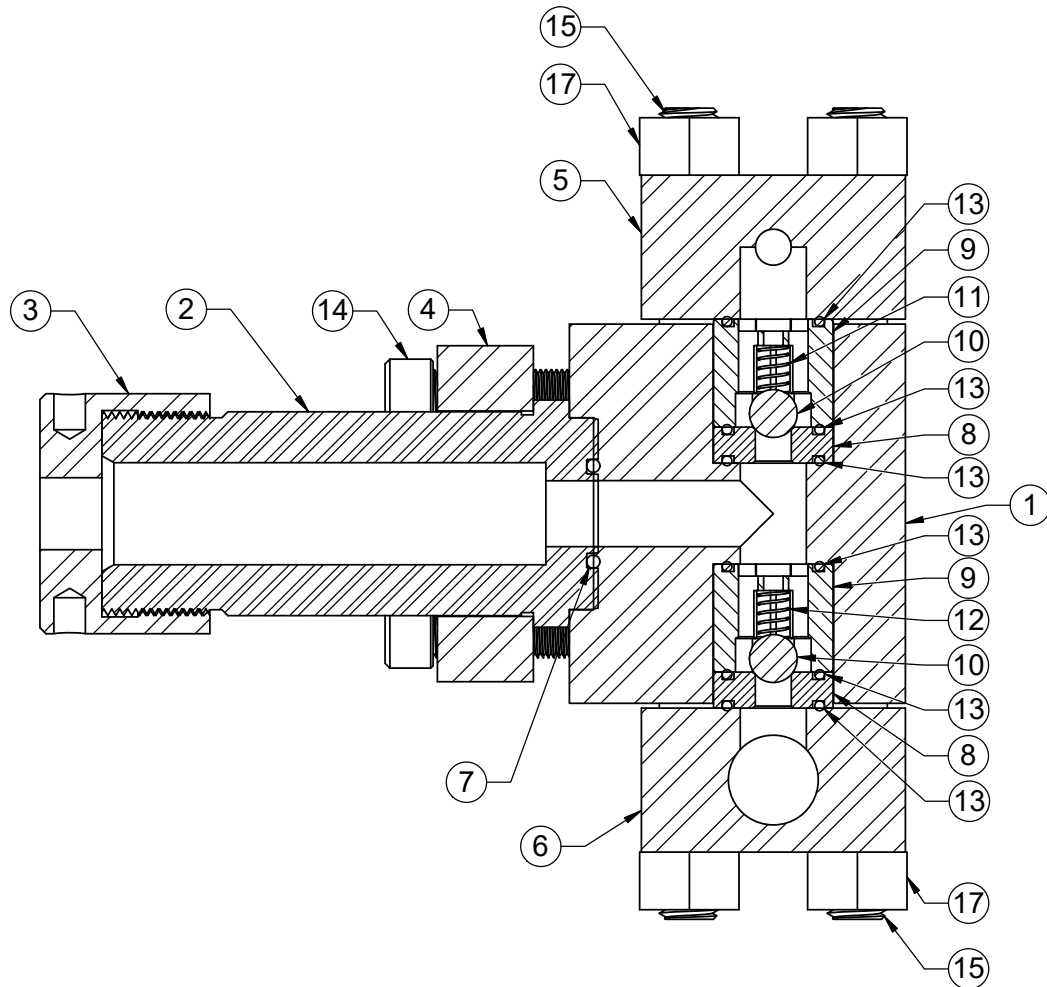


FIND #	DESCRIPTION	PART NUMBER	REQ'D
1	STUDED FLUID END (NPT/SOCKET)	B301D0726400/B301D0726401	1
2	STUFFING BOX 1.00-.750 (NONE LUBE/LUBE)	B337C1112200/B337C1112202	3
	STUFFING BOX .625-.500 (NONE LUBE/LUBE)	B337C1148600/B337C1148601	
3	GLAND NUT 1.00-.750	B338B0839200	3
	GLAND NUT .625-.500	B338B0837600	
4	STUFFING BOX FLANGE	B366B0822300	1
5	VALVE COVER	B317B0823300	1
6	SUCTION STOP	B369B0826300	3
7	DISCHARGE STOP	B370B1132900	3
8	DISCHARGE O-RING (BUNA/VITON)	110-000223-200/110-000223-599	3
9	STUFFING BOX O-RING (BUNA/VITON)	110-000224-200/110-000224-599	3
10	VALVE SEAT	B322B0824900	6
11	VALVE BODY	B320B0792200	6
12	VALVE SPRING	B334B0717615	6
13	CYLINDER TIE STUD	B824A0156914	REF (2)
14	VALVE COVER/STUFFING BOX FLANGE STUD	B824A0156911	REF (16)
15	VALVE COVER/CYLINDER TIE/STUFFING BOX NUT	134-058018-286	REF (18)

NOTES:

- ITEM 14 NOT SHOWN
- THESE ARE THE CARBON STEEL OPTION PART NUMBERS ONLY. STAINLESS STEEL, DUPLEX STAINLESS STEEL AND BRONZE ARE AVAILABLE ON SOME PARTS.
- FOR PACKING OPTIONS CONTACT NOV

NOV NATIONAL OILWELL VARGO	
<small>HOUSTON, TEXAS, U.S.A. ENGINEERING, TULSA, OKLAHOMA</small>	
TITLE: PARTS LIST BD-28H FLUID END	
DWG No: BPL028HFE	REV: A SHT: 1 OF 1

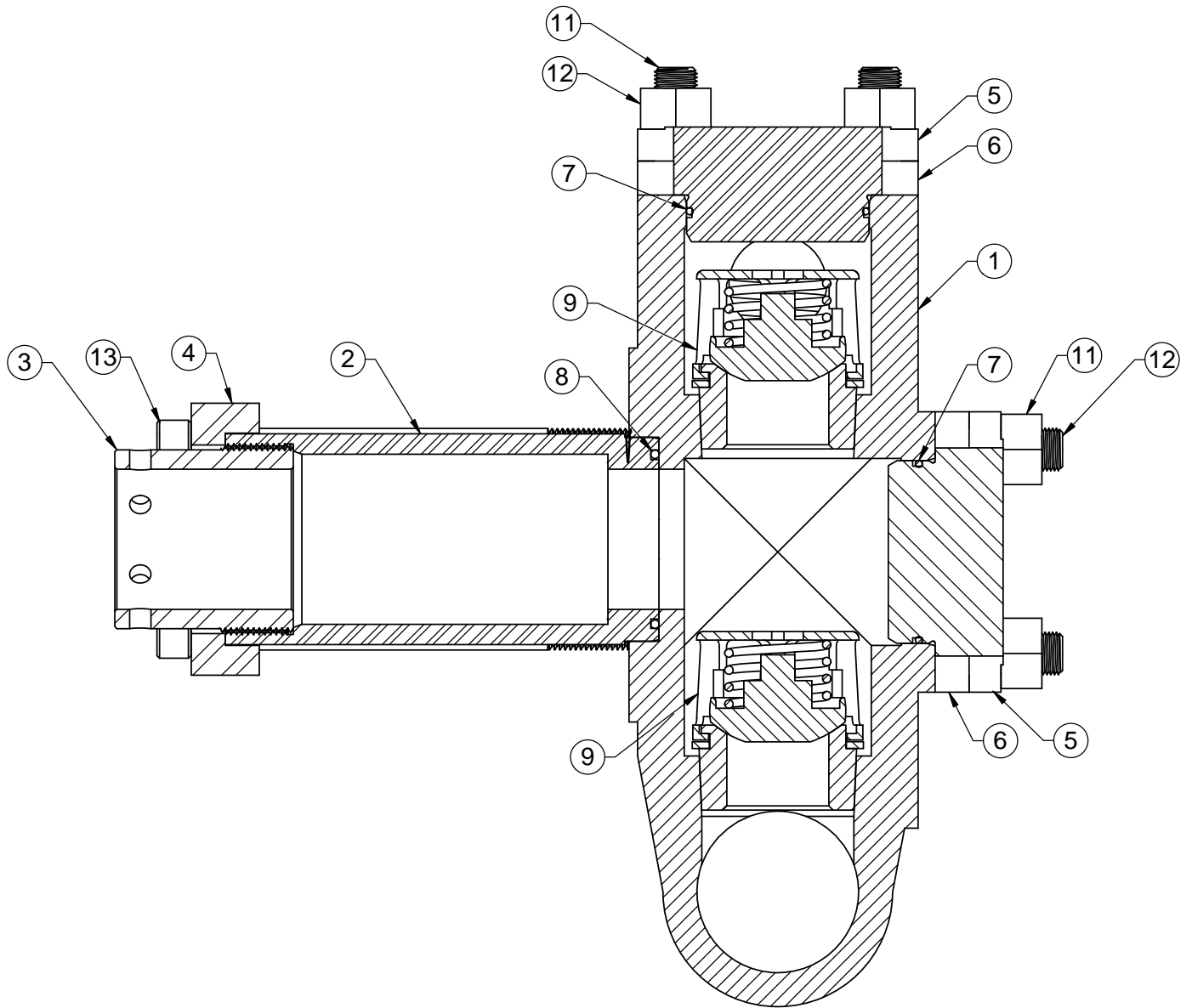


FIND #	DESCRIPTION	PART NUMBER	REQ'D
1	STUDED FLUID END	B301A0281500	1
2	STUFFING BOX .625-.375 (NONE LUBE/LUBE)	B337A0281502/B337A0281503	3
3	GLAND NUT .625-.375	B338B0837600	3
4	STUFFING BOX FLANGE	B366A0281508	1
5	DISCHARGE MANIFOLD (NPT/SOCKET)	B360A0281502/B360A0281504	1
6	SUCTION MANIFOLD (NPT/SOCKET)	B359A0281501/B359A0281503	1
7	STUFFING BOX O-RING (BUNA/FEPM)	110-000212-200/110-000212-519	3
8	VALVE SEAT	B322A0281506	6
9	VALVE CAGE	B322A0281507	6
10	BALL VALVE	AP33315	6
11	DISCHARGE VALVE SPRING	B334A0281509	3
12	SUCTION VALVE SPRING	B334A0281510	3
13	VALVE O-RING (BUNA/FEPM)	110-000118-200/110-000118-519	18
14	STUFFING BOX FLANGE STUD	106-012200-290	REF (12)
15	MANIFOLD STUDS	B824A0156912	REF (16)
16	CYLINDER TIE STUD	B824A0156914	REF (2)
17	MANIFOLD/CYLINDER TIE NUT	134-058018-286	REF (18)

NOTES:

- ITEM 16 NOT SHOWN
- THESE ARE THE CARBON STEEL OPTION PART NUMBERS ONLY. STAINLESS STEEL, DUPLEX STAINLESS STEEL AND BRONZE ARE AVAILABLE ON SOME PARTS.
- FOR PACKING OPTIONS CONTACT NOV

NOV NATIONAL OILWELL VARGO	
<small>HOUSTON, TEXAS, U.S.A. ENGINEERING, TULSA, OKLAHOMA</small>	
TITLE: PARTS LIST BD-28J FLUID END	
DWG No: BPL028UFE	REV: A SHT: 1 OF 1

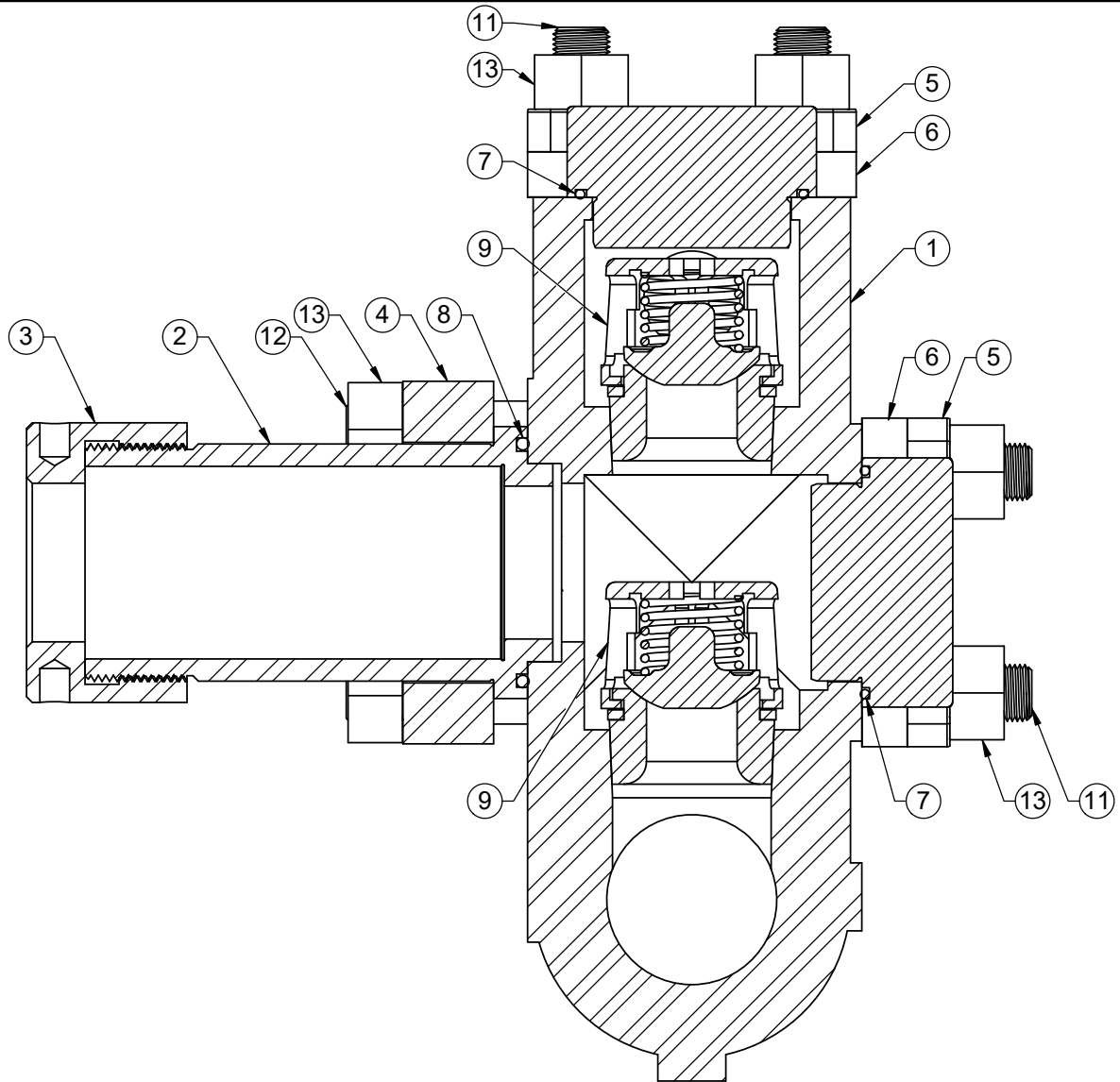


FIND #	DESCRIPTION	PART NUMBER	REQ'D
1	STUDDED FLUID END (NPT/SOCKET)	B301B0222001/B301B0222003	1
2	STUFFING BOX 2.00-1.75 (NONE LUBE/LUBE)	B337A0222030/B337A0222031	3
3	GLAND NUT 2.00-1.75	B338A0222040	3
4	STUFFING BOX FLANGE	B366A0222020	1
5	VALVE COVER, OUTER	B317A0222020	4
6	VALVE COVER, CENTER	B317A0222030	2
7	VALVE COVER O-RING (BUNA/VITON)	110-000144-200/110-000144-599	6
8	STUFFING BOX O-RING (BUNA/VITON)	110-000230-200/110-000230-599	3
9	VALVE ASSEMBLY	179100025W	6
10	CYLINDER TIE STUDS	B824A0156914	REF (2)
11	VALVE COVER STUDS	B824A0156910	REF (16)
12	VALVE COVER/CYLINDER TIE NUT	134-058018-286	REF (18)
13	STUFFING BOX CAP SCREWS	105-012700-290	REF (8)

NOTES:

1. ITEM 10 NOT SHOWN
2. THESE ARE THE CARBON STEEL OPTION PART NUMBERS ONLY. STAINLESS STEEL, DUPLEX STAINLESS STEEL AND BRONZE ARE AVAILABLE ON SOME PARTS.
3. FOR PACKING OPTIONS CONTACT NOV

NOV NATIONAL OILWELL VARGO	
<small>HOUSTON, TEXAS, U.S.A. ENGINEERING, TULSA, OKLAHOMA</small>	
TITLE: PARTS LIST BX-10/BD-28LC FLUID END	
DWG No: BPL028LCFE	REV: A SHEET: 1 OF 1

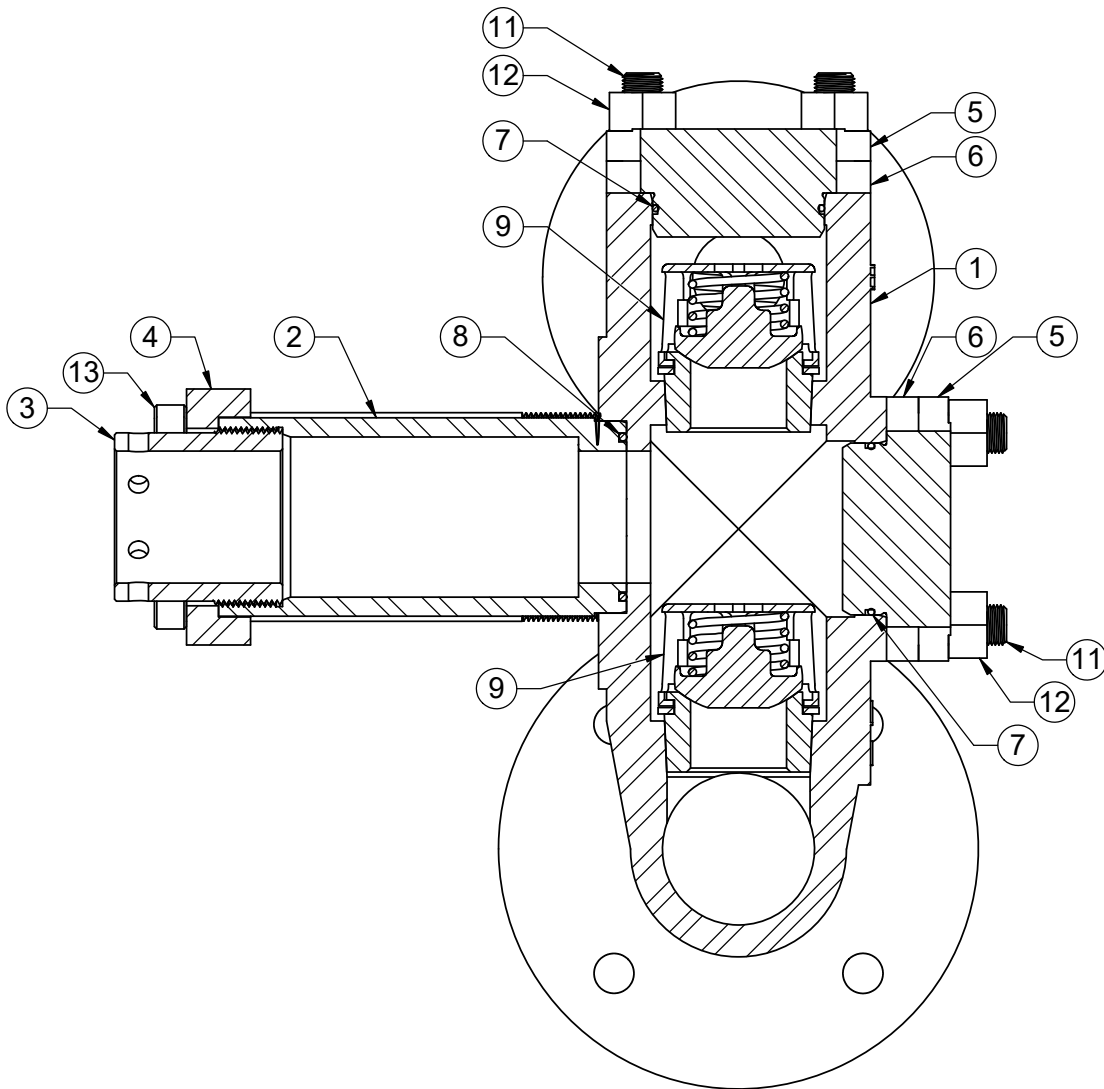


FIND #	DESCRIPTION	PART NUMBER	REQ'D
1	STUDDED FLUID END	B301B0221401/B301B0221402	1
2	STUFFING BOX 1.625-1.375 (NONE LUBE/LUBE)	B337A0221430/B337A0221431	3
	STUFFING BOX 1.250-1.125 (NONE LUBE/LUBE)	B337A0221230/B337A0221231	
3	GLAND NUT 1.625-1.375	B338B0839302	3
	GLAND NUT 1.250-1.125	B338B0839301	
4	STUFFING BOX FLANGE	B366B0822100	1
5	VALVE COVER, CENTER	B317A0221420	2
6	VALVE COVER, OUTER	B317A0221430	4
7	VALVE COVER O-RING (BUNA/VITON)	110-000142-200/110-000142-599	6
8	STUFFING BOX O-RING (BUNA/VITON)	110-000230-200/110-000230-599	3
9	VALVE ASSEMBLY	179150025W	6
10	CYLINDER TIE STUD	B824A0156914	REF (2)
11	VALVE COVER STUD	B824A0156910	REF (16)
12	STUFFING BOX STUD	B824A0156911	REF (8)
13	VALVE COVER/CYLINDER TIE/STUFFING BOX NUT	134-058018-286	REF (26)

NOTES:

- ITEM 10 NOT SHOWN
- THESE ARE THE CARBON STEEL OPTION PART NUMBERS ONLY. STAINLESS STEEL, DUPLEX STAINLESS STEEL AND BRONZE ARE AVAILABLE ON SOME PARTS.
- FOR PACKING OPTIONS CONTACT NOV

NOV NATIONAL OILWELL VARCO	
HOUSTON, TEXAS, U.S.A.	ENGINEERING, TULSA, OKLAHOMA
PARTS LIST BX-10/BD-28MC FLUID END	
DWG No: BP028MCFE	REV: A SH: 1 OF 1



FIND #	DESCRIPTION	PART NUMBER	REQ'D
1	STUDED FLUID END	B301B02225**	1
2	STUFFING BOX 2.000-1.750 (NONE LUBE/LUBE)	B337A0222030/B337A0222031	3
	STUFFING BOX 1.625-1.375 (NONE LUBE/LUBE)	B337A0221430/B337A0221431	
3	GLAND NUT 2.000-1.750	B338A0222040	3
	GLAND NUT 1.625-1.375	B338B0839302	
4	STUFFING BOX FLANGE	B366A0222020	1
5	VALVE COVER, CENTER	B317A0222020	2
6	VALVE COVER, OUTER	B317A0222030	4
7	VALVE COVER O-RING (BUNA/VITON)	110-000144-200/110-000144-599	6
8	STUFFING BOX O-RING (BUNA/VITON)	110-000229-200/110-000229-599	3
9	VALVE ASSEMBLY	179100025W	6
10	CYLINDER TIE STUDS	B824A0156914	REF (2)
11	VALVE COVER STUDS	B824A0156910	REF (16)
12	VALVE COVER/CYLINDER TIE NUT	134-058018-286	REF (18)
13	STUFFING BOX CAP SCREWS	105-012700-290	REF (8)

NOTES:

1. ITEM 10 NOT SHOWN
2. THESE ARE THE CARBON STEEL OPTION PART NUMBERS ONLY. STAINLESS STEEL, DUPLEX STAINLESS STEEL AND BRONZE ARE AVAILABLE ON SOME PARTS.
3. FOR PACKING OPTIONS CONTACT NOV

NOV NATIONAL OILWELL VARCO	
<small>HOUSTON, TEXAS, U.S.A. ENGINEERING, TULSA, OKLAHOMA</small>	
TITLE: PARTS LIST BX-10/BD-28LCF FLUID END	
DWG No: BPL028LCFFE	REV: A SHEET: 1 OF 1

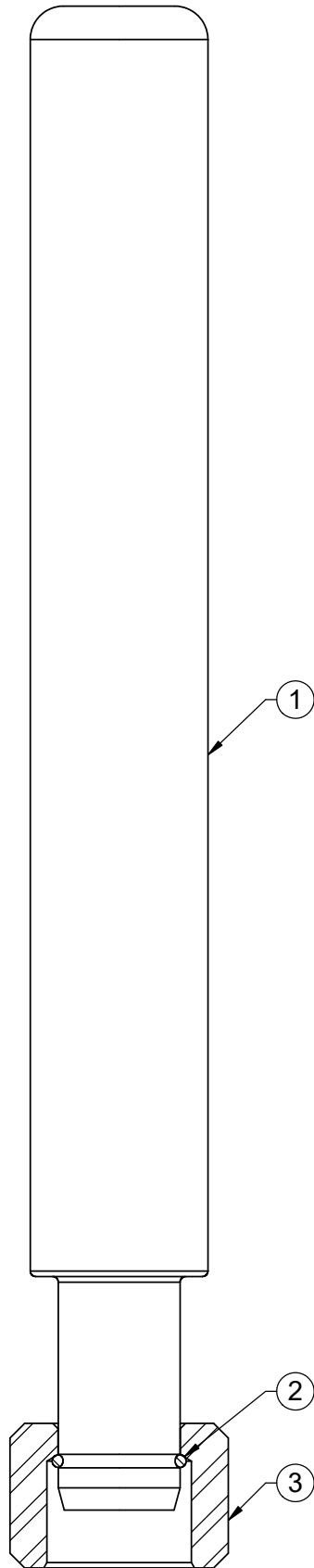
STUDED FLUID END BX-10LCF AND BD-28LCF PART NUMBERS

ANSI RAISED FACE			ANSI RING TYPE JOINT		
PART #	1-1/2" DISCHARGE	2-1/2" SUCTION	PART #	1-1/2" DISCHARGE	2-1/2" SUCTION
B301B0222501	600#	600#	B301B0222506	600#	600#
B301B0222502	600#	300#	B301B0222507	600#	300#
B301B0222503	600#	150#	B301B0222508	600#	150#
B301B0222504	300#	300#	B301B0222509	300#	300#
B301B0222505	300#	150#	B301B0222510	300#	150#

NOTES:

1. THESE ARE REFERENCE FOR THE STUDED FLANGED FLUID ENDS ON THE BX-10LCF AND BD-28LCF.
2. THESE ARE THE CARBON STEEL OPTION PART NUMBERS ONLY. STAINLESS STEEL, DUPLEX STAINLESS STEEL AND BRONZE ARE AVAILABLE ON SOME PARTS.

NOV NATIONAL OILWELL VARGO		
HOUSTON, TEXAS, U.S.A.	ENGINEERING, TULSA, OKLAHOMA	
TITLE: PARTS LIST STUDED FLANGED FLUID ENDS BX-10 AND BD-28		
DWG No: BPL010FFE	REV: A	SHT: 1 of 1



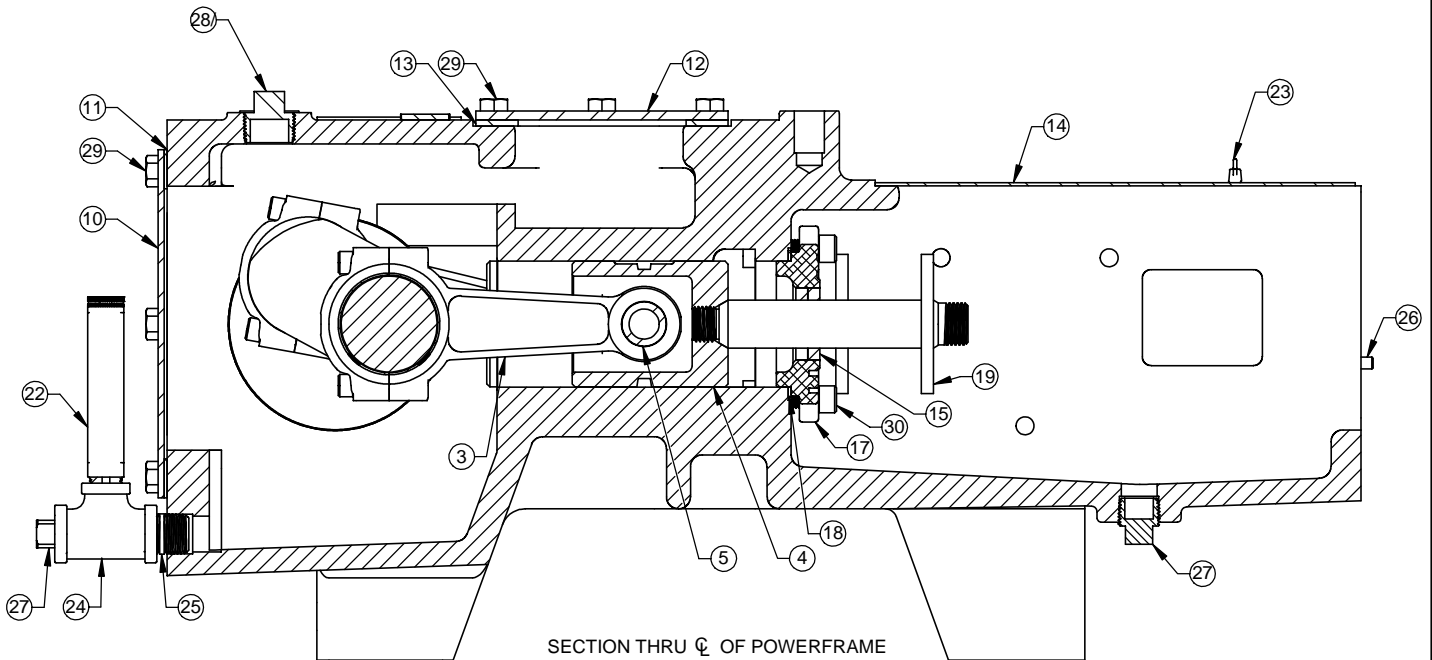
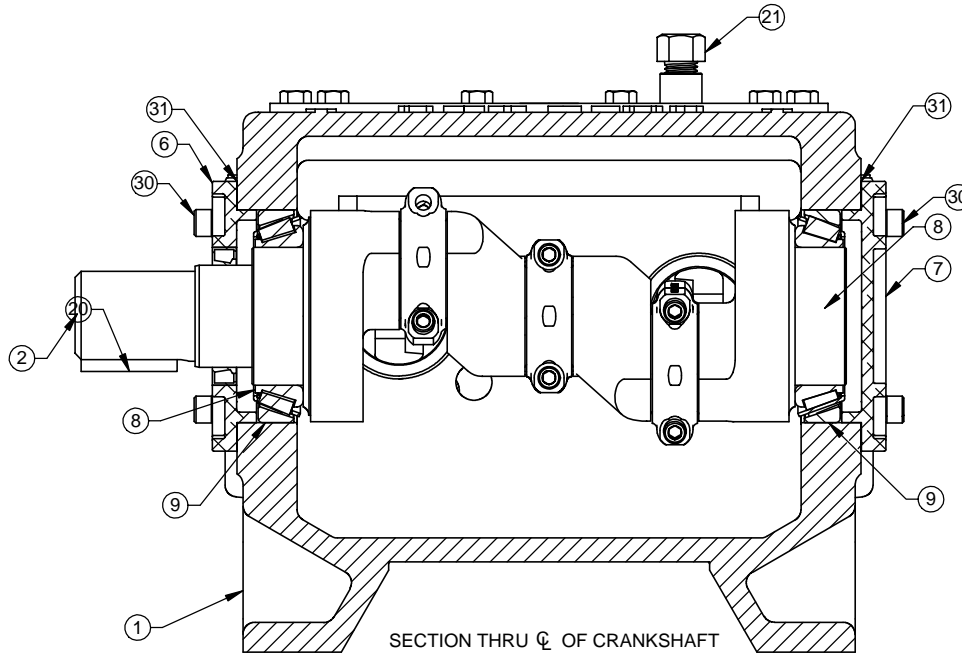
FIND #	DIAMETER	PART NUMBER	REQ'D
1	.375	B352B0639105	3
	.500	B352B0639103	
	.625	B352B0639101	
	.750	B352B0837902	
	.875	B352B0837904	
	1.000	B352B0837906	
	1.125	B352B0837801	
	1.250	B352B0837803	
	1.375	B352B0837805	
	1.500	B352B0837807	
	1.625	B352B0837809	
	1.750	B352B0766001	
	1.875	B352B0766002	
2.000	B352B0766003		
2	N/A	B9125D3290BH	REF
3	N/A	B125A0788600	REF

MATERIAL SUFIX		
SUFIX	COATING	BASE MATERIAL
NONE	COLMONOY	CARBON STEEL
T	TUNGSTUN CARBIDE	STAINLESS STEEL
C	CERAMIC	STAINLESS
R	CHROME OXIDE	STAINLESS STEEL
W	WALLEX	STAINLESS STEEL
S	COLMONOY	STAINLESS STEEL

NOTES:

1. ITEM 2 AND 3 ARE INCLUDED IN ITEM 1
2. TO DESIGNATE MATERIAL THE SUFIX GETS ADDED TO THE END OF THE PART

NOV NATIONAL OILWELL VARGO	
<small>HOUSTON, TEXAS, U.S.A. ENGINEERING, TULSA, OKLAHOMA</small>	
TITLE: PARTS LIST BX-10/BD-28 PLUNGERS	
DWG No:	REV: A SHE: 1 OF 1



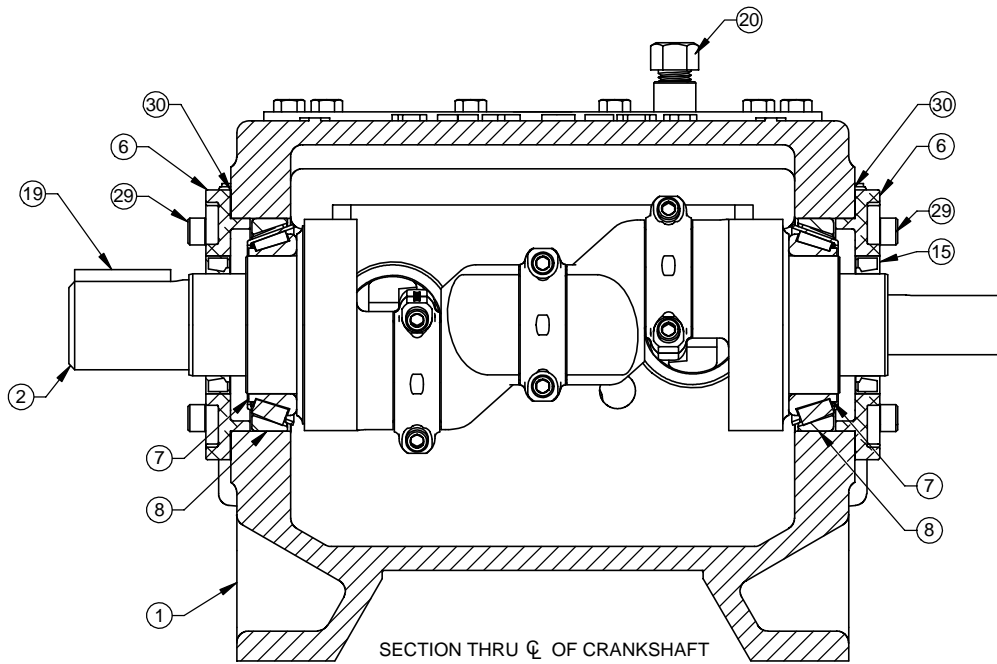
FIND #	DESCRIPTION	BX-10 PART #	BD-28 PART #	REQ'D
1	POWER FRAM	B100E0629814		1
2	CRANKSHAFT	B103D0619400	B103D0754500	1
3	CONNECTING ROD ASSEMBLY	B100401	B102543	3
4	CROSSHEAD ASSEMBLY	B100402	B102542	3
5	WRIST PIN	B119A0796700	B119A0863400	3
6	CRANKSHAFT FRAME CAP, INBOARD	B132D07021B0		1
7	CRANKSHAFT FRAME CAP, OUTBOARD	B132D0702100		1
8	CONE, CRANKSHAFT BEARING	B9610BECA041		2
9	CUP, CRANKSHAFT BEARING	B9610CECA001		2
10	COVER, CRANKCASE	B154B0823600		1
11	GASKET, CRANKCASE	B620B0823400		1
12	COVER, INSPECTION	B153B0102800		1
13	GASKET, INSPECTION	B621B0102800		1
14	COVER, PLUNGERS	B152B1016000		1
15	CROSSHEAD STUB OIL SEAL	B94111000103		6
16	OIL SEAL CRANKSHAFT	B94111000127		1
17	WIPER BOX	B141C1015700		3
18	GASKET, CROSSHEAD STUB SEAL	B623A0619501		3

FIND #	DESCRIPTION	BX-10 PART #	BD-28 PART #	REQ'D
19	DEFLECTOR	B123A0789000		3
20	KEY	B811B0323104		1
21	BREATHER	B9514B1D0000		1
22	OIL LEVEL INDICATOR	B9513ECAB0BB		1
23	THUMB SCREW	B9136A0404A1		2
24	REDUCING TEE	B9205BAA4ED8		1
25	NIPPLE	B920104A00D5		1
26	HARDEND STEEL PIN	B912125006A2		2
27	PLUG 1/2"	170-012004-220		2
28	PLUG 3/4"	170-034004-220		1
29	HEX HEAD CAP SCREW	100-038034-290		20
30	HEX HEAD CAP SCREW	100-038100-290		14
31	SHIM SET	B011804		1
32	TAG	PTAG-300		1
33	DRIVE SCREW	126-006516-405		4

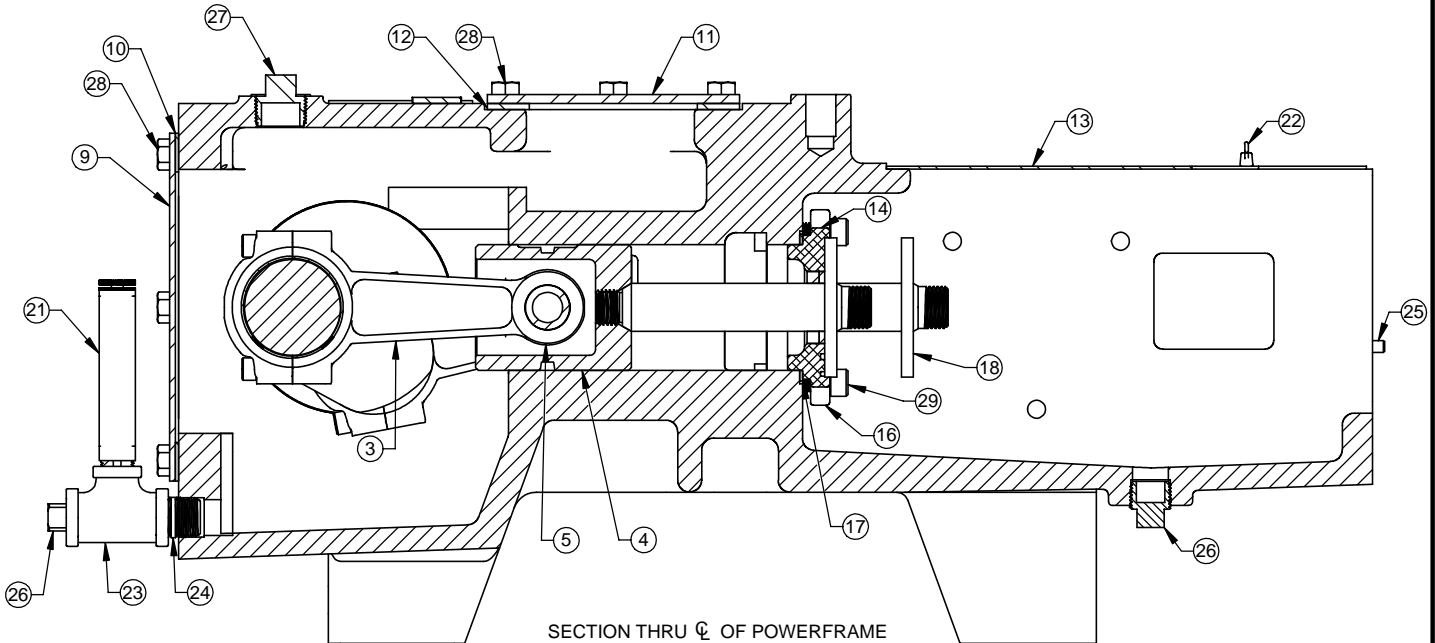
NOTES:

- ITEMS 32 AND 33 ARE NOT SHOWN.
- LEFT HAND DRIVE SHOWN, FOR RIGHT HAND DRIVE SWITCH SHAFT TO OTHER SIDE.

NOV NATIONAL OILWELL VARGO	
<small>HOUSTON, TEXAS, U.S.A. ENGINEERING, TULSA, OKLAHOMA</small>	
TITLE: PARTS LIST BX-10/BD-28 POWER END	
DWG No: BPL010PE	REV: A SHT: 1 OF 1



SECTION THRU ̅ OF CRANKSHAFT



SECTION THRU ̅ OF POWERFRAME

FIND #	DESCRIPTION	BX-10 PART #	BD-28 PART #	REQ'D
1	POWER FRAM	B100E0629814		1
2	CRANKSHAFT	B103D0619403	B103D0754510	1
3	CONNECTING ROD ASSEMBLY	B100401	B102543	3
4	CROSSHEAD ASSEMBLY	B100402	B102542	3
5	WRIST PIN	B119A0796700	B119A0863400	3
6	CRANKSHAFT FRAME CAP, INBOARD	B132D07021B0		2
7	CONE, CRANKSHAFT BEARING	B9610BECA041		2
8	CUP, CRANKSHAFT BEARING	B9610CECA001		2
9	COVER, CRANKCASE	B154B0823600		1
10	GASKET, CRANKCASE	B620B0823400		1
11	COVER, INSPECTION	B153B0102800		1
12	GASKET, INSPECTION	B621B0102800		1
13	COVER, PLUNGERS	B152B1016000L		1
14	CROSSHEAD STUB OIL SEAL	B94111000103		6
15	OIL SEAL CRANKSHAFT	B94111000127		2
16	WIPER BOX	B141C1015700		3
17	GASKET, CROSSHEAD STUB SEAL	B623A0619501		3

FIND #	DESCRIPTION	BX-10 PART #	BD-28 PART #	REQ'D
18	DEFLECTOR	B123A0789000		3
19	KEY	B811B0323104		1
20	BREATHER	B9514B1D0000		1
21	OIL LEVEL INDICATOR	B9513ECAB0BB		1
22	THUMB SCREW	B9136A0404A1		2
23	REDUCING TEE	B9205BA44ED8		1
24	NIPPLE	B920104A00D5		1
25	HARDEND STEEL PIN	B912125006A2		2
26	PLUG 1/2"	170-012004-220		2
27	PLUG 3/4"	170-034004-220		1
28	HEX HEAD CAP SCREW	100-038034-290		20
29	HEX HEAD CAP SCREW	100-038100-290		14
30	SHIM SET	B011804		1
31	TAG	PTAG-300		1
32	DRIVE SCREW	126-006516-405		4

NOTES:

- ITEMS 31 AND 32 ARE NOT SHOWN.
- LEFT HAND DRIVE SHOWN, FOR RIGHT HAND DRIVE SWITCH SHAFT TO OTHER SIDE.

NOV NATIONAL OILWELL VARCO

HOUSTON, TEXAS, U.S.A. ENGINEERING, TULSA, OKLAHOMA

TITLE: **PARTS LIST
BX-10/BD-28
POWER END AUXILIARY SHAFT**

DWG No: **BPL010PEA** REV: **A** SHEET: **1** OF **1**

PUMP	VALVE SEAT PULLER
MX-3M	B999A0200
MX-3H	B999A0300
MX-3MC	181259201
CX-5L	B999A0100
CX-5M	B999A0200
CX-5H	B999A0300
CX-5MC	181259201
BX-10/BD-28L	B999A0100
BX-10M	B999A0200
BX-10H	B999A0300
BD-28M	B999A0200
BD-28H	B999A0300
BD-28U	N/A
BX-10/BD-28LC	181259226
BX-10/BD-28MC	181259201
BX-10/BD-28LCF	181259226
BD-30L	B999A0400
BD-30M	B999A0500
BD-30LCF	181259226
BD-30MCF	181259201
BD-60/85L	B999A0800
BD-60/85M	B999A0700
BD-60/85H	B999A0900
BD-60/85U	N/A
BD-60/85LCF	180104127
BD-60/85MCF	181259226
BQ-100L	B999A0800
BQ-100M	B999A0700
BQ-100H	B999A0900
BD-120/130/150/165L	N/A
BD-120/130/150/165M	N/A
BD-120/130/150/165H	N/A
BD-120/130/150/165LCF	180104143
BD-120/130/150/165MCF	170104127
BQ-200L	N/A
BQ-200M	N/A
BQ-200H	N/A

ITEM	PART #
GLAND LIMITER	B362A1224010
SPANNER WRENCH	B363A0000001