



NATIONAL OILWELL VARCO

BD-60

BD-85

**BEAR™ Reciprocating
Plunger Pump
Parts List**

Material Options for Fluid End Parts:
 The suffix of the part number determines the material.

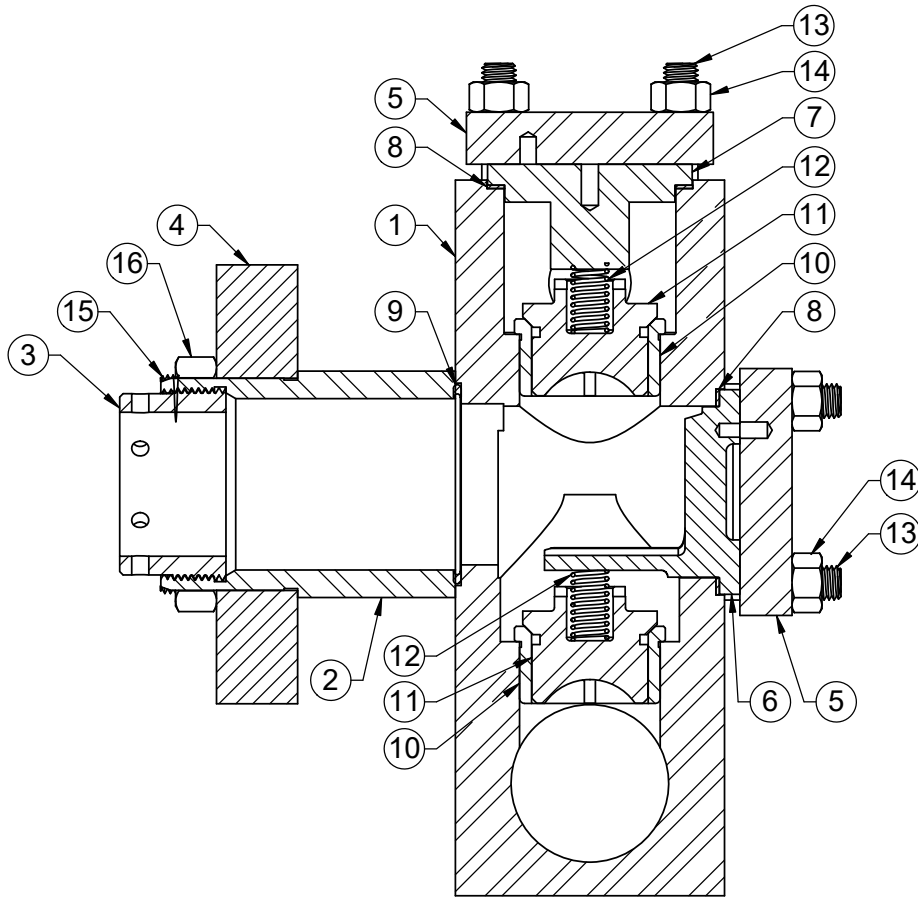
Part Number Suffix:

- None= Carbon Steel
- S= Stainless Steel
- D1= Super Duplex Stainless Steel
- B7= Bronze
- P= Peek

	Material Options			
	Carbon Steel	Stainless Steel	Super Duplex Stainless Steel	Bronze
Forged Fluid End	X	X		
Casted Fluid End	X		X	
Stuffing Box	X	X	X	
Gland Nut	X	X	X	X
Stuffing Box Flange	X	X	X	
Valve Covers	X	X	X	
Suction Stop	X	X	X	
Discharge Stop	X	X	X	
Suction Manifold	X	X	X	
Discharge Manifold	X	X	X	

Example:

B123A456789 is a made-up part number. B123A456789S would be the stainless steel version of that part.

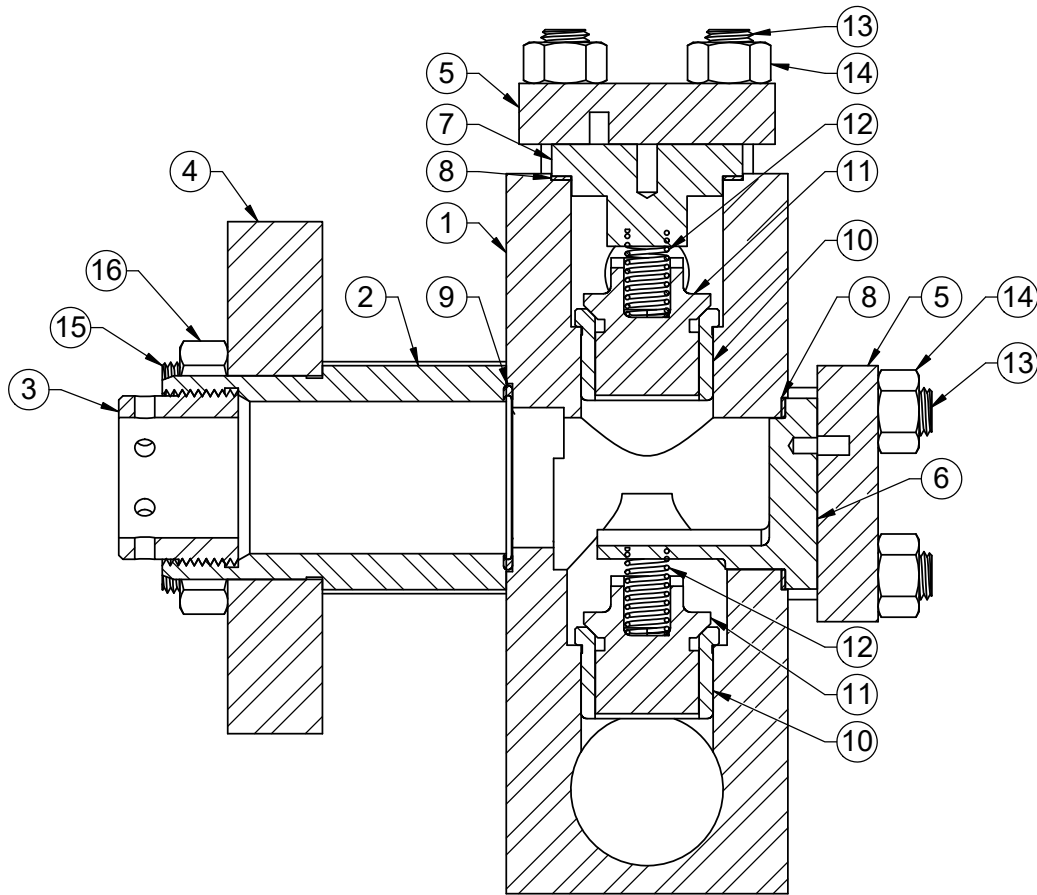


FIND #	DESCRIPTION	PART NUMBER	REQ'D
1	STUDED FLUID END (NPT/SOCKET)	B301E0601700/B301E0601701	1
2	STUFFING BOX 2.50-2.25 (NONE LUBE/LUBE)	B337B0632100/B337B0606900	3
	STUFFING BOX 2.125-1.875 (NONE LUBE/LUBE)	B337B0626600/B337B0606800	
3	GLAND NUT 2.50-2.25	B338B0607102	3
	GLAND NUT 2.125-1.875	B338B0607101	
4	STUFFING BOX FLANGE	B366C0603900	1
5	VALVE COVER	B317B0607200	6
6	SUCTION STOP	B368C0603800	3
7	DISCHARGE STOP	B370B0672300	3
8	VALVE COVER GASKET (SYNTHETIC/COPPER)	B619B0608401/B619B0608401-1	6
9	STUFFING BOX GASKET	B622B0647507	3
10	VALVE SEAT	B322B0808600	6
11	VALVE BODY	B320B0607500	6
12	SPRING	B334B0616101	6
13	VALVE COVER STUD	B824A0155012	REF (24)
14	VALVE COVER NUT	133-034010-286	REF (24)
15	STUFFING BOX FLANGE STUD	B824A0155125	REF (8)
16	STUFFING BOX FLANGE NUT	133-078009-286	REF (8)

NOTES:

1. THESE ARE THE CARBON STEEL OPTION PART NUMBERS ONLY. STAINLESS STEEL, DUPLEX STAINLESS STEEL AND BRONZE ARE AVAILABLE ON SOME PARTS.
2. FOR PACKING OPTIONS CONTACT NOV

NOV NATIONAL OILWELL VARCO	
<small>HOUSTON, TEXAS, U.S.A.</small>	<small>ENGINEERING, TULSA, OKLAHOMA</small>
PARTS LIST BD-60/BD-85L FLUID END	
<small>DWG No:</small> BPL060LFE	<small>REV:</small> 1 <small>OF</small> 1

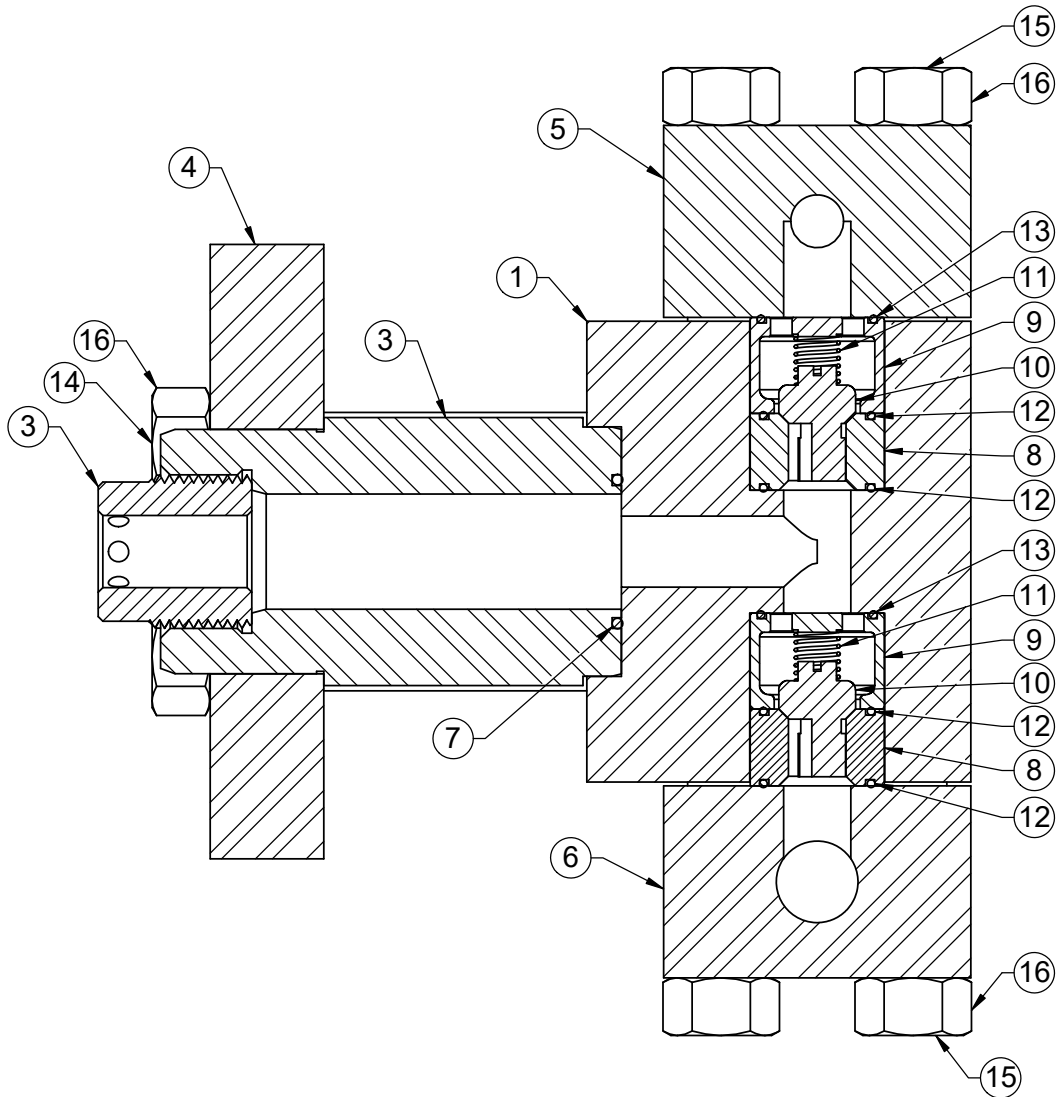


FIND #	DESCRIPTION	PART NUMBER	REQ'D
1	STUDED FLUID END (NPT/SOCKET)	B301E0601800/B301E0601801	1
2	STUFFING BOX 1.75-1.50 (NONE LUBE/LUBE)	B337B0632000/B337B0611300	3
	STUFFING BOX 1.375-1.25 (NONE LUBE/LUBE)	B337B0631900/B337B0611200	
3	GLAND NUT 1.75-1.50	B338B0611502	3
	GLAND NUT 1.375-1.25	B338B0611501	
4	STUFFING BOX FLANGE	B366C0609300	1
5	VALVE COVER	B317B0611400	6
6	SUCTION STOP	B368B0780000	3
7	DISCHARGE STOP	B370B0610600	3
8	VALVE COVER GASKET (SYNTHETIC/COPPER)	B619B0608402/B619B0608402-1	6
9	STUFFING BOX GASKET	B622B0647505	3
10	VALVE SEAT	B322B0808700	6
11	VALVE BODY	B320B0610500	6
12	SPRING	B334B0717630	6
13	VALVE COVER STUD	B824A0155012	REF (24)
14	VALVE COVER NUT	133-034010-286	REF (24)
15	STUFFING BOX FLANGE STUD	B824A0155125	REF (8)
16	STUFFING BOX FLANGE NUT	133-078009-286	REF (8)

NOTES:

1. THESE ARE THE CARBON STEEL OPTION PART NUMBERS ONLY. STAINLESS STEEL, DUPLEX STAINLESS STEEL AND BRONZE ARE AVAILABLE ON SOME PARTS.
2. FOR PACKING OPTIONS CONTACT NOV

NOV NATIONAL OILWELL VARGO	
<small>HOUSTON, TEXAS, U.S.A. ENGINEERING, TULSA, OKLAHOMA</small>	
TITLE: PARTS LIST BD-60/BD-85M FLUID END	
DWG No: BPL060MFE	REV: A SH: 1 of 1

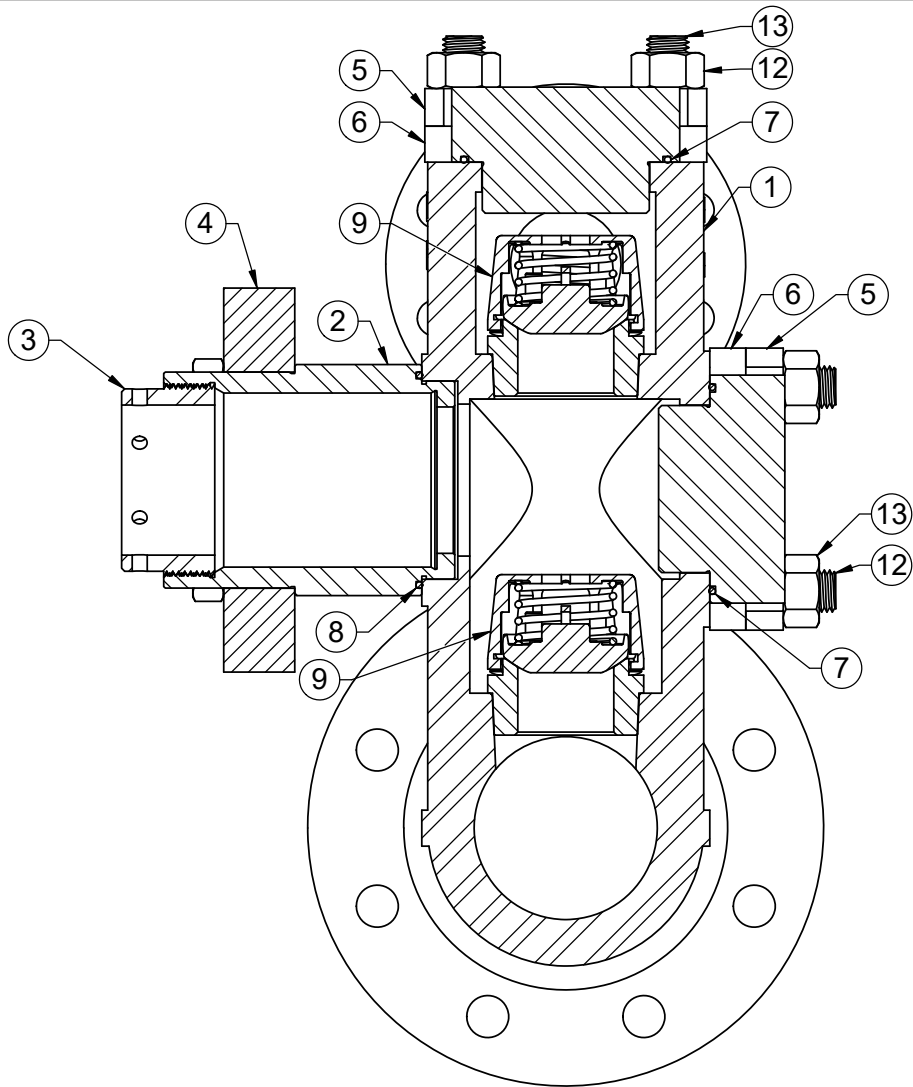


FIND #	DESCRIPTION	PART NUMBER	REQ'D
1	STUDDED FLUID END	B301A0851600	1
2	STUFFING BOX .875-.625 (NONE LUBE/LUBE)	B337A0851603/B337A0851604	3
3	GLAND NUT .875-.625	B338A0851604	3
4	STUFFING BOX FLANGE	B366C0609300	1
5	DISCHARGE MANIFOLD (NPT/SOCKET)	B360A0851602/B360A0851603	1
6	SUCTION MANIFOLD (NPT/SOCKET)	B359A0851601/B359A0851602	1
7	STUFFING BOX O-RING (BUNA/FEPM)	110-000229-200/110-000229-519	3
8	VALVE SEAT	B322A0851608	6
9	VALVE CAGE	B322A0851607	6
10	VALVE BODY	B320A0851610	6
11	VALVE SPRING	B334A0851609	3
12	VALVE O-RING (BUNA)	110-000125-220	12
13	VALVE O-RING (BUNA)	110-000126-200	6
14	STUFFING BOX FLANGE STUD	B824A0155127	REF (12)
15	MANIFOLD STUDS	B824A0155117	REF (16)
16	STUFFING BOX FLANG/MANIFOLD NUT	133-078009-286	REF (18)

NOTES:

1. THESE ARE THE CARBON STEEL OPTION PART NUMBERS ONLY. STAINLESS STEEL, DUPLEX STAINLESS STEEL AND BRONZE ARE AVAILABLE ON SOME PARTS.
2. FOR PACKING OPTIONS CONTACT NOV

NOV NATIONAL OILWELL VARGO	
<small>HOUSTON, TEXAS, U.S.A. ENGINEERING, TULSA, OKLAHOMA</small>	
TITLE: PARTS LIST BD-60/BD-85U FLUID END	
DWG No: BPL060UFE	REV: A SH: 1 OF 1

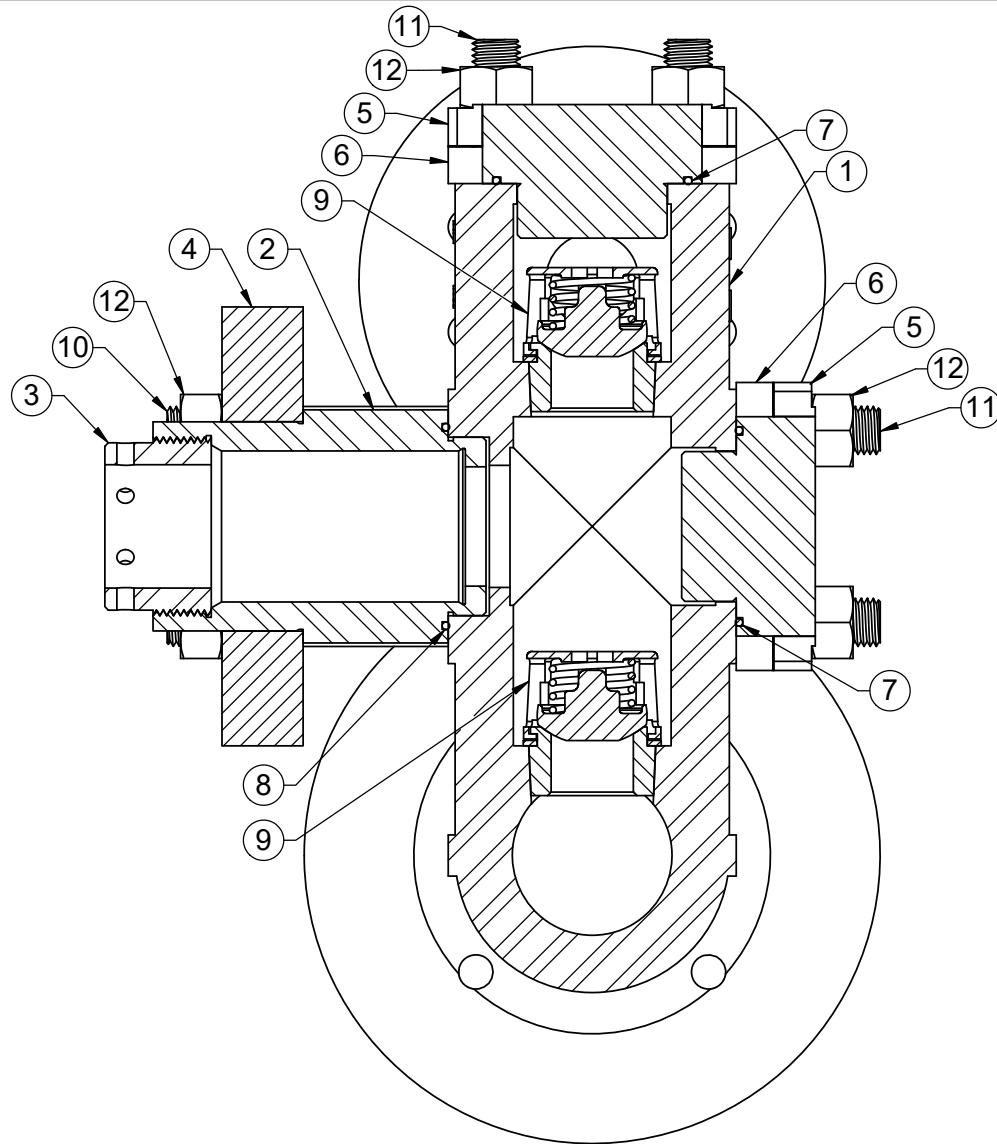


FIND #	DESCRIPTION	PART NUMBER	REQ'D
1	STUDED FLUID END	B301B06230**	1
2	STUFFING BOX 3.00 (NONE LUBE/LUBE)	B337A0623030/B337A0623031	3
	STUFFING BOX 2.875-2.625 (NONE LUBE/LUBE)	B337A0622730/B337A0622731	
	STUFFING BOX 2.50-2.25 (NONE LUBE/LUBE)	B337A0622430/B337A0622431	
3	GLAND NUT 3.00-2.625	B338A0623040	3
	GLAND NUT 2.50-2.25	B338A0622440	
4	STUFFING BOX FLANGE	B366A0623020	1
5	VALVE COVER, CENTER	B317A0623030	2
6	VALVE COVER, OUTER	B317A0623020	4
7	VALVE COVER O-RING (BUNA/VITON)	110-000243-200/110-000243-599	6
8	STUFFING BOX O-RING (BUNA/VITON)	110-000244-200/110-000244-599	3
9	VALVE ASSEMBLY	179302025W	6
10	STUFFING BOX FLANGE STUD	B824A0155024	REF (8)
11	STUFFING BOX FLANGE NUT	133-034010-286	REF (8)
12	VALVE COVER STUD	B824A0155115	REF (16)
13	VALVE COVER NUT	133-078009-286	REF (16)

NOTES:

- ITEM 10 AND 11 NOT SHOWN
- THESE ARE THE CARBON STEEL OPTION PART NUMBERS ONLY. STAINLESS STEEL, DUPLEX STAINLESS STEEL AND BRONZE ARE AVAILABLE ON SOME PARTS.
- FOR PACKING OPTIONS CONTACT NOV
- ** HAS A REFERENCE PAGE AT THE END OF THE FLUID END SELECTION OF FLUID END FLANGE OPTIONS

NOV NATIONAL OILWELL VARGO	
<small>HOUSTON, TEXAS, U.S.A.</small>	<small>ENGINEERING, TULSA, OKLAHOMA</small>
PARTS LIST BD-60/BD-85LCF FLUID END	
<small>DWG NO:</small> BPL060LCFFE	<small>REV:</small> A <small>SHT:</small> 1 <small>OF:</small> 1



FIND #	DESCRIPTION	PART NUMBER	REQ'D
1	STUDED FLUID END	B301B06221**	1
2	STUFFING BOX 2.125-1.875 (NONE LUBE/LUBE)	B337A0622130/B337A0622131	3
	STUFFING BOX 1.750-1.500 (NONE LUBE/LUBE)	B337A0621630/B337A0621631	
3	GLAND NUT 2.125-1.875	B338A0622140	3
	GLAND NUT 1.750-1.500	B338A0621640	
4	STUFFING BOX FLANGE	B366A0622120	1
5	VALVE COVER, CENTER	B317A0622130	2
6	VALVE COVER, OUTER	B317A0622120	4
7	VALVE COVER O-RING (BUNA/EPDM)	110-000237-200/110-000237-518	6
8	STUFFING BOX O-RING (BUNA/EPDM)	110-000238-200/110-000238-518	3
9	VALVE ASSEMBLY	179100025W	6
10	STUFFING BOX FLANGE STUD	B824A0155124	REF (8)
11	VALVE COVER STUD	B824A0155115	REF (16)
12	VALVE COVER NUT	133-078009-286	REF (24)

NOTES:

1. ITEM 10 AND 11 NOT SHOWN
2. THESE ARE THE CARBON STEEL OPTION PART NUMBERS ONLY. STAINLESS STEEL, DUPLEX STAINLESS STEEL AND BRONZE ARE AVAILABLE ON SOME PARTS.
3. FOR PACKING OPTIONS CONTACT NOV
4. ** HAS A REFERENCE PAGE AT THE END OF THE FLUID END SELECTION OF FLUID END FLANGE OPTIONS

NOV NATIONAL OILWELL VARCO	
HOUSTON, TEXAS, U.S.A.	ENGINEERING, TULSA, OKLAHOMA
PARTS LIST BD-60/85MCF FLUID END	
DWG No: BPL060MCFE	REV: A SH: 1 OF 1

STUDED FLUID END BD-60/85LCF PART NUMBERS

ANSI RAISED FACE			ANSI RING TYPE JOINT		
PART #	2-1/2" DISCHARGE	4" SUCTION	PART #	2-1/2" DISCHARGE	4" SUCTION
B301B0623001	600#	600#	B301B0623006	600#	600#
B301B0623002	600#	300#	B301B0623007	600#	300#
B301B0623003	600#	150#	B301B0623008	600#	150#
B301B0623004	300#	300#	B301B0623009	300#	300#
B301B0623005	300#	150#	B301B0623010	300#	150#

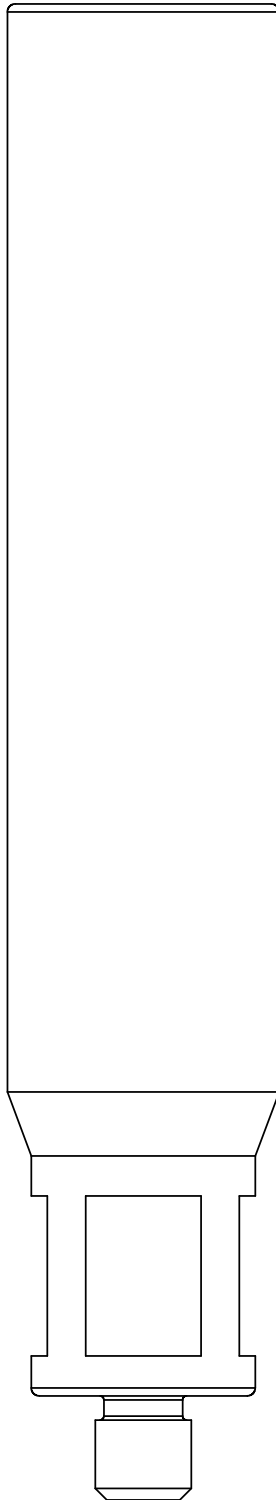
STUDED FLUID END BD-60/85MCF PART NUMBERS

ANSI RAISED FACE			ANSI RING TYPE JOINT		
PART #	2" DISCHARGE	3" SUCTION	PART #	2" DISCHARGE	3" SUCTION
B301B0622101	900/1500#	1500#	B301B0622111	900/1500#	1500#
B301B0622102	900/1500#	900#	B301B0622112	900/1500#	900#
B301B0622103	900/1500#	600#	B301B0622113	900/1500#	600#
B301B0622104	900/1500#	300#	B301B0622114	900/1500#	300#
B301B0622105	900/1500#	150#	B301B0622115	900/1500#	150#
B301B0622106	600#	600#	B301B0622116	600#	600#
B301B0622107	600#	300#	B301B0622117	600#	300#
B301B0622108	600#	150#	B301B0622118	600#	150#
B301B0622109	300#	300#	B301B0622119	300#	300#
B301B0622110	300#	150#	B301B0622120	300#	150#

NOTES:

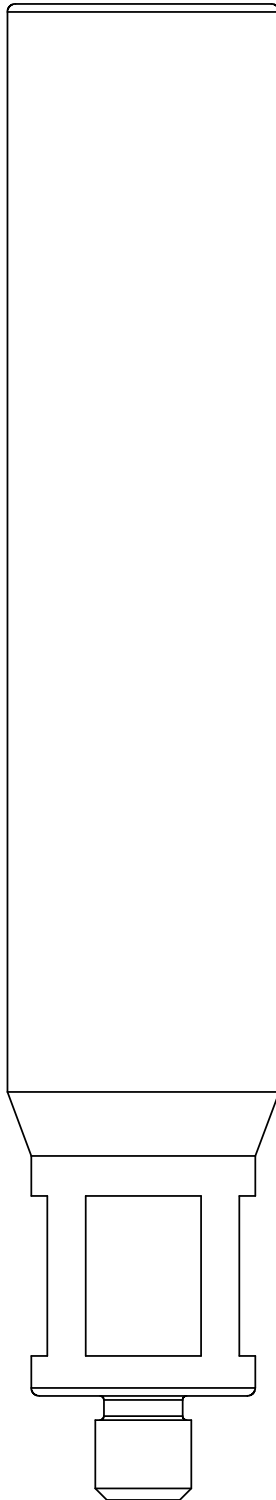
1. THESE ARE REFERENCE FOR THE STUDED FLANGED FLUID ENDS ON THE BD-60/85LCF AND BD-60/85MCF.
2. THESE ARE THE ALLOY STEEL OPTION PART NUMBERS ONLY. DUPLEX STAINLESS STEEL ARE AVAILABLE.

NOY NATIONAL OILWELL VARGO		
HOUSTON, TEXAS, U.S.A.	ENGINEERING, TULSA, OKLAHOMA	
TITLE: PARTS LIST STUDED FLANGED FLUID ENDS BD-60/85		
DWG No: BPL060FFE	REV: A	SHEET: 1 OF 1



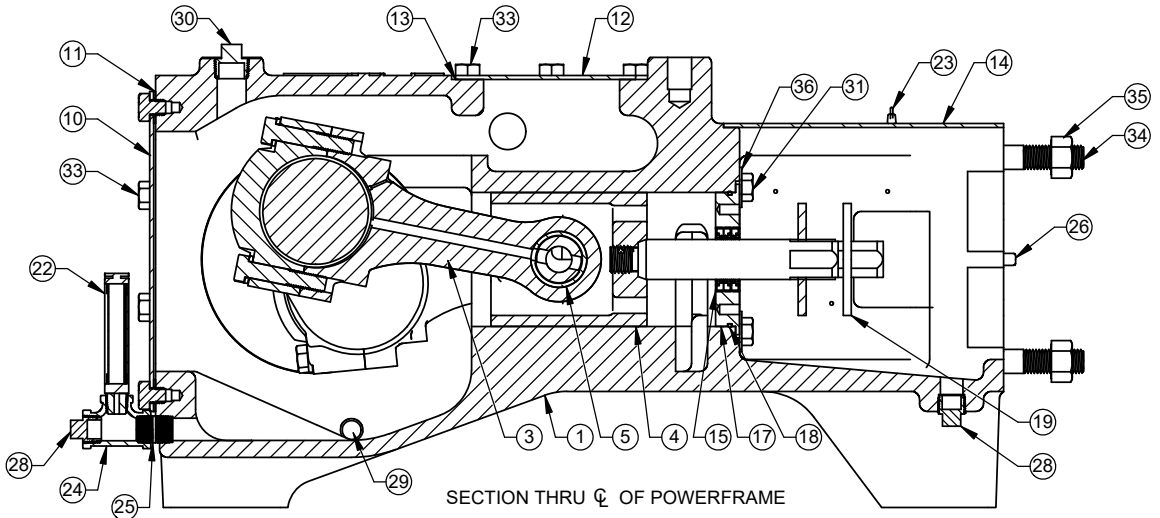
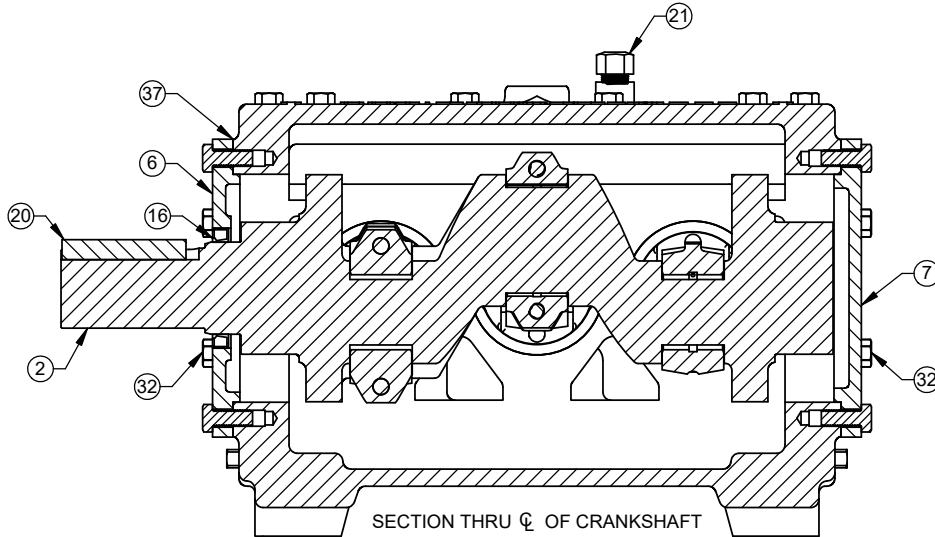
FIND #	DIAMETER	PART NUMBER	REQ'D
1	1.250	B353B0609601	3
	1.375	B353B0609602	
	1.500	B353B0609603	
	1.625	B353B0609604	
	1.750	B353B0609605	
	1.875	B353B0625101	
	2.000	B353B0625102	
	2.125	B353B0625103	
	2.250	B353B0625104	
	2.375	B353B0625105	
	2.500	B353B0625106	
	2.625	B353B0625107	
	2.750	B353B0625108	
	2.875	B353B0625109	
	3.000	B353B0625110	

MATERIAL SUFIX		
SUFIX	COATING	BASE MATERIAL
NONE	COLMONOY	CARBON STEEL
T	TUNGSTUN CARBIDE	STAINLESS STEEL
C	CERAMIC	STAINLESS



FIND #	DIAMETER	PART NUMBER	REQ'D
1	.625	B353A0850710	3
	.750	B353A0850712	
	.875	B353B0690704	
	1.000	B353B0657705	
	1.125	B353B0657707	

MATERIAL SUFIX		
SUFIX	COATING	BASE MATERIAL
NONE	COLMONOY	CARBON STEEL
T	TUNGSTUN CARBIDE	STAINLESS STEEL
C	CERAMIC	STAINLESS



FIND #	DESCRIPTION	BD-60 PART #	BD-85 PART #	REQ'D
1	POWER FRAME	B100E0620700		1
2	CRANKSHAFT	B103D0602600	B103D0603500	1
3	CONNECTING ROD ASSEMBLY	B100418		3
4	CROSSHEAD ASSEMBLY	B100419		3
5	WRIST PIN	B119A0602700		3
6	CRANKSHAFT FRAME CAP, INBOARD	B133C0603600		1
7	CRANKSHAFT FRAME CAP, OUTBOARD	B132C0603700		1
8	CONE, CRANKSHAFT BEARING	B9610BAWA041		2
9	CUP, CRANKSHAFT BEARING	B9610CAWA001		2
10	COVER, CRANKCASE	B154B0606500		1
11	GASKET, CRANKCASE	B620B0608100		1
12	COVER, INSPECTION	B153C1203600		1
13	GASKET, INSPECTION	B621C1203700		1
14	COVER, PLUNGERS	B152C0687000		1
15	CROSSHEAD STUB OIL SEAL	B94111000150		9
16	OIL SEAL CRANKSHAFT	B94111000141		1
17	WIPER BOX	B141B1222300		3
18	GASKET, CROSSHEAD STUB SEAL	110-000155-201		3
19	DEFLECTOR	B123A0603600		3

FIND #	DESCRIPTION	BD-60 PART #	BD-85 PART #	REQ'D
20	KEY	B811B0323222		1
21	BREATHER	B9514B1E0000		1
22	OIL LEVEL INDICATOR	B9513ECAU0BB		1
23	THUMB SCREW	B9136A0404A1		2
24	REDUCING TEE	B9205BAA4ED8		1
25	NIPPLE	B920104A00D5		1
26	HARDEND STEEL PIN	B912137510A2		2
27	PLUG 3/8" SOCKET HEAD	170-038003-220		2
28	PLUG 1/2" SQUARE HEAD	170-012004-220		2
29	PLUG 1/2" SOCKET HEAD	170-012003-220		2
30	PLUG 3/4" SQUARE HEAD	170-034004-220		1
31	HEX HEAD CAP SCREW	100-012034-290		6
32	HEX HEAD CAP SCREW	100-012114-290		12
33	HEX HEAD CAP SCREW	100-038012-290		24
34	CYLINDER TIE STUD	B824A0155013		4
35	CYLINDER TIE NUT	133-034010-286		4
36	FLAT WASHER	155-012138-286		6
37	SHIM SET	B007434		1
38	TAG	PTAG-300		1
39	DRIVE SCREW	126-006516-405		4

NOTES:

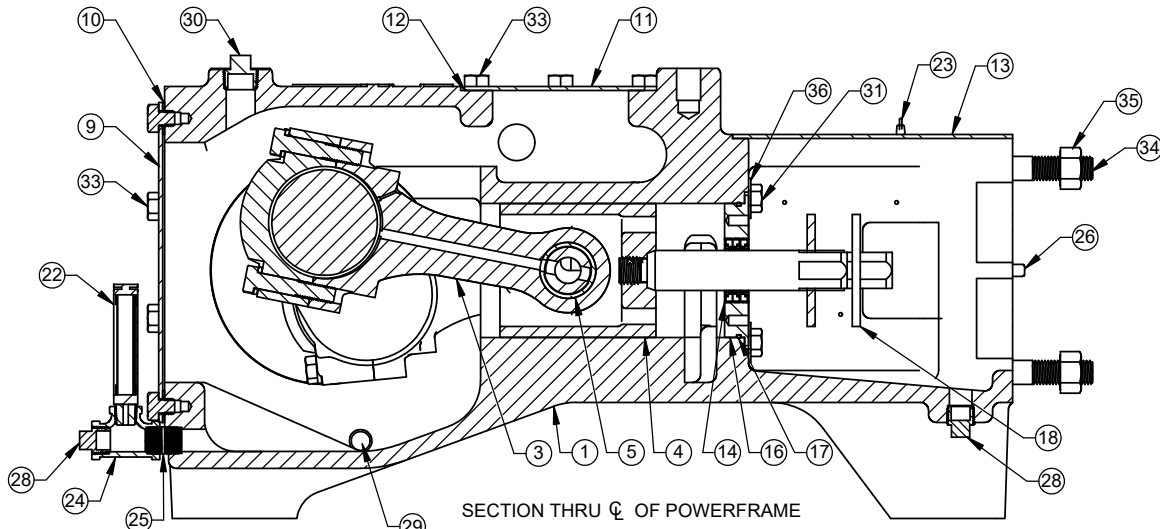
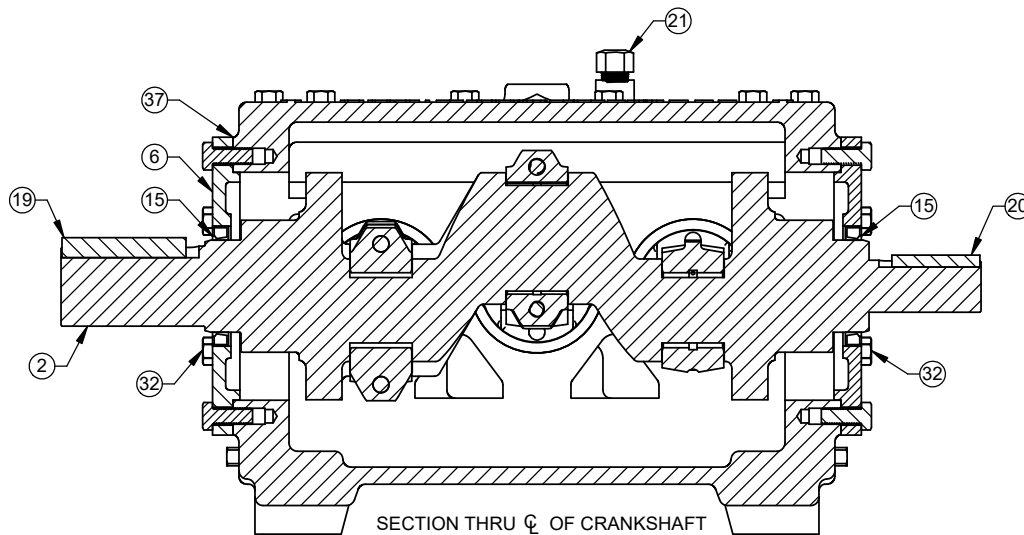
- ITEMS 27, 38 AND 39 ARE NOT SHOWN.
- LEFT HAND DRIVE SHOWN, FOR RIGHT HAND DRIVE SWITCH SHAFT TO OTHER SIDE.

NOV NATIONAL OILWELL VARGO

HOUSTON, TEXAS, U.S.A. ENGINEERING, TULSA, OKLAHOMA

TITLE: **PARTS LIST
BD-60/BD-85
POWER END**

DWG No: **BPL060PE** REV: **A** SHE: **1** OF **1**



FIND #	DESCRIPTION	BD-60 PART #	BD-85 PART #	REQ'D
1	POWER FRAME	B100E0620700		1
2	CRANKSHAFT	B103D0602692	B103D0603592	1
3	CONNECTING ROD ASSEMBLY	B100418		3
4	CROSSHEAD ASSEMBLY	B100419		3
5	WRIST PIN	B119A0602700		3
6	CRANKSHAFT FRAME CAP, INBOARD	B133C0603600		2
7	CONE, CRANKSHAFT BEARING	B9610BAWA041		2
8	CUP, CRANKSHAFT BEARING	B9610CAWA001		2
9	COVER, CRANKCASE	B154B0606500		1
10	GASKET, CRANKCASE	B620B0608100		1
11	COVER, INSPECTION	B153C1203600		1
12	GASKET, INSPECTION	B621C1203700		1
13	COVER, PLUNGERS	B152C0687000L		1
14	CROSSHEAD STUB OIL SEAL	B94111000150		9
15	OIL SEAL CRANKSHAFT	B94111000141		2
16	WIPER BOX	B141B1222300		3
17	GASKET, CROSSHEAD STUB SEAL	110-000155-201		3
18	DEFLECTOR	B123A0603600		3
19	KEY	B811B0323222		1
20	KEY	B811B0606163		1

FIND #	DESCRIPTION	BD-60 PART #	BD-85 PART #	REQ'D
21	BREATHER	B9514B1E0000		1
22	OIL LEVEL INDICATOR	B9513ECAU0BB		1
23	THUMB SCREW	B9136A0404A1		2
24	REDUCING TEE	B9205BAA4ED8		1
25	NIPPLE	B920104A00D5		1
26	HARDEND STEEL PIN	B912137510A2		2
27	PLUG 3/8" SOCKET HEAD	170-038003-220		2
28	PLUG 1/2" SQUARE HEAD	170-012004-220		2
29	PLUG 1/2" SOCKET HEAD	170-012003-220		2
30	PLUG 3/4" SQUARE HEAD	170-034004-220		1
31	HEX HEAD CAP SCREW	100-012034-290		6
32	HEX HEAD CAP SCREW	100-012114-290		12
33	HEX HEAD CAP SCREW	100-038012-290		24
34	CYLINDER TIE STUD	B824A0155013		4
35	CYLINDER TIE NUT	133-034010-286		4
36	FLAT WASHER	155-012138-286		6
37	SHIM SET	B007434		1
38	TAG	PTAG-300		1
39	DRIVE SCREW	126-006516-405		4

NOTES:

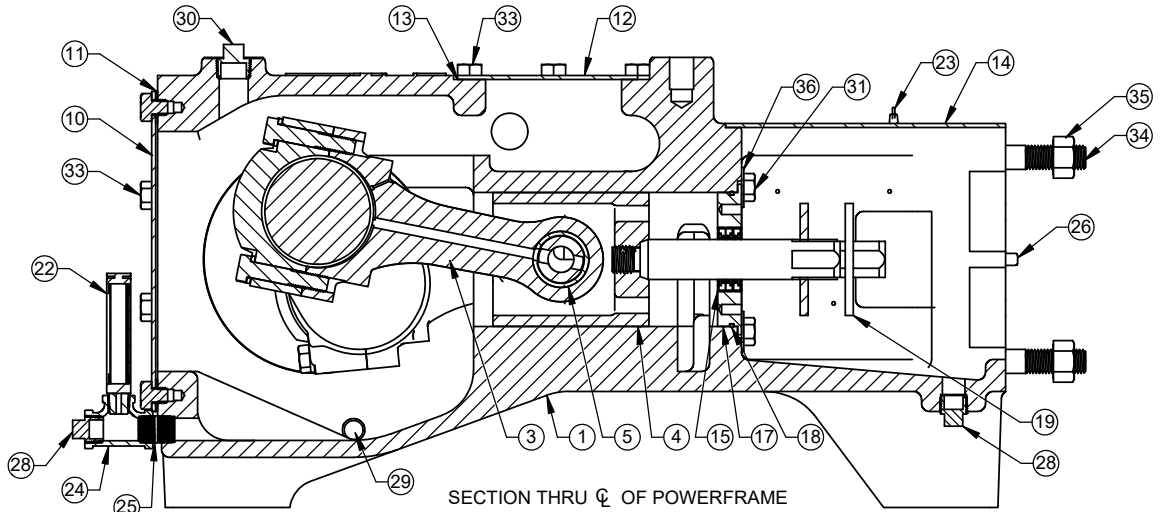
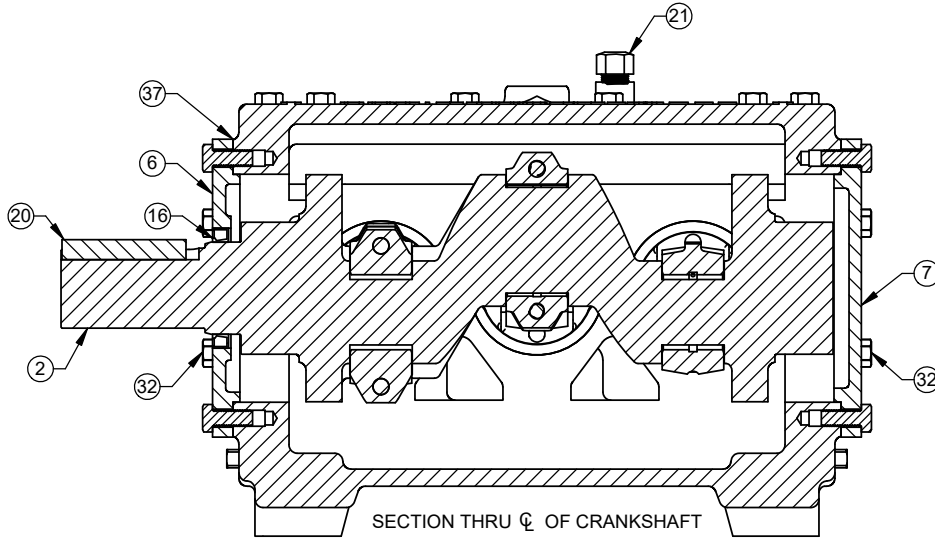
- ITEMS 27, 38 AND 39 ARE NOT SHOWN.
- LEFT HAND DRIVE SHOWN, FOR RIGHT HAND DRIVE SWITCH SHAFT TO OTHER SIDE.

NOV NATIONAL OILWELL VARGO

HOUSTON, TEXAS, U.S.A. ENGINEERING, TULSA, OKLAHOMA

TITLE: **PARTS LIST
BD-60/BD-85
POWER END WITH AUX CRANKSHAFT**

DWG NO: **BPL060PE** REV: **A** SHEET: **1** OF **1**



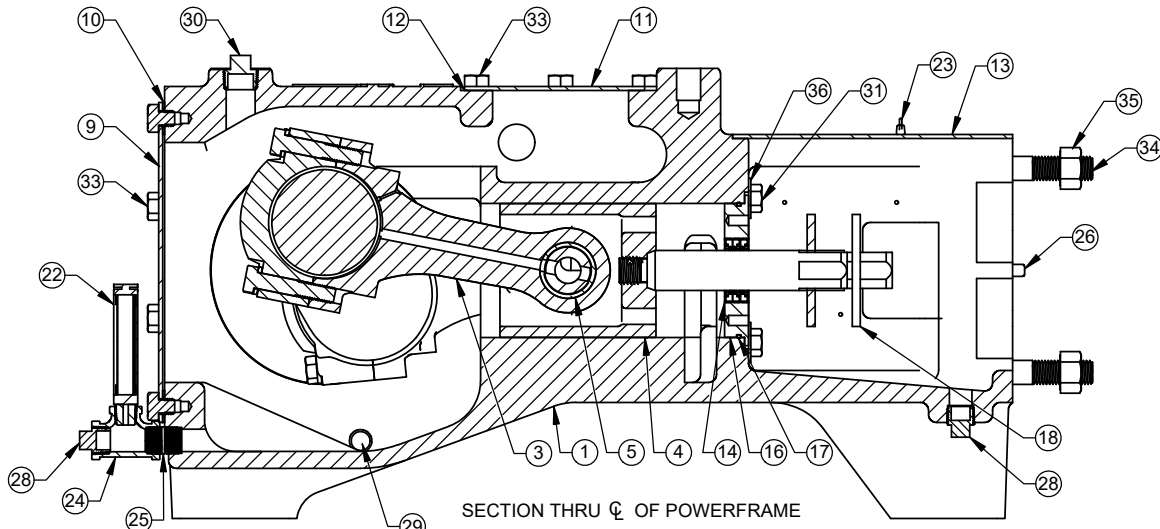
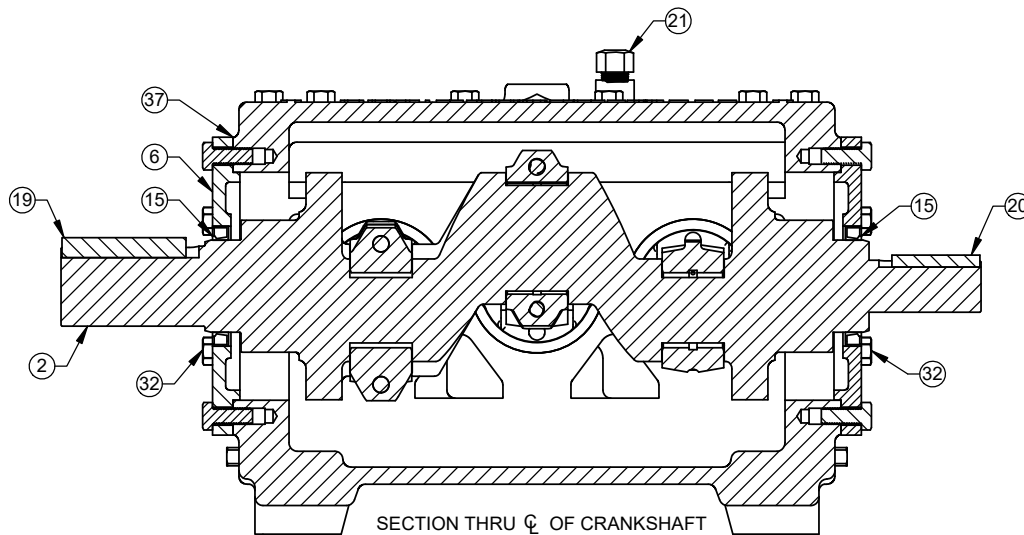
FIND #	DESCRIPTION	BD-60 PART #	BD-85 PART #	REQ'D
1	POWER FRAME	B100E0620700		1
2	CRANKSHAFT	B103D0602600	B103D0603500	1
3	CONNECTING ROD ASSEMBLY	B100418		3
4	CROSSHEAD ASSEMBLY	B100403		3
5	WRIST PIN	B119A0602700		3
6	CRANKSHAFT FRAME CAP, INBOARD	B133C0603600		1
7	CRANKSHAFT FRAME CAP, OUTBOARD	B132C0603700		1
8	CONE, CRANKSHAFT BEARING	B9610BAWA041		2
9	CUP, CRANKSHAFT BEARING	B9610CAWA001		2
10	COVER, CRANKCASE	B154B0606500		1
11	GASKET, CRANKCASE	B620B0608100		1
12	COVER, INSPECTION	B153C1203600		1
13	GASKET, INSPECTION	B621C1203700		1
14	COVER, PLUNGERS	B152C0687000		1
15	CROSSHEAD STUB OIL SEAL	B94111000150		9
16	OIL SEAL CRANKSHAFT	B94111000141		1
17	WIPER BOX	B141B1222300		3
18	GASKET, CROSSHEAD STUB SEAL	110-000155-201		3
19	DEFLECTOR	B123A0603600		3

FIND #	DESCRIPTION	BD-60 PART #	BD-85 PART #	REQ'D
20	KEY	B811B0323222		1
21	BREATHER	B9514B1E0000		1
22	OIL LEVEL INDICATOR	B9513ECAU0BB		1
23	THUMB SCREW	B9136A0404A1		2
24	REDUCING TEE	B9205BAA4ED8		1
25	NIPPLE	B920104A00D5		1
26	HARDEND STEEL PIN	B912137510A2		2
27	PLUG 3/8" SOCKET HEAD	170-038003-220		2
28	PLUG 1/2" SQUARE HEAD	170-012004-220		2
29	PLUG 1/2" SOCKET HEAD	170-012003-220		2
30	PLUG 3/4" SQUARE HEAD	170-034004-220		1
31	HEX HEAD CAP SCREW	100-012034-290		6
32	HEX HEAD CAP SCREW	100-012114-290		12
33	HEX HEAD CAP SCREW	100-038012-290		24
34	CYLINDER TIE STUD	B824A0155013		4
35	CYLINDER TIE NUT	133-034010-286		4
36	FLAT WASHER	155-012138-286		6
37	SHIM SET	B007434		1
38	TAG	PTAG-300		1
39	DRIVE SCREW	126-006516-405		4

NOTES:

- ITEMS 27, 38 AND 39 ARE NOT SHOWN.
- LEFT HAND DRIVE SHOWN, FOR RIGHT HAND DRIVE SWITCH SHAFT TO OTHER SIDE.

NOV NATIONAL OILWELL VARGO	
<small>HOUSTON, TEXAS, U.S.A. ENGINEERING, TULSA, OKLAHOMA</small>	
TITLE	
PARTS LIST BD-60/BD-85H & BD-60/BD-85U POWER END	
DWG. No:	REV
BPL060HPE	A
SHT:	1 OF 1



FIND #	DESCRIPTION	BD-60 PART #	BD-85 PART #	REQ'D
1	POWER FRAME	B100E0620700		1
2	CRANKSHAFT	B103D0602692	B103D0603592	1
3	CONNECTING ROD ASSEMBLY	B100418		3
4	CROSSHEAD ASSEMBLY	B100403		3
5	WRIST PIN	B119A0602700		3
6	CRANKSHAFT FRAME CAP, INBOARD	B133C0603600		2
7	CONE, CRANKSHAFT BEARING	B9610BAWA041		2
8	CUP, CRANKSHAFT BEARING	B9610CAWA001		2
9	COVER, CRANKCASE	B154B0606500		1
10	GASKET, CRANKCASE	B620B0608100		1
11	COVER, INSPECTION	B153C1203600		1
12	GASKET, INSPECTION	B621C1203700		1
13	COVER, PLUNGERS	B152C0687000L		1
14	CROSSHEAD STUB OIL SEAL	B94111000150		9
15	OIL SEAL CRANKSHAFT	B94111000141		2
16	WIPER BOX	B141B1222300		3
17	GASKET, CROSSHEAD STUB SEAL	110-000155-201		3
18	DEFLECTOR	B123A0603600		3
19	KEY	B811B0323222		1
20	KEY	B811B0606163		1

FIND #	DESCRIPTION	BD-60 PART #	BD-85 PART #	REQ'D
21	BREATHER	B9514B1E0000		1
22	OIL LEVEL INDICATOR	B9513ECAU0BB		1
23	THUMB SCREW	B9136A0404A1		2
24	REDUCING TEE	B9205BAA4ED8		1
25	NIPPLE	B920104A00D5		1
26	HARDEND STEEL PIN	B912137510A2		2
27	PLUG 3/8" SOCKET HEAD	170-038003-220		2
28	PLUG 1/2" SQUARE HEAD	170-012004-220		2
29	PLUG 1/2" SOCKET HEAD	170-012003-220		2
30	PLUG 3/4" SQUARE HEAD	170-034004-220		1
31	HEX HEAD CAP SCREW	100-012034-290		6
32	HEX HEAD CAP SCREW	100-012114-290		12
33	HEX HEAD CAP SCREW	100-038012-290		24
34	CYLINDER TIE STUD	B824A0155013		4
35	CYLINDER TIE NUT	133-034010-286		4
36	FLAT WASHER	155-012138-286		6
37	SHIM SET	B007434		1
38	TAG	PTAG-300		1
39	DRIVE SCREW	126-006516-405		4

NOTES:

- ITEMS 27, 38 AND 39 ARE NOT SHOWN.
- LEFT HAND DRIVE SHOWN, FOR RIGHT HAND DRIVE SWITCH SHAFT TO OTHER SIDE.

NOV NATIONAL OILWELL VARGO

HOUSTON, TEXAS, U.S.A. ENGINEERING, TULSA, OKLAHOMA

TITLE
PARTS LIST
BD-60/BD-85H & BD-60/BD-85U
POWER END WITH AUX CRANKSHAFT

DWG NO: BPL060HPE REV: A SHEET: 1 OF 1