

BD-30

BEAR™ Reciprocating Plunger Pump Parts List

Material Options for Fluid End Parts:

The suffix of the part number determines the material.

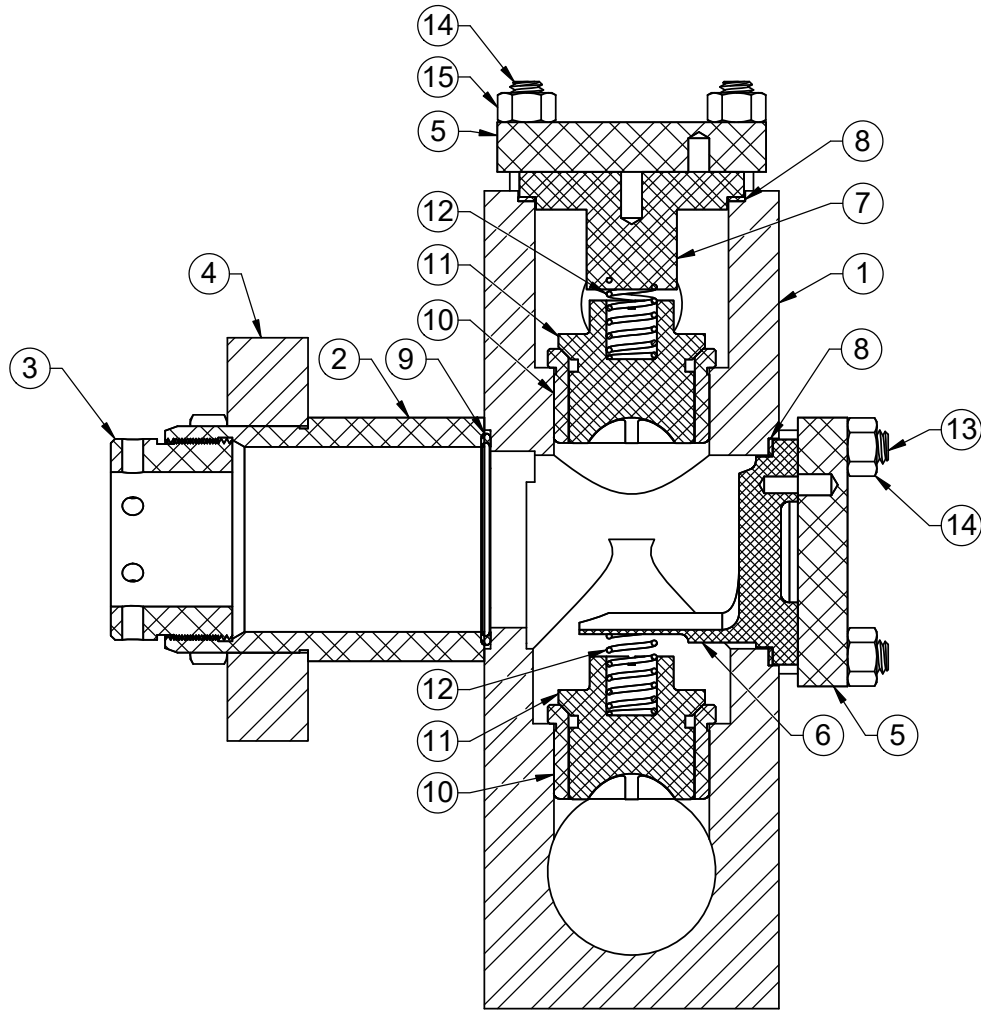
Part Number Suffix:

- None= Carbon Steel
- S= Stainless Steel
- D1= Super Duplex Stainless Steel
- B7= Bronze
- P= Peek

	Material Options			
	Carbon Steel	Stainless Steel	Super Duplex Stainless Steel	Bronze
Forged Fluid End	X	X		
Casted Fluid End	X		X	
Stuffing Box	X	X	X	
Gland Nut	X	X	X	X
Stuffing Box Flange	X	X	X	
Valve Covers	X	X	X	
Suction Stop	X	X	X	
Discharge Stop	X	X	X	
Suction Manifold	X	X	X	
Discharge Manifold	X	X	X	

Example:

B123A456789 is a made-up part number. B123A456789S would be the stainless steel version of that part.

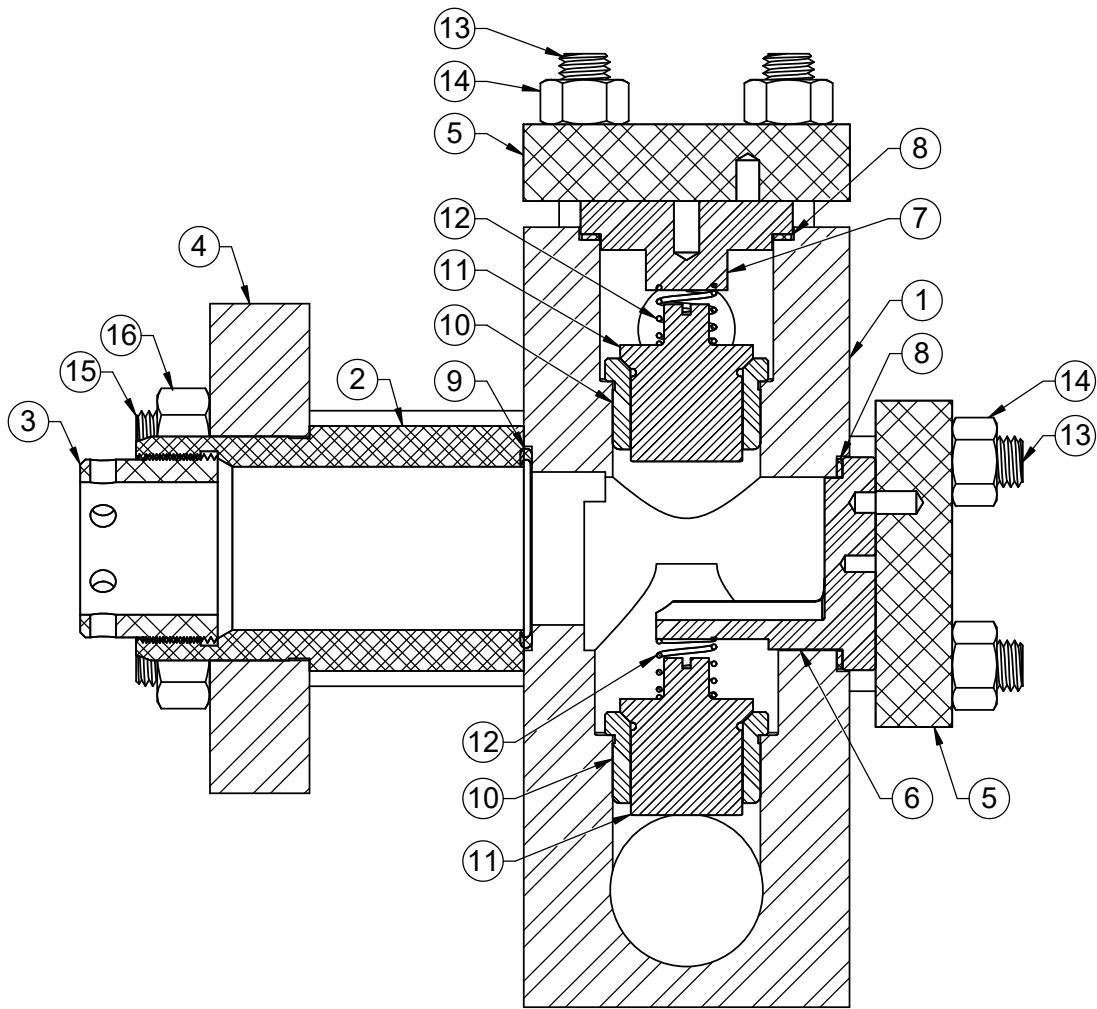


FIND #	DESCRIPTION	PART NUMBER	REQ'D
1	STUDDED FLUID END (NPT/SOCKET)	B301D0624000/B301D0624001	1
2	STUFFING BOX 2.25-2.00 (NONE LUBE/LUBE)	B337B0644100/B337B0627200	3
	STUFFING BOX 1.875-1.625 (NONE LUBE/LUBE)	B337B0644200/B337B0627300	
3	GLAND NUT 2.25-2.00	B338B0627702	3
	GLAND NUT 1.875-1.625	B338B0627701	
4	STUFFING BOX FLANGE	B366C0630200	1
5	VALVE COVER	B317B0658500	6
6	SUCTION STOP	B368C0659900	3
7	DISCHARGE STOP	B370A0644000	3
8	DISCHARGE GASKET (SYNTHETIC/COPPER)	B619B0608405/B619B0608405-1	6
9	STUFFING BOX GASKET	B622B0647506	3
10	VALVE SEAT	B322B0808800	6
11	VALVE BODY	B320B0627500	6
12	SPRING	B334B0634801	6
13	VALVE COVER STUD	B824A0154809	REF (24)
14	VALVE COVER NUT	133-012013-286	REF (24)
15	STUFFING BOX STUD	B824A0154921	REF (8)
16	STUFFING BOX NUT	133-058011-286	REF (8)

NOTES:

- ITEM 16 AND 17 NOT SHOWN
- THESE ARE THE CARBON STEEL OPTION PART NUMBERS ONLY. STAINLESS STEEL, DUPLEX STAINLESS STEEL AND BRONZE ARE AVAILABLE ON SOME PARTS.
- FOR PACKING OPTIONS CONTACT NOV

NOV NATIONAL OILWELL VARCO	
HOUSTON, TEXAS, U.S.A.	ENGINEERING, TULSA, OKLAHOMA
PARTS LIST BD-30L FLUID END	
DWG NO: BPL030LFE	REV: A SH: 1 OF 1

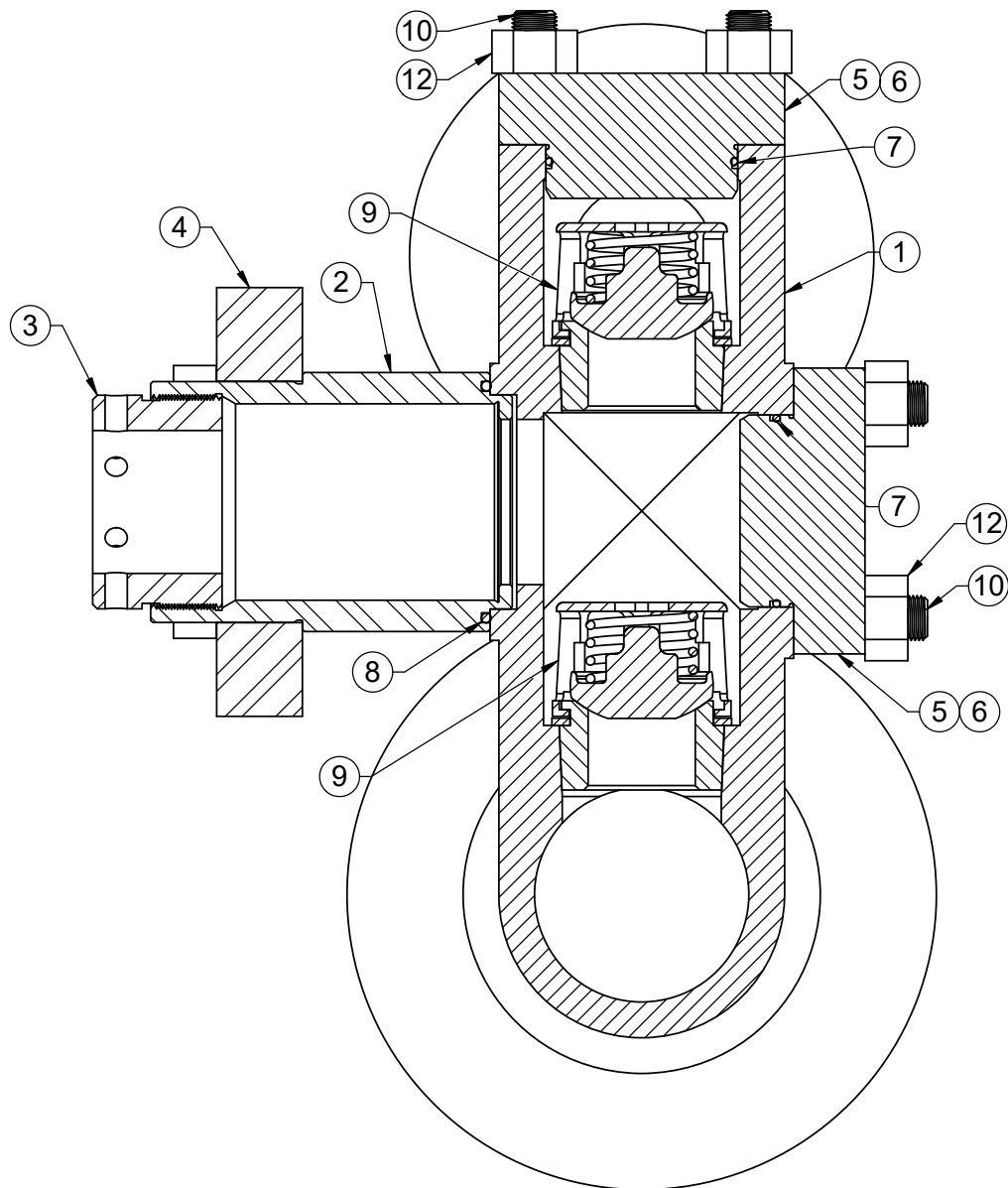


FIND #	DESCRIPTION	PART NUMBER	REQ'D
1	STUDED FLUID END (NPT/SOCKET)	B301E0603700/B301E0603701	1
2	STUFFING BOX 1.50-1.25 (NONE LUBE/LUBE)	B337B0644300/B337B0624700	3
	STUFFING BOX 1.125-1.00 (NONE LUBE/LUBE)	B337B0644400/B337B0628600	
3	GLAND NUT 1.50-1.25	B338B0624802	3
	GLAND NUT 1.125-1.00	B338B0624801	
4	STUFFING BOX FLANGE	B366C0625800	1
5	VALVE COVER	B317B0727600	6
6	SUCTION STOP	B368A0625700	3
7	DISCHARGE STOP	B370B0727700	3
8	DISCHAGE GASKET (SYNTHETIC/COPPER)	B619B0608403/B619B0608403-1	6
9	STUFFING BOX GASKET	B622B0647503	3
10	VALVE SEAT	B322B0824400	6
11	VALVE BODY	B320B0792300	6
12	SPRING	B334B0634701	6
13	VALVE COVER STUD	B824A0154911	REF (24)
14	VALVE COVER NUT	133-058011-286	REF (24)
15	STUFFING BOX STUD	B824A0155022	REF (8)
16	STUFFING BOX NUT	133-034010-286	REF (8)

NOTES:

1. THESE ARE THE CARBON STEEL OPTION PART NUMBERS ONLY. STAINLESS STEEL, DUPLEX STAINLESS STEEL AND BRONZE ARE AVAILABLE ON SOME PARTS.
2. FOR PACKING OPTIONS CONTACT NOV

NOV NATIONAL OILWELL VARCO	
<small>HOUSTON, TEXAS, U.S.A.</small>	<small>ENGINEERING, TULSA, OKLAHOMA</small>
PARTS LIST BD-30M FLUID END	
<small>DWG No:</small> BPL030MFE	<small>REV:</small> A <small>SH:</small> 1 <small>OF:</small> 1



FIND #	DESCRIPTION	PART NUMBER	REQ'D
1	STUDDED FLUID END	B301B03222**	1
2	STUFFING BOX 2.000-2.250 (NONE LUBE/LUBE)	B337A0322200/B337A0322201	3
	STUFFING BOX 1.625-1.875 (NONE LUBE/LUBE)	B337A0322100/B337A0322101	
3	GLAND NUT 2.000-2.250	B338B0627702	3
	GLAND NUT 1.625-1.875	B338B0627701	
4	STUFFING BOX FLANGE	B366C0630200	1
5	VALVE COVER, CENTER	B317B0658700	2
6	VALVE COVER, OUTER	B317B0658600	4
7	VALVE COVER O-RING (BUNA/VITON)	110-000144-200/110-000144-599	6
8	STUFFING BOX O-RING (BUNA/VITON)	110-000235-200/110-000235-599	3
9	VALVE ASSEMBLY	179100025W	6
10	VALVE COVER STUDS	B824A0156910	REF (16)
11	CYLINDER TIE STUDS	B824A0154921	REF (8)
12	VALVE COVER/CYLINDER TIE NUT	134-058018-286	REF (24)

NOTES:

- ITEM 11 NOT SHOWN
- THESE ARE THE CARBON STEEL OPTION PART NUMBERS ONLY. STAINLESS STEEL, DUPLEX STAINLESS STEEL AND BRONZE ARE AVAILABLE ON SOME PARTS.
- FOR PACKING OPTIONS CONTACT NOV

NOV NATIONAL OILWELL VARGO	
<small>HOUSTON, TEXAS, U.S.A. ENGINEERING, TULSA, OKLAHOMA</small>	
TITLE: PARTS LIST BD-30LCF FLUID END	
DWG No: BPL030LCFFE	REV: A SH: 1 OF 1

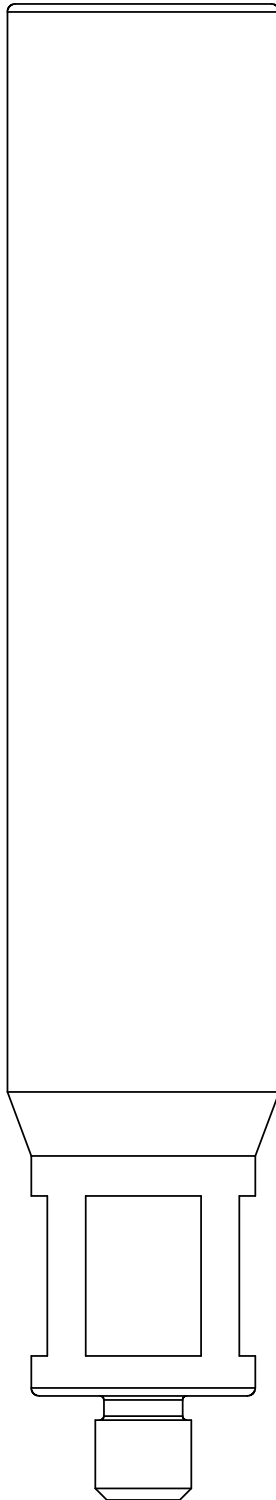
STUDED FLUID END BD-30LCF PART NUMBERS

ANSI RAISED FACE			ANSI RAISED FACE		
PART #	2" DISCHARGE	3" SUCTION	PART #	2" DISCHARGE	3" SUCTION
B301B0322201	600#	600#	B301B0322206	600#	600#
B301B0322202	600#	300#	B301B0322207	600#	300#
B301B0322203	600#	150#	B301B0322208	600#	150#
B301B0322204	300#	300#	B301B0322209	300#	300#
B301B0322205	300#	150#	B301B0322210	300#	150#

NOTES:

1. THESE ARE REFERENCE FOR THE STUDED FLANGED FLUID ENDS ON THE BD-30LCF.
2. THESE ARE THE CARBON STEEL OPTION PART NUMBERS ONLY. STAINLESS STEEL, DUPLEX STAINLESS STEEL AND BRONZE ARE AVAILABLE ON SOME PARTS.

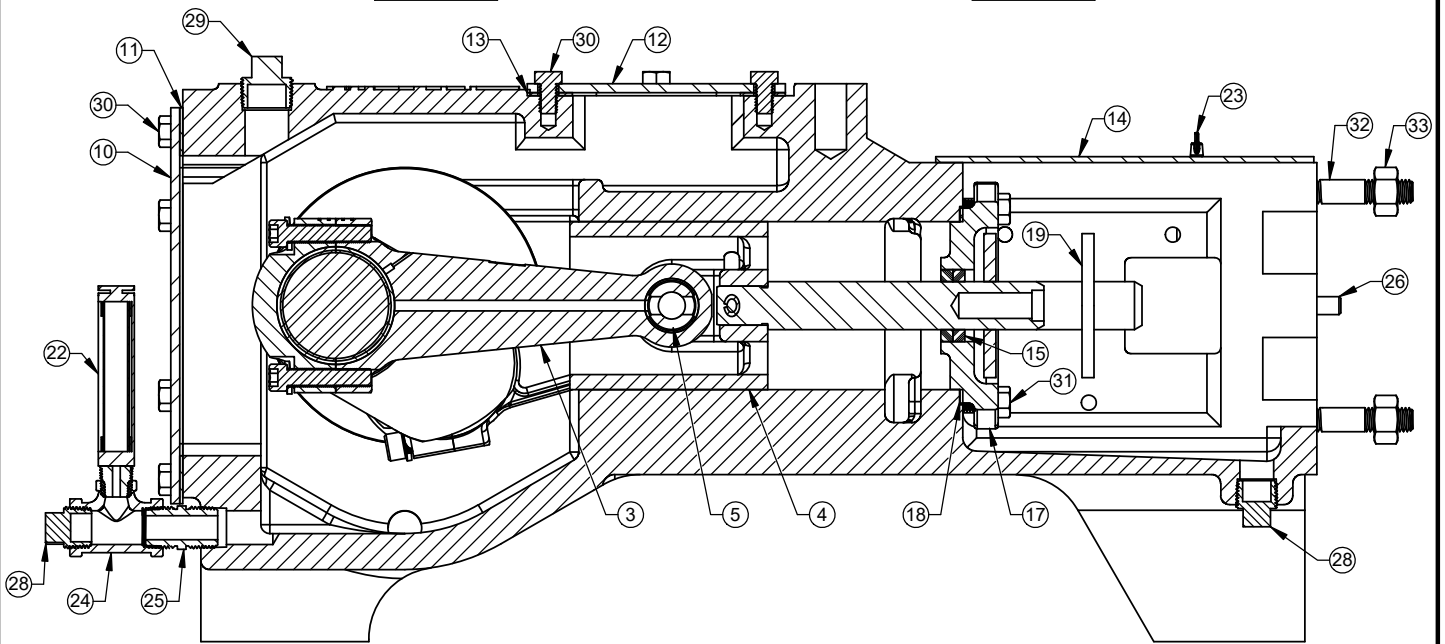
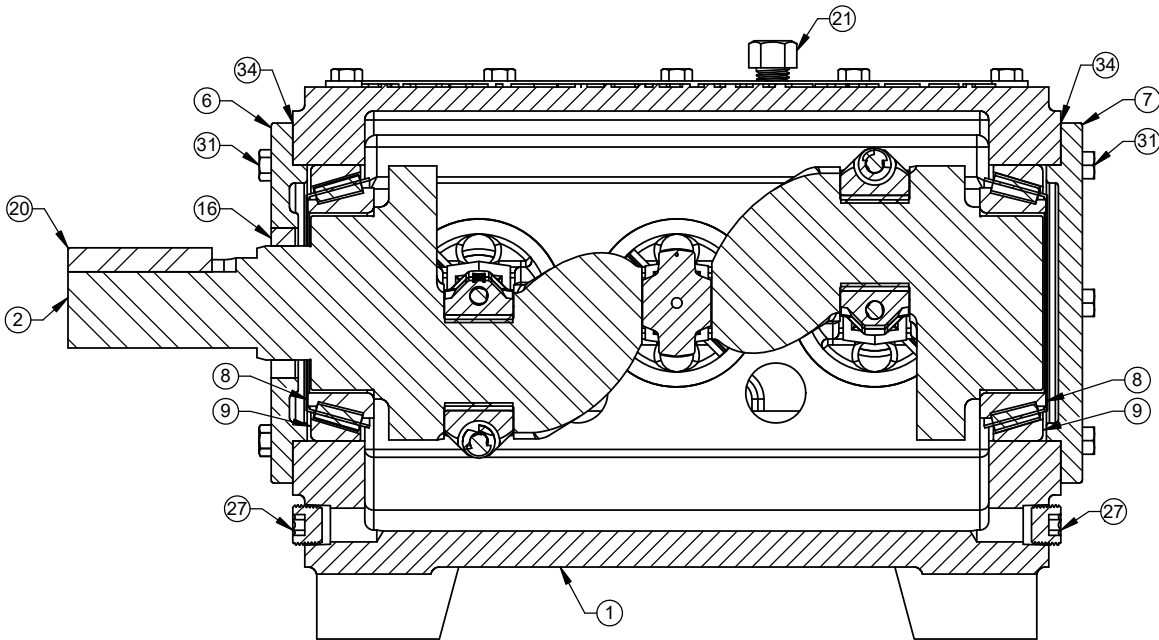
NOV NATIONAL OILWELL VARGO		
<small>HOUSTON, TEXAS, U.S.A.</small>	<small>ENGINEERING, TULSA, OKLAHOMA</small>	
TITLE: PARTS LIST STUDED FLANGED FLUID ENDS BD-30		
<small>DWG No:</small> BPL030FFE	<small>REV:</small> A	<small>SHT:</small> 1 of 1



FIND #	DIAMETER	PART NUMBER	REQ'D
1	1.000	B353B0657601	3
	1.125	B353B0657602	
	1.250	B353B0657603	
	1.375	B353B0657604	
	1.500	B353B0657605	
	1.625	B353B0645601	
	1.750	B353B0645602	
	1.875	B353B0645603	
	2.000	B353B0645604	
	2.125	B353B0645605	
	2.250	B353B0645606	

MATERIAL SUFIX		
SUFIX	COATING	BASE MATERIAL
NONE	COLMONOY	CARBON STEEL
T	TUNGSTUN CARBIDE	STAINLESS STEEL
C	CERAMIC	STAINLESS

NOY NATIONAL OILWELL VARGO		
<small>HOUSTON, TEXAS, U.S.A. ENGINEERING, TULSA, OKLAHOMA</small>		
TITLE: PARTS LIST BD-30 PLUNGERS		
DWG. No.:	REV: A	SHT: 1 OF 1



FIND #	DESCRIPTION	PART #	REQ'D
1	POWER FRAME	B100E0365000	1
2	CRANKSHAFT	B103D0611400	1
3	CONNECTING ROD ASSEMBLY	B100408	3
4	CROSSHEAD ASSEMBLY	B100407	3
5	WRIST PIN	B119A0616800	3
6	CRANKSHAFT FRAME CAP. INBOARD	B133B0623700	1
7	CRANKSHAFT FRAME CAP. OUTBOARD	B132B0623800	1
8	CONE, CRANKSHAFT BEARING	B9610BETA041	2
9	CUP, CRANKSHAFT BEARING	B9610CETA001	2
10	COVER, CRANKCASE	B154B0624400	1
11	GASKET, CRANKCASE	B620B0625400	1
12	COVER, INSPECTION	B153C1366900	1
13	GASKET, INSPECTION	B621C1367000	1
14	COVER, PLUNGERS	B152C0638600	1
15	CROSSHEAD STUB OIL SEAL	B94111000103	6
16	OIL SEAL CRANKSHAFT	B94111000134	1
17	WIPER BOX	B141B0624200	3
18	GASKET, CROSSHEAD STUB SEAL	B623A0619502	3

FIND #	DESCRIPTION	PART #	REQ'D
19	DEFLECTOR	B123A0617800	3
20	KEY	B811B0323120	1
21	BREATHER	B9514B1D0000	1
22	OIL LEVEL INDICATOR	B9513ECAB0BB	1
23	THUMB SCREW	B9136A0404A1	2
24	REDUCING TEE	B9205BAA4ED8	1
25	NIPPLE	70113103	1
26	HARDEND STEEL PIN	B912137510A2	2
27	PLUG 1/2" SOCKET HEAD	170-012003-220	2
28	PLUG 1/2" SQUARE HEAD	170-012004-220	2
29	PLUG 3/4" SQUARE HEAD	170-034004-220	1
30	HEX HEAD CAP SCREW	100-038058-290	20
31	HEX HEAD CAP SCREW	100-038100-290	18
32	STUD, CYLINDER TIE	B643A0617900	4
33	HEX NUT	133-012013-286	4
34	SHIM	B010967	1
35	TAG	PTAG-300	1
36	DRIVE SCREW	126-006516-405	4

NOTES:

- ITEMS 35 AND 36 ARE NOT SHOWN.
- LEFT HAND DRIVE SHOWN, FOR RIGHT HAND DRIVE SWITCH SHAFT TO OTHER SIDE.

NOV NATIONAL OILWELL VARGO	
HOUSTON, TEXAS, U.S.A.	ENGINEERING, TULSA, OKLAHOMA
TITLE:	PARTS LIST BD-30 POWER END
DRAWING NO:	REV: A
BPL030PE	SHEET: 1 OF 1