

# Leak Free Stuffing Boxes



A sealing solution that truly minimizes environmental impact, requires minimal maintenance and provides leak free operation in the harshest environments for extended periods of time.

Our leak free stuffing boxes ensure complete sealing by providing simultaneous dynamic and static sealing with the added protection of a gas exclusion system and optional leak monitoring / indicating equipment. Produced fluids are routed down the flow line keeping them off the wellhead and, most importantly, off the ground.

## Dynamic Sealing

This stuffing box system provides the critical protection to the environment while ensuring the stuffing boxes' internal components are guarded from contamination. This system is available in two configurations: Dual Mechanical Seal (DMS) and Triple Lip Seal (TMS).

## Static Sealing

A Z-Seal packing arrangement maintains a continuous seal between the polished rod and the stuffing box shaft as they rotate in unison.

## Gas Exclusion

An integrated oil filled standpipe and roto glyd ring are fitted to each leak free stuffing box to prevent gas ingress.

## Features and Benefits

- Twin bearing arrangement that isolates the seal package from polished rod side loading and misalignment
- Available as integral (direct connection to the drive head) or retrofit (using a booth)
- Easy fitting of the cartridge-style seal carrier stack
- Seal package is mechanically locked in the housing cavity for proper performance
- Positive keyed drive of seal sleeve
- Internal stand pipe added to divert produced gases away from dynamic sealing faces
- All static O-rings are made of FPM



## Leak Free Stuffing Boxes

---

### Dual Mechanical Seal (DMS) Leak Free Stuffing Box

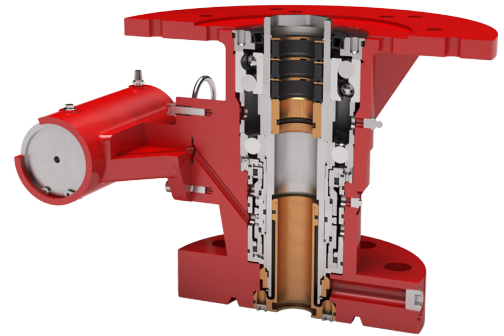
A cartridge arrangement equipped with high pressure mechanical seals. Our system is hydraulically balanced with wave springs while tungsten carbide and carbon graphite seal faces provide exceptional abrasion resistance and durability. It also offers a visible indication to any breaches of the primary seal by means of the extendable piston in the leak detection unit.

#### Features

- Cartridge system equipped with high pressure tungsten carbide and carbon graphite mechanical seals
- Wave springs provide hydraulic balancing
- Visual leak detection system

#### Specifications

- Flange size: 3 1/8" 3000 psi API, R31 gasket
- Polished Rod Sizes: 1 1/4", 1 1/2"
- Maximum Operating Speed: 600 rpm
- Maximum Operating Pressure: 500 psi
- Maximum Static Pressure: 2,000 psi
- Maximum Operating Temperature: 120°C



### Triple Lip Seal (TLS) Leak Free Stuffing Box

A cartridge arrangement equipped with high performance lip seals that seal against a rotating hardened shaft. Our arrangement of the seals and seal carriers in the cartridge produces two sealed chambers. The lower chamber absorbs any breaches of the first seal, while the upper chamber provides redundancy for increased safety and extended run life.

#### Features

- Cartridge system equipped with high performance lip seals
- Hardened shaft sleeve for extended operation
- Dedicated seal lubrication reservoir
- Optional visual leak detection indicator

#### Specifications

- Flange size: 3 1/8" 3000 psi API, R31 gasket
- Polished Rod Sizes: 1 1/4", 1 1/2"
- Maximum Operating Speed: 600 rpm
- Maximum Operating Pressure: 500 psi
- Maximum Static Pressure: 2,000 psi
- Maximum Operating Temperature: 120°C

