

Electric Secondary Winches



Your partner for a Lifetime of Lifting

The line of electric driven Secondary Winches (SW) from NOV™ is based on their vast design experience and manufacturing of cranes for the offshore construction industry. NOV offers products with line pull capacity from 120T to 300T.



cranes@nov.com

nov.com

Electric Secondary Winches

Drive System

The Secondary Winches are all electrically driven, using asynchronous- or permanent-magnet electric motors with a frequency drive control system.

The electric drive system ensures safety, high efficiency and smooth operation.

Safety Features

The equipment is designed for use onboard an AHTS vessel classified according to DNV Rules

All winches have Emergency Stop. The larger size models also have an Emergency Release System and High Speed Payout assisted by a multi disk water-cooled brake system.

The drive and control system are fully electric. They provide continuous control from zero to maximum rated values under all load and speed conditions.

Control and Monitoring

The Secondary Winches are controlled from the control chair on the bridge that belongs to the main NOV AHT Winch System.

The controls are operated using joy sticks assisted by touch screen settings.

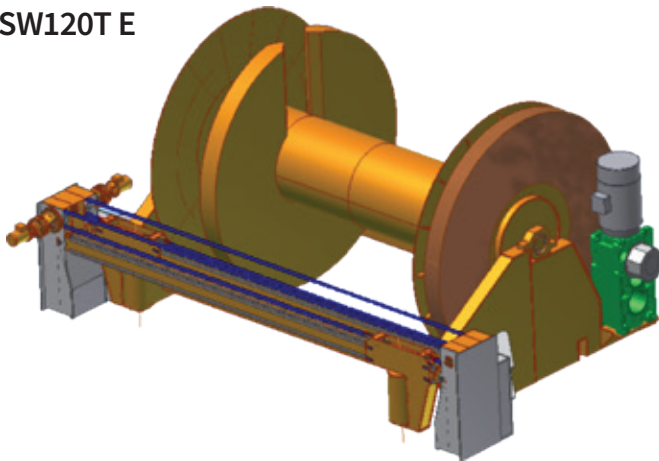
Line speed is monitored by tachometers.

Payout or pull in lengths are monitored and displayed.

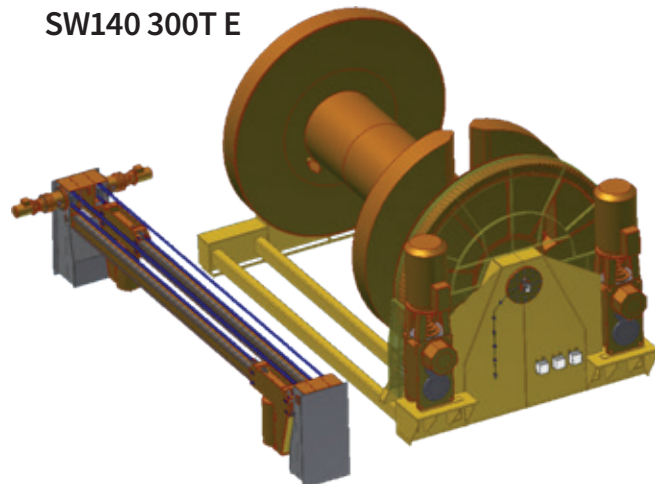
Load/tension monitoring is also provided.

Model	SW120T E	SW140T E	SW170T E	SW200T E	SW250T E	SW300T E
Winch Capacity (Max. Line Pull)	120T	140T	170T	200T	250T	300T
Drum Length (Main/Socket Comp.)	4,500/1,100mm	4,500/1,100mm	4,500/1,100mm	4,500/1,100mm	4,500/1,100mm	4,500/1,100mm
Drum/Flange Diameter	1,500/4,500mm	1,500/4,500mm	1,500/4,500mm	1,500/4,500mm	1,500/4,500mm	1,500/4,500mm
Wire/Rope Diameter	64/230 mm	71/230 mm	76/230 mm	84/230 mm	90/230 mm	96/230 mm
Drum Capacity (Wire)	7,600 m	7,100 m	6,900 m	6,400 m	6,100 m	5,900 m
Wire Speed (Max/Part Load)	19/35 m/min	22/39 m/min	20/37 m/min	20/37 m/min	20/37 m/min	20/37 m/min
Dry Weight Winch and Sp.Device	56,000 kg	79,000 kg	83,000 kg	86,000 kg	90,000 kg	95,000 kg
Max. Weight of Wire on Drum	132,000 kg	150,000 kg	170,000 kg	185,000 kg	210,000 kg	230,000 kg
Power Consumption (approx.)	500 kW	570 kW	660 kW	800 kW	1000 kW	1200 kW

SW120T E



SW140 300T E



Spooling

Spooling can be electric or hydraulic. In addition, it is either semi-automatic or manual.

Socket Compartments

Socket compartments can be on either side with various widths.

Painting Specification

- Full coat system by Jotun 340 my DFT
- Color RAL 1006 (unless other requested)

Custom Design

It is possible to supply winches with line pull and drum size/ storage capacity different from specified in this brochure, upon the customer's request.

