

Ameron™

VBZRNT Small Cell Support Structure

Integrated flexibility to adapt to your changing networking needs.

Expand your cellular coverage and increase network infrastructure with our VBZRNT small cell pole. Designed with unique aggregates to blend with any environment, the VBZRNT conforms to your architectural requirements and provides a durable, environmentally-friendly solution to keep network connectivity uninterrupted.

Features and Benefits

- Prestressed steel and highest quality concrete are centrifugally cast for ultimate strength, durability and vibration resistance.
- Natural stone and terrazzo aggregates maintain a like new appearance with virtually no maintenance.
- Conforms to applicable sections of ACI, AASHTO, ASTM, and IBC standards.
- Exclusive 10-year warranty

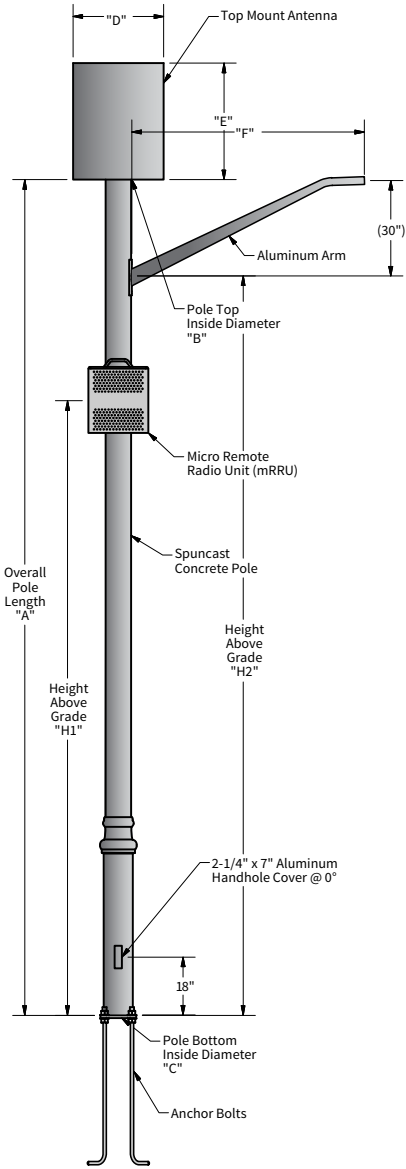
Colors and Finishes

A wide range of standard, pre-formulated and custom colors are available. The concrete shafts are lightly blasted to expose the texture and color of the natural stone. See separate Aggregates and Finishes sheet for details. We offer Amershield™, a premium graffiti-resistant coating, as well as other durable sealers and protectants that further enhance colors, protect the concrete surface and aid in the removal of graffiti.



Ameron™ VBZRNT Small Cell Support Structure

Complete the below table with your requirements and submit.



Pole Type Data			
Pole Type	Overall Pole Length "A"	Top I.D. "B"	Bottom I.D. "C"
VBZRNTX06.6	21'-6"	4-1/2"	4-1/2"

Top Mount Antenna Data		
Diameter "D"	Height "E"	Weight

Micro Remote Radio Unit (mRRU)					
Quantity	Height (A.G.) "H1"	Width	Weight	Orientation	EPA (sq. ft.)

Arm Data			
Quantity	Height (A.G.) "H2"	Length "F"	Orientation

Extra Handhole(s)		
Quantity	Height (A.G.)	Orientation

Other Accessories				
Description	Height (A.G.)	Weight	EPA (sq. ft.)	Orientation

Additional specifications available. Contact NOV for more information.

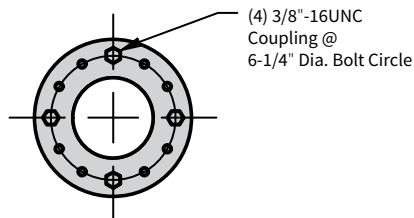
Specifications: Use Contemporary Specifications.

Colors and finishes: See Contemporary Color Selection Guide.

Luminaire mounting: See technical-mounting options section for more information.

Anti-graffiti and sealer: Optional coatings available for added protection.

Pole Top Couplings



Pole Orientation

