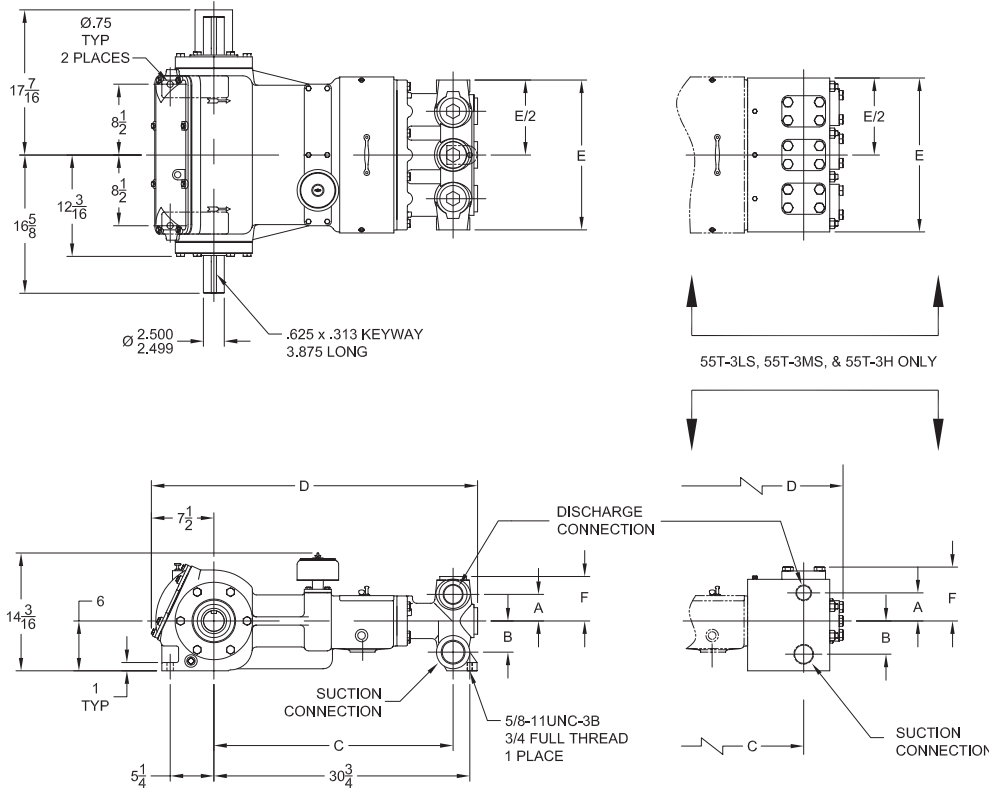


55T-3 Triplex Plunger Pump



Specifications

- Pump Size:**
 maximum plunger size x stroke length, in.(mm)
 2.500 x 3.000 (63.5 x 76.2)
- Rated BHP (kW) at 500 RPM:** 55 (41)
- Rated plunger load, pounds (kg):** 4370 (1982)
- Maximum discharge pressure:** psi (kPa)
- "L" model: 1391 (9591)
 - "SC" model: 1817 (12527)
 - "LS" model: 1480 (10204)
 - "M" model: 1817 (12527)
 - "MS" model: 2473 (17050)
 - "H" model: 3300 (22753)
- Crankshaft extension:**
 Diameter, in.(mm): 2.500 (63.5)
 Length, in.(mm): 3.875 (98.43)
 Keyway width x depth, in.(mm):
 $5/8 \times 5/16$ (15.88 x 7.94)
 Maximum recommended sheave
 in.(mm): 38 (965.2)
- For larger sizes: **Contact Factory**
- Oil Capacity, gallons (L)**
 Crankcase: 2.50 (9.46)
- Weight, pump only on**
 wood shipping skids, pounds (kg): 1070 (485)
 Weight varies with pump model
- Standard Materials for Fluid Ends:**
- "L" & "M" models
 Cast Nickel-Aluminum-Bronze
 - "SC" model
 Cast Ductile Iron
 - "LS", "MS", & "H" models
 Carbon Steel Plate

Pump Model	Flange Connections		Dimensions (Inches)					
	Discharge Connection Sizes	Suction Connection Sizes	A	B	C	D	E	F
55T-3L	2 (50.8)-11 1/2 NPT	2 1/2 (63.5)-8 NPT	3 3/16	3 3/4	28 3/4	39 3/16	18	5 11/32
55T-3SC	2 (50.8)-11 1/2 NPT	2 1/2 (63.5)-8 NPT	3 3/16	3 3/4	28 3/4	41	18	6 13/32
55T-3LS	1 1/2 (38.1)-11 1/2 NPT	2 (50.8)-11 1/2 NPT	3 3/8	4	28 3/4	41	18 1/2	6 15/32
55T-3M	2 (50.8)-11 1/2 NPT	2 1/2 (63.5)-8 NPT	3 3/16	3 3/4	28 3/4	39 3/16	18	5 11/32
55T-3MS	1 1/2 (38.1)-11 1/2 NPT	2 (50.8)-11 1/2 NPT	3 3/8	4	28 3/4	41	18 1/2	6 15/32
55T-3H	1 1/2 (38.1)-11 1/2 NPT	2 (50.8)-11 1/2 NPT	3 3/8	4	28 3/4	41	18 1/2	6 15/32

55T-3 Triplex Plunger Pump

Performance Data

PUMP	English Units					100 RPM		200 RPM		250 RPM		350 RPM		420 RPM		500 * RPM	
	Plunger Dia. In.	Plunger Area Sq. In.	BPD per RPM	GPM per RPM	Max. Press. PSI	BPD	GPM	BPD	GPM	BPD	GPM	BPD	GPM	BPD	GPM	BPD	GPM
55T-3L (3364-7)	2.500	4.9087	6.5571	0.1912	890	656	19.12	1312	38.25	1640	47.81	2295	66.94	2754	80.32	3279	95.62
	2.250	3.9761	5.3113	0.1549	1099	532	15.49	1063	30.98	1328	38.73	1859	54.22	2231	65.06	2656	77.46
	2.000	3.1416	4.1966	0.1224	1391	420	12.24	840	24.48	1050	30.60	1469	42.84	1763	51.41	2099	61.20
55T-3SC (3364-5SC)	2.250	3.9761	5.3113	0.1549	1099	532	15.49	1063	30.98	1328	38.73	1859	54.22	2231	65.06	2656	77.46
	2.000	3.1416	4.1966	0.1224	1391	420	12.24	840	24.48	1050	30.60	1469	42.84	1763	51.41	2099	61.20
	1.750	2.4053	3.2130	0.0937	1817	322	9.37	643	18.74	804	23.43	1125	32.80	1350	39.36	1607	46.86
55T-3LS (3364-6)	2.500	4.9087	6.5571	0.1912	890	656	19.12	1312	38.25	1640	47.81	2295	66.94	2754	80.32	3279	95.62
	2.250	3.9761	5.3113	0.1549	1099	532	15.49	1063	30.98	1328	38.73	1859	54.22	2231	65.06	2656	77.46
	2.000	3.1416	4.1966	0.1224	1391	420	12.24	840	24.48	1050	30.60	1469	42.84	1763	51.41	2099	61.20
55T-3M (3364-3)	1.750	2.4053	3.2130	0.0937	1817	322	9.37	643	18.74	804	23.43	1125	32.80	1350	39.36	1607	46.86
	1.500	1.7671	2.3606	0.0688	1817	237	6.88	473	13.77	591	17.21	827	24.10	992	28.92	1181	34.42
	1.250	1.2272	1.6393	0.0478	1817	164	4.78	328	9.56	410	11.95	574	16.73	689	20.08	820	23.91
55T-3MS (3364-2)	1.750	2.4053	3.2130	0.0937	1817	322	9.37	643	18.74	804	23.43	1125	32.80	1350	39.36	1607	46.86
	1.500	1.7671	2.3606	0.0688	2473	237	6.88	473	13.77	591	17.21	827	24.10	992	28.92	1181	34.42
55T-3H (3364-1)	1.250	1.2272	1.6393	0.0478	3300	164	4.78	328	9.56	410	11.95	574	16.73	689	20.08	820	23.91
	1.000	0.7854	1.0491	0.0306	3300	105	3.06	210	6.12	263	7.65	368	10.71	441	12.85	525	15.30
Brake Horsepower Required						11		22		28		39		46		55	

PUMP	Metric Units					100 RPM		200 RPM		250 RPM		350 RPM		420 RPM		500 * RPM	
	Plunger Dia. mm	Plunger Area cm ²	M ³ /Hr per RPM	L/Sec. per RPM	Max. Press. kPa	M ³ /Hr	L/Sec.	M ³ /Hr	L/Sec.	M ³ /Hr	L/Sec.	M ³ /Hr	L/Sec.	M ³ /Hr	L/Sec.	M ³ /Hr	L/Sec.
55T-3L (3364-7)	64	31.669	0.0434	0.0121	6138	4.34	1.21	8.69	2.41	10.86	3.02	15.20	4.22	18.24	5.07	21.72	6.03
	57	25.652	0.0352	0.0098	7578	3.52	0.98	7.04	1.95	8.80	2.44	12.31	3.42	14.78	4.10	17.59	4.89
	51	20.268	0.0278	0.0077	9591	2.78	0.77	5.56	1.54	6.95	1.93	9.73	2.70	11.67	3.24	13.90	3.86
55T-3SC (3364-5SC)	57	25.652	0.0352	0.0098	7578	3.52	0.98	7.04	1.95	8.80	2.44	12.31	3.42	14.78	4.10	17.59	4.89
	51	20.268	0.0278	0.0077	9591	2.78	0.77	5.56	1.54	6.95	1.93	9.73	2.70	11.67	3.24	13.90	3.86
	44	15.518	0.0213	0.0059	12527	2.13	0.59	4.26	1.18	5.32	1.48	7.45	2.07	8.94	2.48	10.64	2.96
55T-3LS (3364-6)	64	31.669	0.0434	0.0121	6138	4.34	1.21	8.69	2.41	10.86	3.02	15.20	4.22	18.24	5.07	21.72	6.03
	57	25.652	0.0352	0.0098	7578	3.52	0.98	7.04	1.95	8.80	2.44	12.31	3.42	14.78	4.10	17.59	4.89
	51	20.268	0.0278	0.0077	9591	2.78	0.77	5.56	1.54	6.95	1.93	9.73	2.70	11.67	3.24	13.90	3.86
55T-3M (3364-3)	44	15.518	0.0213	0.0059	10204	2.13	0.59	4.26	1.18	5.32	1.48	7.45	2.07	8.94	2.48	10.64	2.96
	38	11.401	0.0156	0.0043	12527	1.56	0.43	3.13	0.87	3.91	1.09	5.47	1.52	6.57	1.82	7.82	2.17
	32	7.917	0.0109	0.0030	12527	1.09	0.30	2.17	0.60	2.71	0.75	3.80	1.06	4.56	1.27	5.43	1.51
55T-3MS (3364-2)	44	15.518	0.0213	0.0059	12527	2.13	0.59	4.26	1.18	5.32	1.48	7.45	2.07	8.94	2.48	10.64	2.96
	38	11.401	0.0156	0.0043	17050	1.56	0.43	3.13	0.87	3.91	1.09	5.47	1.52	6.57	1.82	7.82	2.17
55T-3H (3364-1)	32	7.917	0.0109	0.0030	22753	1.09	0.30	2.17	0.60	2.71	0.75	3.80	1.06	4.56	1.27	5.43	1.51
	25	5.067	0.0069	0.0019	22753	0.69	0.19	1.39	0.39	1.74	0.48	2.43	0.68	2.92	0.81	3.47	0.97
Kilowatts Required						8		16		21		29		35		41	

For operation below 100 RPM, an auxiliary lubrication system is required.

Volumetric Rate is based on 100% Volumetric Efficiency. Brake Horsepower/Kilowatts Required is based on 90% Mechanical Efficiency.*For Speeds above 420 RPM - consult the Factory.

The information and data on this sheet is accurate to the best of our knowledge and belief, but are intended for general information only. Applications suggested for the materials are described only to help readers make their own evaluations and decisions, and are neither guarantees nor to be construed as express or implied warranties of suitability for these or other applications. National Oilwell makes no warranty either express or implied beyond that stipulated in National Oilwell Standard Terms and Conditions of Sale.

Authorized Distributor:



www.nov.com • mission.sales@nov.com
 10000 Richmond, Houston, Texas 77042
 (713)346-7500 (phone) • (713)346-7366 (fax)