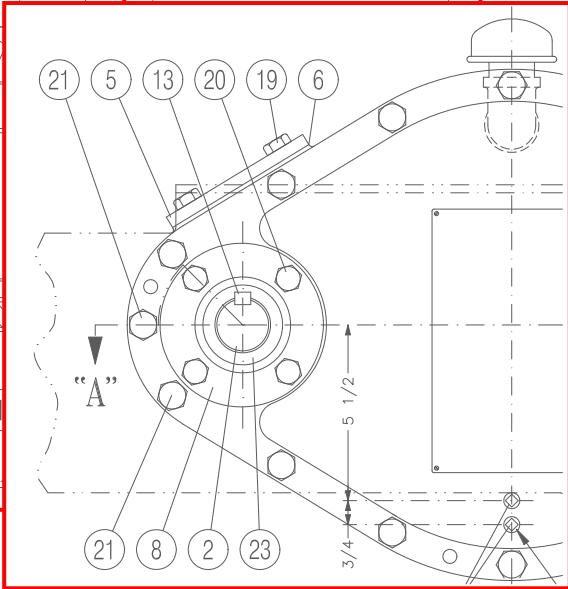
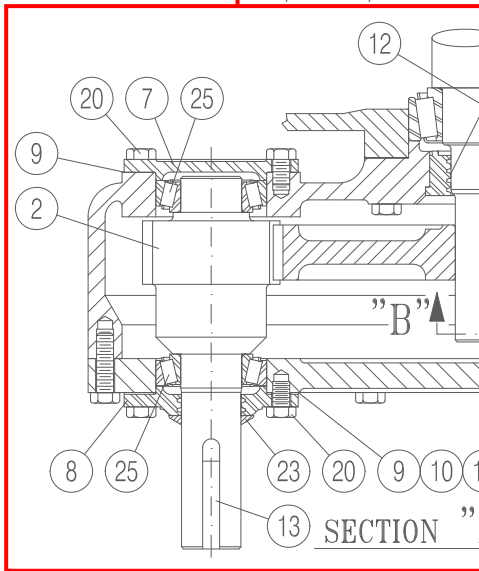
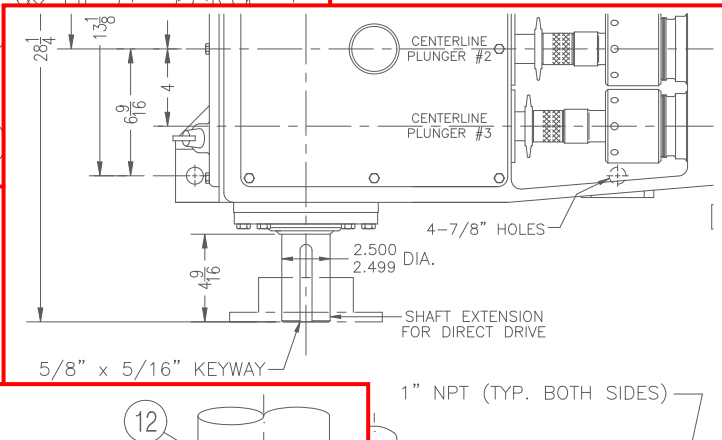
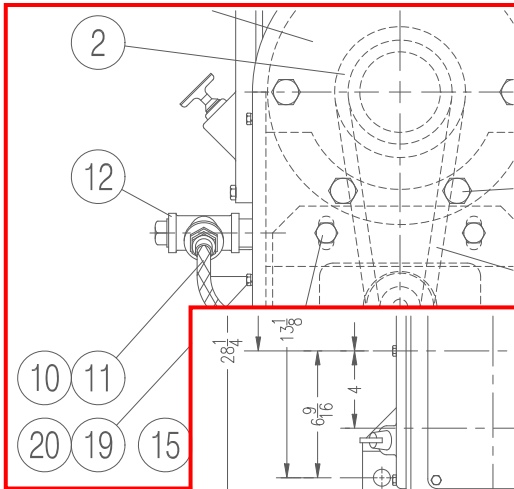
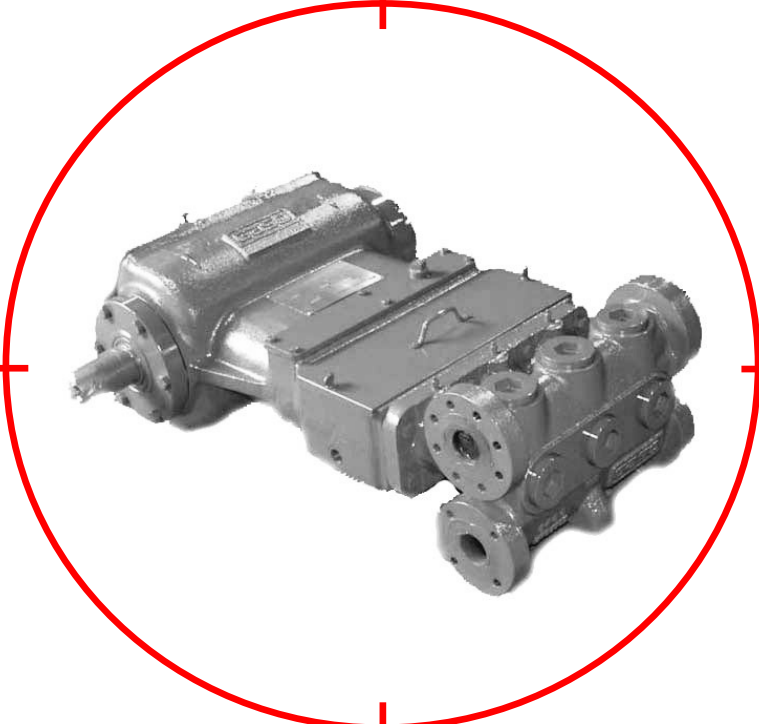
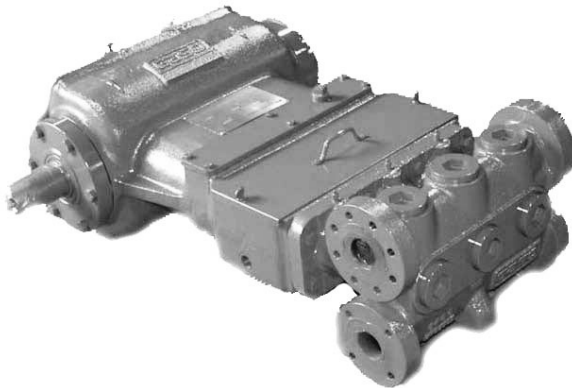
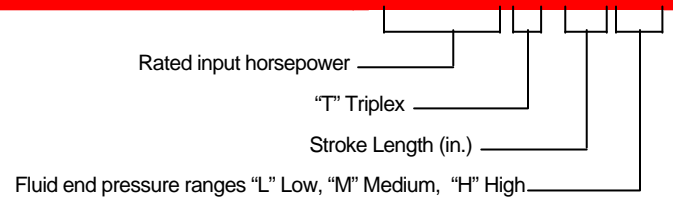


55T-3 Multiplex Plunger Pumps Parts List

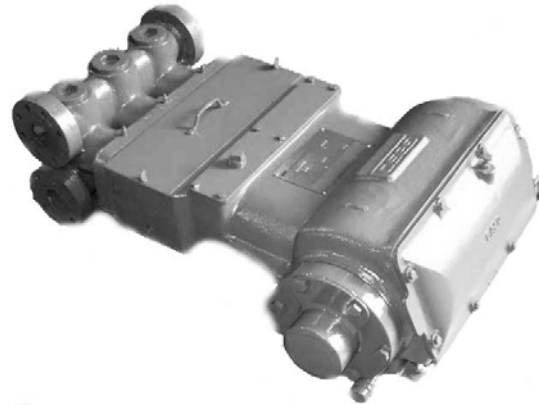


- Types:**
- 3364-1, 3364-1F
 - 3364-2, 3364-2F
 - 3364-3, 3364-3F
 - 3364-4, 3364-4F
 - 3364-5, 3364-5F
 - 3364-6, 3364-6F
 - 3364-7, 3364-7F
 - 55T-3L
 - 55T-3LF
 - 55T-3LS
 - 55T-3LSF
 - 55T-3M
 - 55T-3MF
 - 55T-3MS
 - 55T-3MSF
 - 55T-3H
 - 55T-3HF
 - 55T-3SC

Sales / Technical Information
 USA Tollfree: 1 (800) 324-4706
 Phone: 1 (918) 447-4600
 Fax: 1 (918) 447-4677
 Internet: <http://www.nov.com>



55T-3



55T-3

Index and Check List:

PAGE	DWG. NUMBER	DESCRIPTION	SERIES OF ISSUE	DATE OF ISSUE
1	118639	ASSEMBLY, CAST FLUID END, BRONZE, NPT CONNECTION (-3L)	FIRST	12-19-07
2	118649	ASSEMBLY, CAST FLUID END, BRONZE, FLANGED CONNECTION (-3LF)	FIRST	12-19-07
3	118640	ASSEMBLY, CAST FLUID END, DUCTILE IRON, NPT CONNECTION (-3L)	FIRST	12-19-07
4	118650	ASSEMBLY, CAST FLUID END, DUCTILE IRON, FLANGED CONNECTION (-3LF)	FIRST	12-19-07
5	118658	ASSEMBLY, BLOCK FLUID END, STEEL, NPT CONNECTION (-3LS)	FIRST	12-19-07
6	118661	ASSEMBLY, BLOCK FLUID END, STEEL, FLANGED CONNECTION (-3LSF)	FIRST	12-19-07
7	118645	ASSEMBLY, CAST FLUID END, DUCTILE IRON, NPT CONNECTION (-3SC)	FIRST	12-19-07
8	118638	ASSEMBLY, CAST FLUID END, DUCTILE IRON, NPT CONNECTION (-5)	FIRST	12-19-07
9	118653	ASSEMBLY, CAST FLUID END, DUCTILE IRON, FLANGED CONNECTION (-5F)	FIRST	12-19-07
10	118637	ASSEMBLY, CAST FLUID END, BRONZE, NPT CONNECTION (-4)	FIRST	12-19-07
11	118647	ASSEMBLY, CAST FLUID END, BRONZE, FLANGED CONNECTION (-4F)	FIRST	12-19-07
12	118636	ASSEMBLY, CAST FLUID END, BRONZE, NPT CONNECTION (-3M)	FIRST	12-19-07
13	118646	ASSEMBLY, CAST FLUID END, BRONZE, FLANGED CONNECTION (-3MF)	FIRST	12-19-07
14	118657	ASSEMBLY, BLOCK FLUID END, STEEL, NPT CONNECTION (-3MS)	FIRST	12-19-07
15	118660	ASSEMBLY, BLOCK FLUID END, STEEL, FLANGED CONNECTION (-3MSF)	FIRST	12-19-07
16	118656	ASSEMBLY, BLOCK FLUID END, STEEL, NPT CONNECTION (-3H)	FIRST	12-19-07
17	118659	ASSEMBLY, BLOCK FLUID END, STEEL, FLANGED CONNECTION (-3HF)	FIRST	12-19-07
18	118630	ASSEMBLY, POWER END, OLD STYLE, SMALL CRANK, (3364)	FIRST	12-19-07

Index and Check List Multiplex Plunger Pump (Continued)



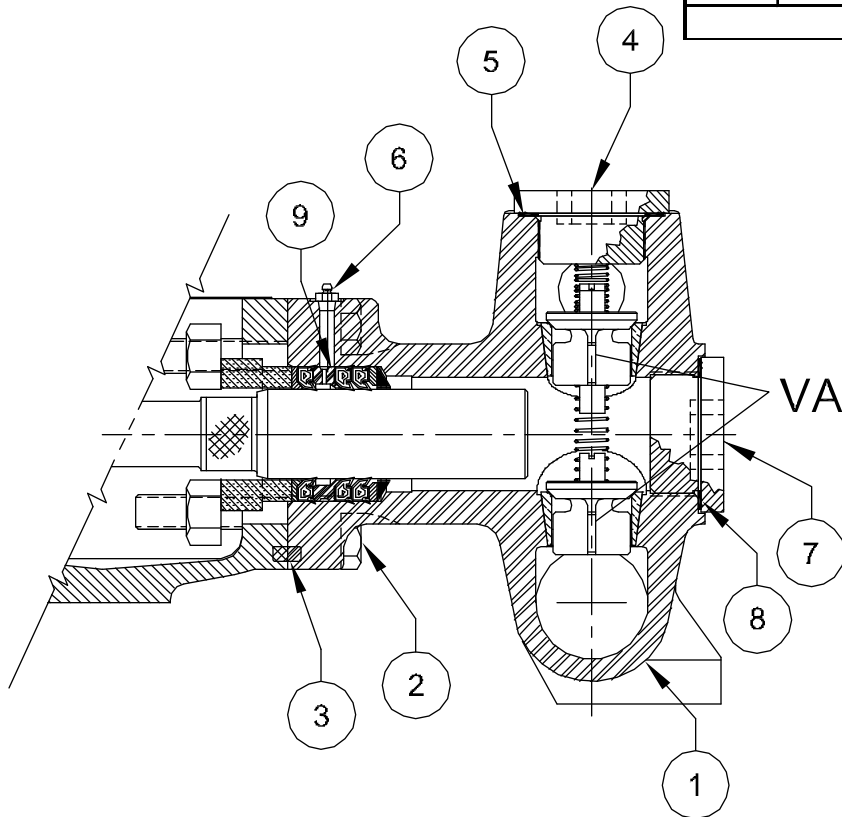
PAGE	DWG. NUMBER	DESCRIPTION	SERIES OF ISSUE	DATE OF ISSUE
19	118631	ASSEMBLY, CRANKSHAFT POWER END, OLD STYLE, SMALL CRANK, SINGLE EXTENDED, (3364)	FIRST	12-19-07
20	118632	ASSEMBLY, POWER END, NEW STYLE, (55T-3)	FIRST	12-19-07
21	118633	ASSEMBLY, CRANKSHAFT POWER END, NEW STYLE, DOUBLE EXTENDED, (55T-3)	FIRST	12-19-07
22	118634	ASSEMBLY, CRANKSHAFT POWER END, NEW STYLE, HEAVY DUTY, SINGLE EXTENDED, (55T-3)	FIRST	12-19-07
23	118635	ASSEMBLY, CRANKSHAFT POWER END, NEW STYLE, HEAVY DUTY, DOUBLE EXTENDED, (55T-3)	FIRST	12-19-07
24	118665	ASSEMBLY, STEEL WING GUIDED VALVE, (-3SC, -3LS, -3L)	FIRST	12-19-07
25	118666	ASSEMBLY, STAINLESS STEEL WING GUIDED VALVE, (-3SC, -3LS, -3L)	FIRST	12-19-07
26	118667	ASSEMBLY, BRONZE WING GUIDED VALVE, (-3SC, -3LS, -3L)	FIRST	12-19-07
27	118662	ASSEMBLY, STEEL WING GUIDED VALVE, (-3M, -3MS, -3H, -4)	FIRST	12-19-07
28	118663	ASSEMBLY, STAINLESS STEEL WING GUIDED VALVE, (-3M, -3MS, -3H, -4)	FIRST	12-19-07
29	118664	ASSEMBLY, BRONZE WING GUIDED VALVE, (-3M, -3MS, -3H, -4)	FIRST	12-19-07
30	118669	ASSEMBLY, SEVERE DUTY VALVE (-3SC, -3LS, -3L)	FIRST	12-19-07
31	118668	ASSEMBLY, SEVERE DUTY VALVE (-3MS, -3M, -3H)	FIRST	12-19-07
32	118670	ASSEMBLY, DISC VALVE (-3SC, -3LS, -3L)	FIRST	12-19-07
33	118641	TOOL KIT, POWER END MAINTENANCE	FIRST	12-19-07
34	118904	TOOL KIT, PLATE TYPE VALVE, LARGE SUCTION, (-3SC, -3LS, -3L)	FIRST	12-19-07
35	118903	TOOL KIT, PLATE TYPE VALVE, SMALL SUCTION, (-3M, -3MS, -3H, -4)	FIRST	12-19-07
36	118905	TOOL KIT, SEVERE DUTY VALVE, SMALL SUCTION, (-3M, -3MS, -3H, -4)	FIRST	12-19-07
37	118906	TOOL KIT, SEVERE DUTY VALVE, LARGE SUCTION, (-3SC, -3LS, -3L)	FIRST	12-19-07
38	118907	TOOL KIT, WING GUIDED VALVE, (ALL 55T-3 SERIES)	FIRST	12-19-07
39	118880	TOOL KIT, WING GUIDED VALVE, HEAVY DUTY, (55T-3SC)	FIRST	12-19-07
40	118642	TOOL KIT, GENERAL FLUID END MAINTENANCE, (55T-3)	FIRST	12-19-07
41	118706	ASSEMBLY, PLUNGER KIT 2-1/2" J-STYLE PACKING, BOLT ON GLAND (-3L, -3LS)	FIRST	12-19-07
42	118705	ASSEMBLY, PLUNGER KIT 2-1/4" J-STYLE PACKING, BOLT ON GLAND (-3L, -3LS)	FIRST	12-19-07
43	118714	ASSEMBLY, PLUNGER KIT 2" J-STYLE PACKING, BOLT ON GLAND (-3L, -3LS)	FIRST	12-19-07
44	118718	ASSEMBLY, PLUNGER KIT 2" J-STYLE PACKING, SCREW TYPE GLAND (-3L, -3LS)	FIRST	12-19-07
45	118699	ASSEMBLY, PLUNGER KIT 1-3/4" J-STYLE PACKING, BOLT ON GLAND (-3LS)	FIRST	12-19-07

Index and Check List Multiplex Plunger Pump (Continued)



PAGE	DWG. NUMBER	DESCRIPTION	SERIES OF ISSUE	DATE OF ISSUE
46	118672	ASSEMBLY, PLUNGER KIT 1-3/4" J-STYLE PACKING, SCREW TYPE GLAND (-3LS)	FIRST	12-19-07
47	118652	ASSEMBLY, PLUNGER KIT 2-1/4" STYLE 242 PACKING, BOLT ON GLAND (-3SC)	FIRST	12-19-07
48	118654	ASSEMBLY, PLUNGER KIT 2" STYLE 242 PACKING, BOLT ON GLAND (-3SC)	FIRST	12-19-07
49	118651	ASSEMBLY, PLUNGER KIT 1-3/4" STYLE 242 PACKING, BOLT ON GLAND (-3SC)	FIRST	12-19-07
50	118710	ASSEMBLY, PLUNGER KIT 1-3/4" J-STYLE PACKING, BOLT ON GLAND (-3M, -3MS)	FIRST	12-19-07
51	118687	ASSEMBLY, PLUNGER KIT 1-3/4" J-STYLE PACKING, SCREW TYPE GLAND (-3M, -3MS)	FIRST	12-19-07
52	118686	ASSEMBLY, PLUNGER KIT 1-1/2" J-STYLE PACKING, SCREW TYPE GLAND (-3M, -3MS)	FIRST	12-19-07
53	118675	ASSEMBLY, PLUNGER KIT 1-1/2" J-STYLE PACKING, BOLT ON GLAND (-3M, -3MS)	FIRST	12-19-07
54	118673	ASSEMBLY, PLUNGER KIT 1-1/4" J-STYLE PACKING, BOLT ON GLAND (-3M)	FIRST	12-19-07
55	118677	ASSEMBLY, PLUNGER KIT 1-1/4" J-STYLE PACKING, SCREW TYPE GLAND (-3M)	FIRST	12-19-07
56	118708	ASSEMBLY, PLUNGER KIT 1-1/4" 805-4 STYLE PACKING, BOLT ON GLAND (-3H)	FIRST	12-19-07
57	118719	ASSEMBLY, PLUNGER KIT 1" 805-4 STYLE PACKING, BOLT ON GLAND (-3H)	FIRST	12-19-07
58	118679	PLUNGERS, 1-1/2" THRU 2-1/2", CERAMIC	FIRST	12-19-07
59	118684	PLUNGERS, 1-1/2" THRU 2-1/2", HARD SURFACE	FIRST	12-19-07
60	118671	PLUNGERS, 1-1/4" CERAMIC AND HARD SURFACE	FIRST	12-19-07
61	118681	PLUNGERS, 1" HARD SURFACE	FIRST	12-19-07
62	118720	ASSEMBLY, PACKING LUBRICATOR, (55T-3)	FIRST	12-19-07
63	118643	GENERAL DIMENSION, RHD, (55T-3L, 55T-3LS, 55T-3M, 55T-3MS, 55T-3H)	FIRST	12-19-07
64	118644	GENERAL DIMENSION, RHD, (55T-3SC)	FIRST	12-19-07

	118669	SEVERE DUTY VALVE - (SELF CONTAINED)	
	118670	DISC VALVE - (SELF CONTAINED)	
	118665,118666,118667	WING GUIDED VALVE ASSEMBLY	
	<u>DRAWING No:</u>	<u>VALVE ASSEMBLY</u>	
3	SEE PLUNGER KIT	PACKING	9
3	GAS-101103-000	GASKET (CYLINDER HEAD COVER)	8
3	GAS-101104-A03	CYLINDER HEAD COVER (BRONZE)	7
3	180-165000-220	LUBE FITTING (IF USED)	6
3	GAS-102920-000	GASKET (VALVE COVER)	5
3	GAS-110812-A03	VALVE COVER (BRONZE) - USED W/ SELF CONTAINED VALVES	
3	GAS-102922-A03	VALVE COVER (BRONZE) - USED W/ WING GUIDED VALVES	4
2	147-058114-220	DOWELL PIN	3
8	100-058200-290	CAP SCREW	2
1	GAS-101099-A03	FLUID END (CAST BRONZE)	1
REQ'D	Part No.	DESCRIPTION	ITEM
BILL OF MATERIAL			



VALVE ASSEMBLY - (WING GUIDED SHOWN)

1

NOV NATIONAL OILWELL VARCO

HOUSTON, TEXAS, U.S.A.

ENGINEERING, TULSA, OKLAHOMA

TITLE:

ASSEMBLY, CAST BRONZE FLUID END
NPT CONNECTIONS, 2 THRU 2-1/2 PLGRS
MODEL: 55T-3L (3364-7, 3364A-O)

DWG No.:

118639

SCALE:

NONE

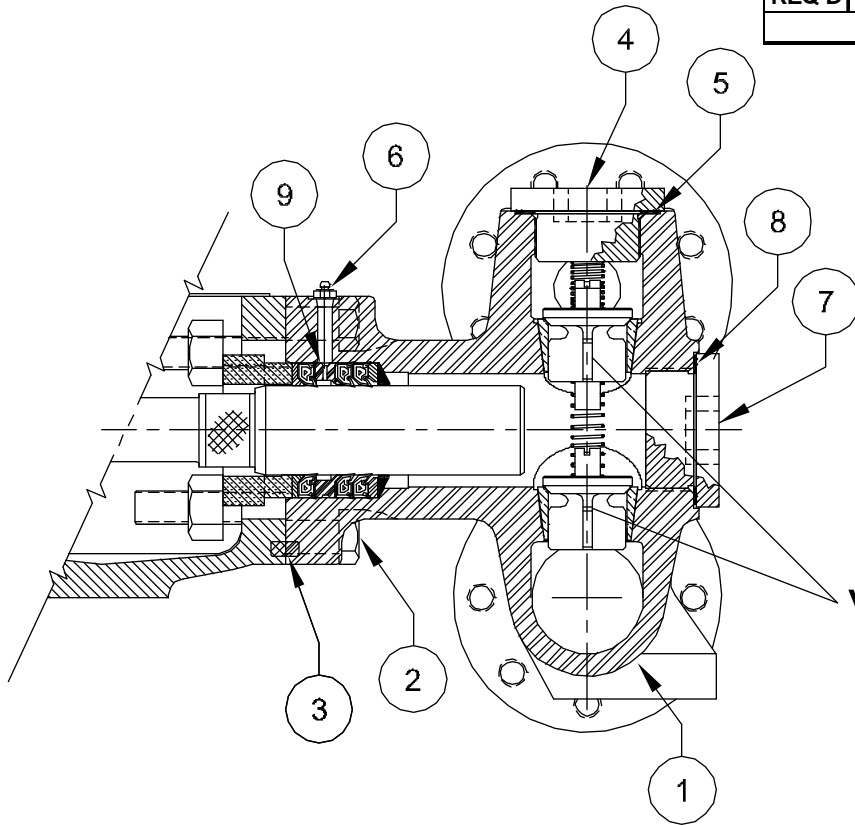
REV

A

SH1.:

1 OF 1

	118669	SEVERE DUTY VALVE - (SELF CONTAINED)	
	118670	DISC VALVE - (SELF CONTAINED)	
	118665, 118666, 118667	WING GUIDED VALVE ASSEMBLY	
	DRAWING No:	VALVE ASSEMBLY	
3	SEE PLUNGER KIT	PACKING	9
3	GAS-101103-000	GASKET (CYLINDER HEAD COVER)	8
3	GAS-101104-A03	CYLINDER HEAD COVER (BRONZE)	7
3	180-165000-220	LUBE FITTING (IF USED)	6
3	GAS-102920-000	GASKET (VALVE COVER)	5
3	GAS-110812-A03	VALVE COVER (BRONZE) - USED W/ SELF CONTAINED VALVES	
3	GAS-102922-A03	VALVE COVER (BRONZE) - USED W/ WING GUIDED VALVES	4
2	147-058114-220	DOWELL PIN	3
8	100-058200-290	CAP SCREW	2
1	GAS-101100-A03	FLUID END (CAST BRONZE)	1
REQ'D	Part No.	DESCRIPTION	ITEM
BILL OF MATERIAL			



VALVE ASSEMBLY - (WING GUIDED SHOWN)

NOV NATIONAL OILWELL VARCO

HOUSTON, TEXAS, U.S.A.

ENGINEERING, TULSA, OKLAHOMA

TITLE:

ASSEMBLY, CAST BRONZE FLUID END
 FLANGED CONNECTIONS, 2 THRU 2-1/2 PLGRS
 MODEL: 55T-3LF (3364-7F, 3364A-OF)

DWG No.:

118649

SCALE:

NONE

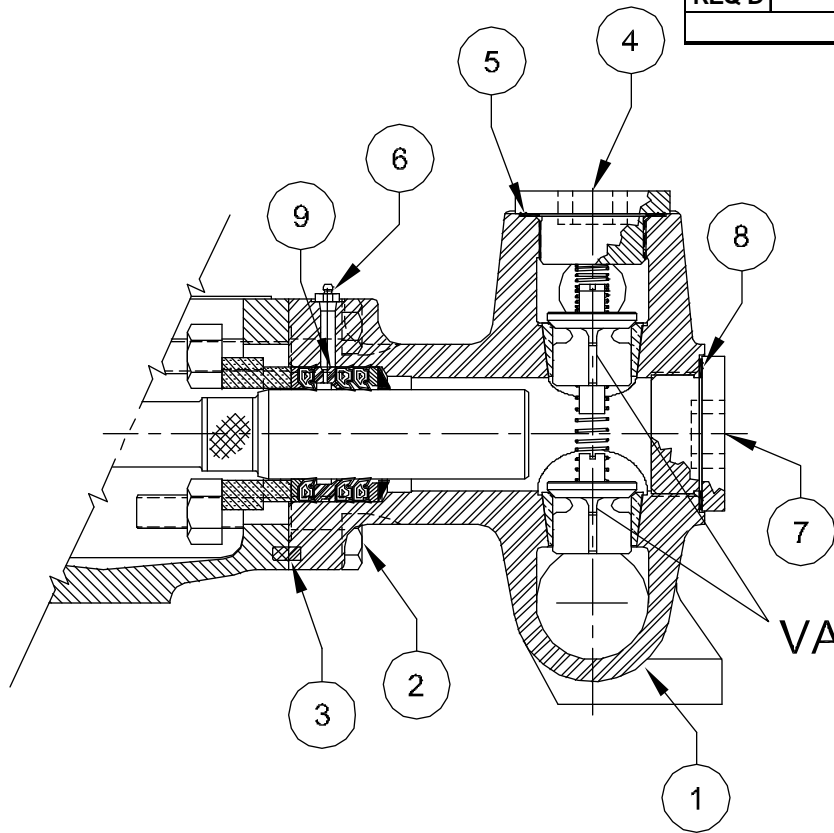
REV

A

SHT.:

1 OF 1

	118669	SEVERE DUTY VALVE - (SELF CONTAINED)	
	118670	DISC VALVE - (SELF CONTAINED)	
	118665, 118666, 118667	WING GUIDED VALVE ASSEMBLY	
	<u>DRAWING No:</u>	<u>VALVE ASSEMBLY</u>	
3	SEE PLUNGER KIT	PACKING	9
3	GAS-101103-000	GASKET (CYLINDER HEAD COVER)	8
3	GAS-101105-A02	CYLINDER HEAD COVER (DUCTILE IRON)	7
3	180-165000-220	LUBE FITTING (IF USED)	6
3	GAS-102920-000	GASKET (VALVE COVER)	5
3	GAS-110813-A02	VALVE COVER (DUCTILE IRON) - USED W/ SELF CONTAINED VALVES	
3	GAS-102924-A02	VALVE COVER (DUCTILE IRON) - USED W/ WING GUIDED VALVES	4
2	147-058114-220	DOWELL PIN	3
8	100-058200-290	CAP SCREW	2
1	GAS-106803-A02	FLUID END (DUCTILE IRON)	1
REQ'D	Part No.	DESCRIPTION	ITEM
BILL OF MATERIAL			



VALVE ASSEMBLY - (WING GUIDED SHOWN)

NOV NATIONAL OILWELL VARCO

HOUSTON, TEXAS, U.S.A.

ENGINEERING, TULSA, OKLAHOMA

TITLE:

**ASSEMBLY, CAST DUCTILE IRON FLUID END
NPT CONNECTIONS, 2 THRU 2-1/2 PLGRS
MODEL: 55T-3L (3364-7, 3364A-O)**

DWVG No.:

118640

SCALE:

NONE

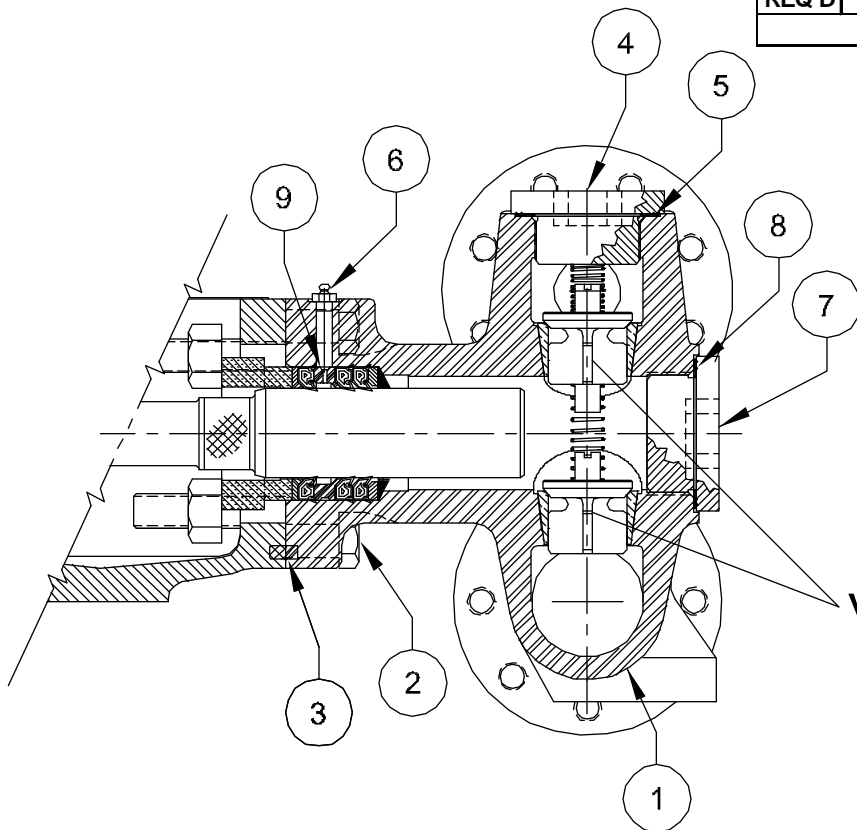
REV

A

SHT.:

1 OF 1

	118669	SEVERE DUTY VALVE - (SELF CONTAINED)	
	118670	DISC VALVE - (SELF CONTAINED)	
	118665, 118666, 118667	WING GUIDED VALVE ASSEMBLY	
	DRAWING No:	VALVE ASSEMBLY	
3	SEE PLUNGER KIT	PACKING	9
3	GAS-101103-000	GASKET (CYLINDER HEAD COVER)	8
3	GAS-101105-A02	CYLINDER HEAD COVER (DUCTILE IRON)	7
3	180-165000-220	LUBE FITTING (IF USED)	6
3	GAS-102920-000	GASKET (VALVE COVER)	5
3	GAS-110813-A02	VALVE COVER (DUCTILE IRON) - USED W/ SELF CONTAINED VALVES	
3	GAS-102924-A02	VALVE COVER (DUCTILE IRON) - USED W/ WING GUIDED VALVES	4
2	147-058114-220	DOWELL PIN	3
8	100-058200-290	CAP SCREW	2
1	GAS-106701-A02	FLUID END (DUCTILE IRON)	1
REQ'D	Part No.	DESCRIPTION	ITEM
BILL OF MATERIAL			



VALVE ASSEMBLY - (WING GUIDED SHOWN)

NOV NATIONAL OILWELL VARCO

HOUSTON, TEXAS, U.S.A.

ENGINEERING, TULSA, OKLAHOMA

TITLE:

ASSEMBLY, CAST DUCTILE IRON FLUID END
FLANGED CONNECTIONS, 2 THRU 2-1/2 PLGRS
MODEL: 55T-3LF (3364-7F, 3364A-OF)

DWG No.:

118650

SCALE:

NONE

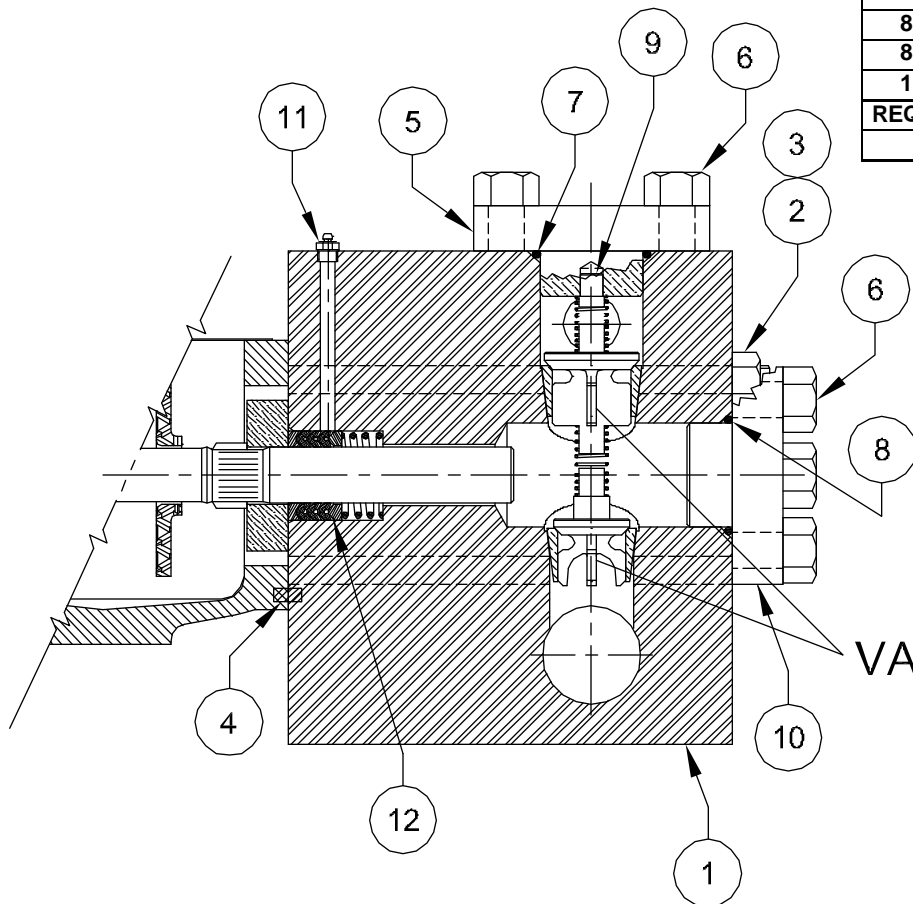
REV

A

SHT.:

1 OF 1

	118669	SEVERE DUTY VALVE - (SELF CONTAINED)	
	118670	DISC VALVE - (SELF CONTAINED)	
	118665, 118666, 118667	WING GUIDED VALVE ASSEMBLY	
	DRAWING No:	VALVE ASSEMBLY	
3	See Plunger Kits	PACKING	12
3	180-165000-220	LUBE FITTING (IF USED)	11
3	AAB-103181-C06	CYLINDER HEAD COVER (STEEL)	10
3	GAS-103190-B04	VALVE STOP PIN *	9
3	110-000333-200	O-RING SEAL (CYLINDER HEAD)	8
3	110-000331-200	O-RING SEAL (VALVE COVER)	7
21	100-034200-290	CAP SCREW	6
3	GAS-103187-000	VALVE COVER (STEEL) - USED W/ WING GUIDED VALVES	
3	GAS-103186-C05	VALVE COVER (STEEL) - USED W/ SELF CONTAINED VALVES	5
2	147-058114-220	DOWELL PIN	4
8	133-058011-286	NUT	3
8	213-058114-286	STUD	2
1	GAS-101092-C06	FLUID END (PLATE STEEL)	1
REQ'D	Part No.	DESCRIPTION	ITEM
BILL OF MATERIAL			



VALVE ASSEMBLY - (WING GUIDED SHOWN)

* INCLUDED WITH PART NO. GAS-103187-000, ITEM 5.

5

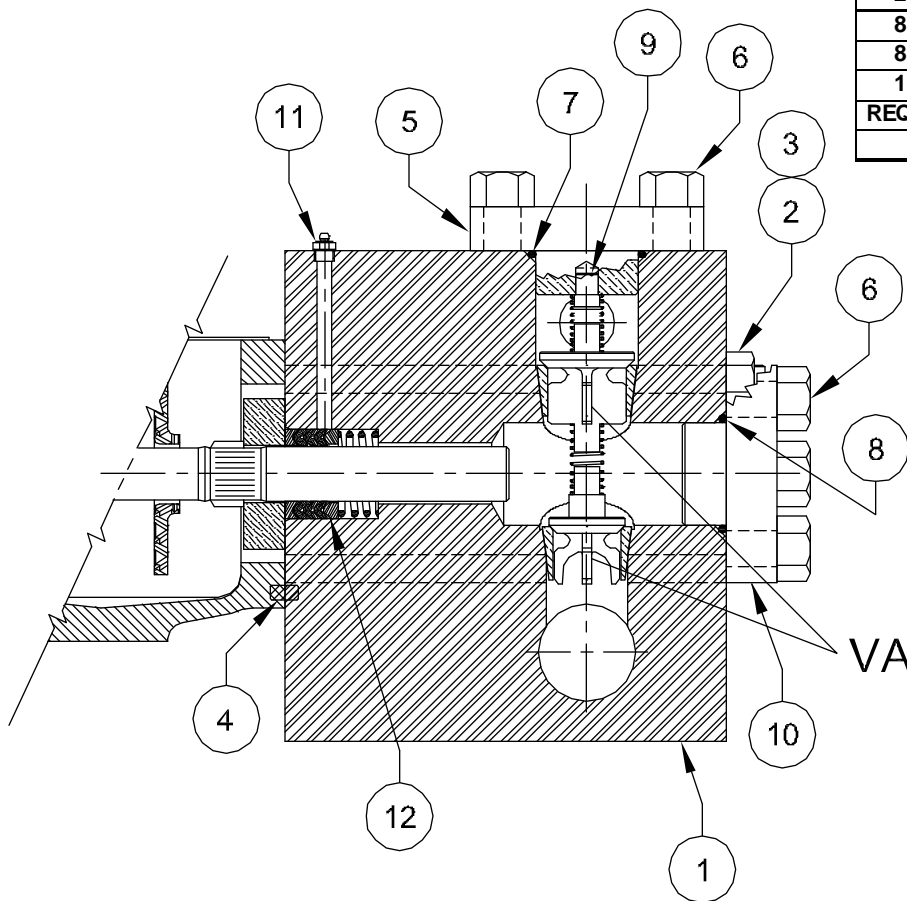


HOUSTON, TEXAS, U.S.A. ENGINEERING, TULSA, OKLAHOMA

TITLE:
**ASSEMBLY, STEEL BILLET FLUID END
 NPT CONNECTIONS, 1-3/4 THRU 2-1/2 PLGRS
 MODEL: 55T-3LS (3364-6, 3364-O)**

DWG No.: 118658	SCALE: NONE	REV A	SH1.: 1 OF 1
--------------------	----------------	----------	-----------------

	118669	SEVERE DUTY VALVE - (SELF CONTAINED)	
	118670	DISC VALVE - (SELF CONTAINED)	
	118665, 118666, 118667	WING GUIDED VALVE ASSEMBLY	
	<u>DRAWING No:</u>	<u>VALVE ASSEMBLY</u>	
3	See Plunger Kits	PACKING	12
3	180-165000-220	LUBE FITTING (IF USED)	11
3	AAB-103181-C06	CYLINDER HEAD COVER (STEEL)	10
3	GAS-103190-B04	VALVE STOP PIN *	9
3	110-000333-200	O-RING SEAL (CYLINDER HEAD)	8
3	110-000331-200	O-RING SEAL (VALVE COVER)	7
21	100-034200-290	CAP SCREW	6
3	GAS-103187-000	VALVE COVER (STEEL) - USED W/ WING GUIDED VALVES	5
3	GAS-103186-C05	VALVE COVER (STEEL) - USED W/ SELF CONTAINED VALVES	5
2	147-058114-220	DOWELL PIN	4
8	133-058011-286	NUT	3
8	213-058114-286	STUD	2
1	GAS-107944-C06	FLUID END (PLATE STEEL)	1
REQ'D	Part No.	DESCRIPTION	ITEM
BILL OF MATERIAL			



VALVE ASSEMBLY - (WING GUIDED SHOWN)

* INCLUDED WITH PART NO. GAS-103187-000, ITEM 5.

6

NOV NATIONAL OILWELL VARCO

HOUSTON, TEXAS, U.S.A.

ENGINEERING, TULSA, OKLAHOMA

TITLE:

ASSEMBLY, STEEL BILLET FLUID END
FLANGED CONNECTIONS, 1-3/4 THRU 2-1/2
MODEL: 55T-3LSF (3364-6F, 3364-OF)

DWG No.:

118661

SCALE:

NONE

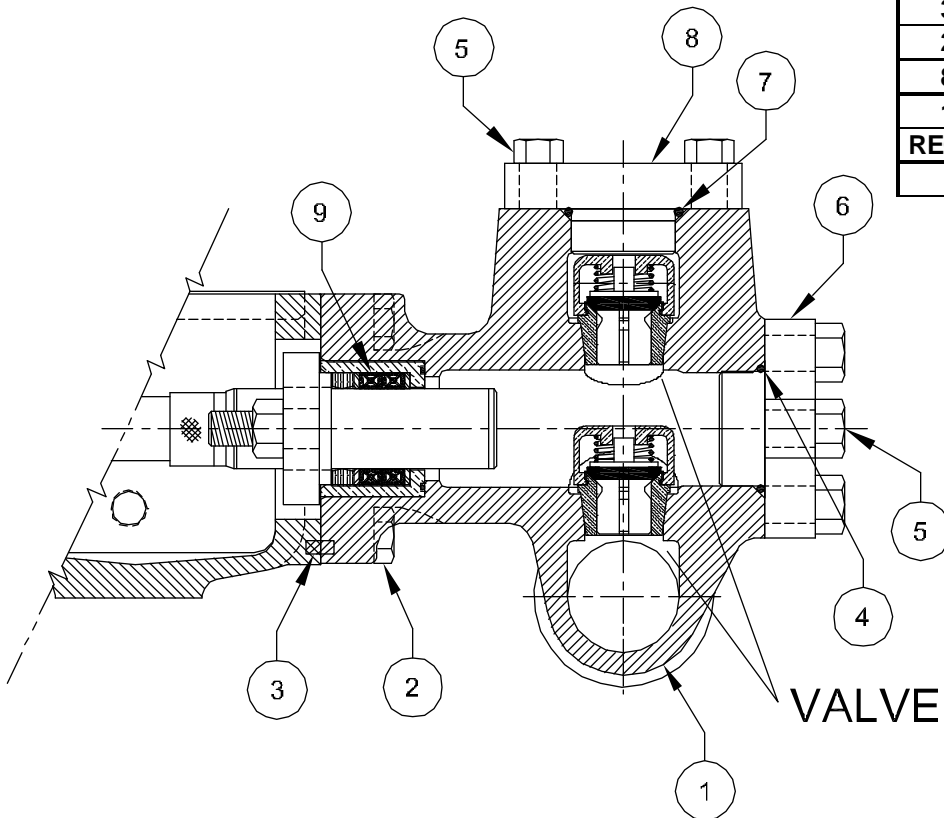
REV

A

SHT.:

1 OF 1

	118665	STEEL (WING GUIDED VALVE)	
	118669	SEVERE DUTY VALVE - (SELF CONTAINED)	
	DRAWING No:	VALVE ASSEMBLY	
3	(SEE PLUNGER KIT)	PACKING	9
3	GAS-103187-000	VALVE COVER (WING GUIDED VALVE)	
3	AAB-115402-231	VALVE COVER (SEVERE DUTY VALVE)	8
3	110-000333-200	O-RING	7
3	AAB-115248-231	CYLINDER HEAD	6
21	100-034200-290	HEX HEAD CAP SCREW	5
3	110-000331-200	O-RING	4
2	147-058114-220	DOWELL PIN	3
8	100-058200-290	HEX HEAD CAP SCREW	2
1	AAD-115216-351	FLUID END (DUCTILE IRON)	1
REQ'D	Part No.	DESCRIPTION	ITEM
BILL OF MATERIAL			



VALVE ASSEMBLY - (SEVERE DUTY SHOWN)



HOUSTON, TEXAS, U.S.A.

ENGINEERING, TULSA, OKLAHOMA

TITLE:

ASSEMBLY, CAST DUCTILE IRON
 NPT CONNECTIONS, 1-3/4 THRU 2-1/4
 55T-3SC (3364-5SC)

DWG No.:

118645

SCALE:

NONE

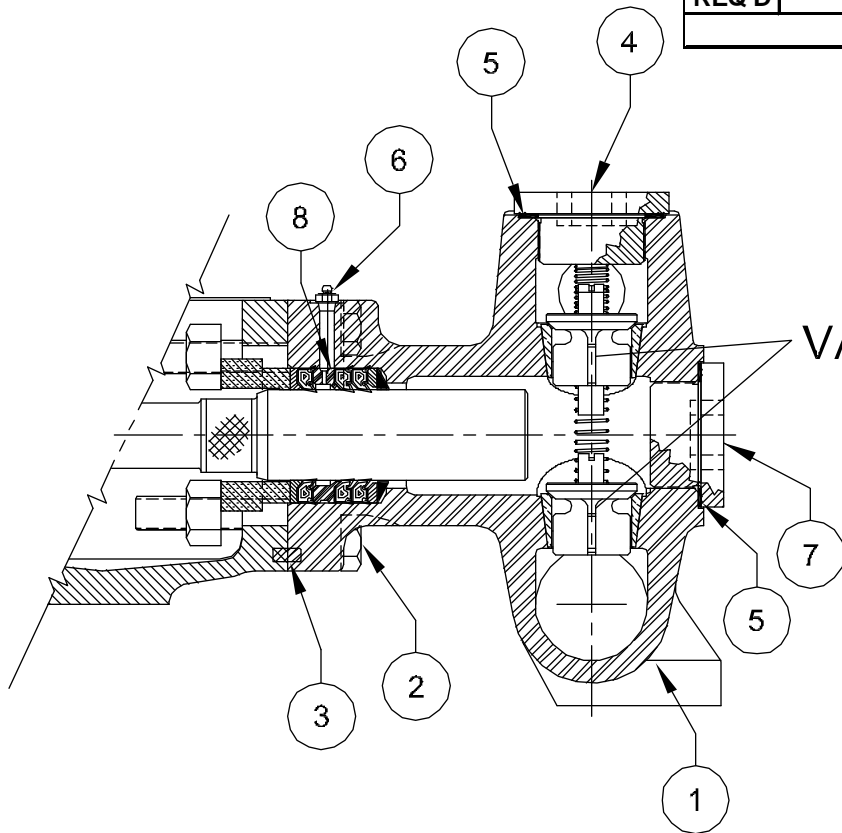
REV

A

SHT.:

1 OF 1

	118669	SEVERE DUTY VALVE - (SELF CONTAINED)	
	118670	DISC VALVE - (SELF CONTAINED)	
	118665, 118666, 118667	WING GUIDED VALVE ASSEMBLY	
	<u>DRAWING No:</u>	<u>VALVE ASSEMBLY</u>	
3	SEE PLUNGER KIT	PACKING	8
3	GAS-103029-A02	CYLINDER HEAD COVER (DUCTILE)	7
3	180-165000-220	LUBE FITTING (IF USED)	6
6	GAS-102920-000	GASKET (VALVE COVER / CYLINDER HEAD COVER)	5
3	GAS-110813-A02	VALVE COVER (DUCTILE) - USED W/ SELF CONTAINED VALVES	
3	GAS-102924-A02	VALVE COVER (DUCTILE) - USED W/ WING GUIDED VALVES	4
2	147-058114-220	DOWELL PIN	3
8	100-058200-290	CAP SCREW	2
1	GAS-110713-A02	FLUID END (DUCTILE IRON)	1
REQ'D	Part No.	DESCRIPTION	ITEM
BILL OF MATERIAL			



VALVE ASSEMBLY - (WING GUIDED SHOWN)

NOV NATIONAL OILWELL VARCO

HOUSTON, TEXAS, U.S.A.

ENGINEERING, TULSA, OKLAHOMA

TITLE:

ASSEMBLY, CAST DUCTILE IRON FLUID END
NPT CONNECTIONS, 1-3/4 THRU 2-1/4 PLGRS
MODEL: 3364-5 (3364A-L)

DWG No.:

118638

SCALE:

NONE

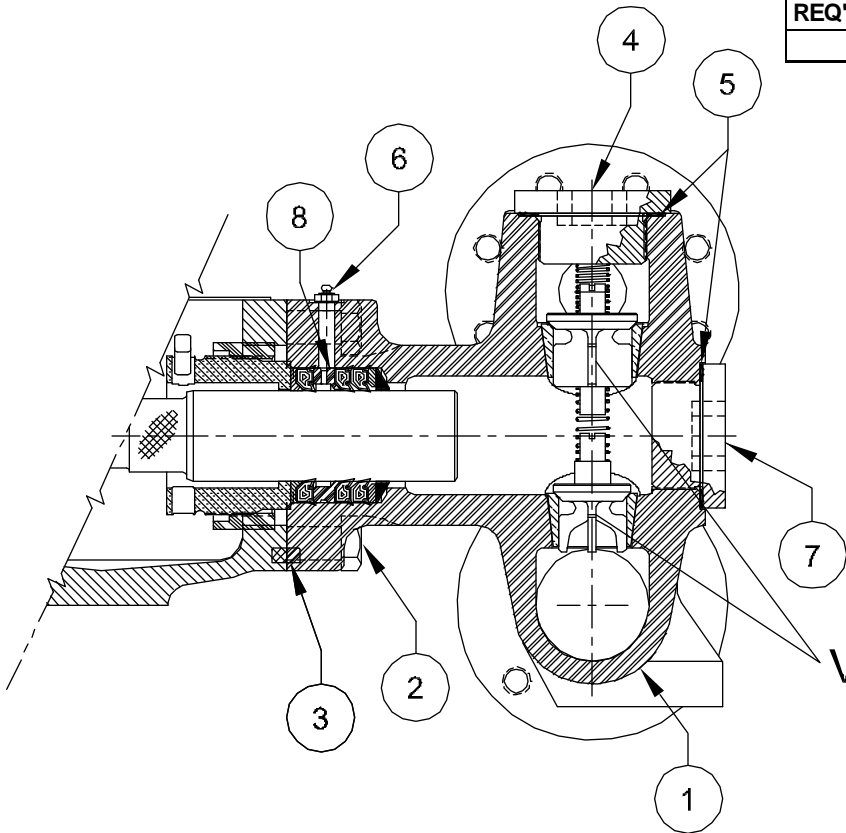
REV

A

SHT.:

1 OF 1

	118669	SEVERE DUTY VALVE - (SELF CONTAINED)	
	118670	DISC VALVE - (SELF CONTAINED)	
	118665, 118666, 118667	WING GUIDED VALVE ASSEMBLY	
	<u>DRAWING No:</u>	<u>VALVE ASSEMBLY</u>	
3	See Plunger Kits	PACKING	8
3	GAS-103029-A02	CYLINDER HEAD COVER (DUCTILE IRON)	7
3	180-165000-220	LUBE FITTING (IF USED)	6
6	GAS-102920-000	GASKET (VALVE COVER / CYLINDER HEAD COVER)	5
3	GAS-110813-A02	VALVE COVER (DUCTILE) - USED W/ SELF CONTAINED VALVES	
3	GAS-102924-A02	VALVE COVER (DUCTILE) - USED W/ WING GUIDED VALVES	4
2	147-058114-220	DOWELL PIN	3
8	100-058200-290	CAP SCREW	2
1	GAS-101096-A02	FLUID END (DUCTILE IRON)	1
REQ'D	Part No.	DESCRIPTION	ITEM
BILL OF MATERIAL			



VALVE ASSEMBLY - (WING GUIDED SHOWN)

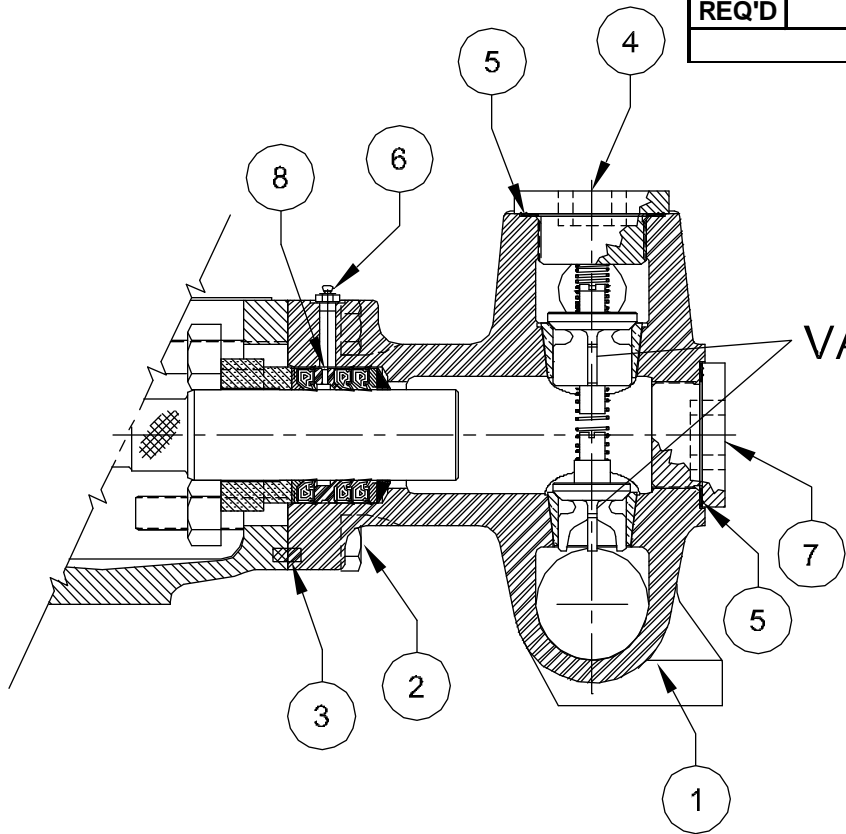
NOV NATIONAL OILWELL VARCO

HOUSTON, TEXAS, U.S.A. ENGINEERING, TULSA, OKLAHOMA

TITLE:
**ASSEMBLY, CAST DUCTILE IRON FLUID END
 FLANGED CONNECTIONS, 1-3/4 THRU 2-1/4
 MODEL: 3364-5F (3364A-LF)**

DWG No:	118653	SCALE:	NONE	REV	A	SHT.:	1	OF	1
---------	--------	--------	------	-----	---	-------	---	----	---

	118668	SEVERE DUTY VALVE - (SELF CONTAINED)	
	NA	DISC VALVE - (SELF CONTAINED)	
	118662, 118663, 118664	WING GUIDED VALVE ASSEMBLY	
	<u>DRAWING No:</u>	<u>VALVE ASSEMBLY</u>	
3	SEE PLUNGER KIT	PACKING	8
3	GAS-103028-A03	CYLINDER HEAD COVER	7
3	180-165000-220	LUBE FITTING (IF USED)	6
6	GAS-102920-000	GASKET (VALVE COVER / CYLINDER HEAD COVER)	5
3	GAS-110812-A03	VALVE COVER (BRONZE) - USED W/ SELF CONTAINED VALVES	
3	GAS-102922-A03	VALVE COVER (BRONZE) - USED W/ WING GUIDED VALVES	4
2	147-058114-220	DOWELL PIN	3
8	100-058200-290	CAP SCREW	2
1	GAS-101097-A03	FLUID END (CAST BRONZE)	1
REQ'D	Part No.	DESCRIPTION	ITEM
BILL OF MATERIAL			



VALVE ASSEMBLY - (WING GUIDED SHOWN)

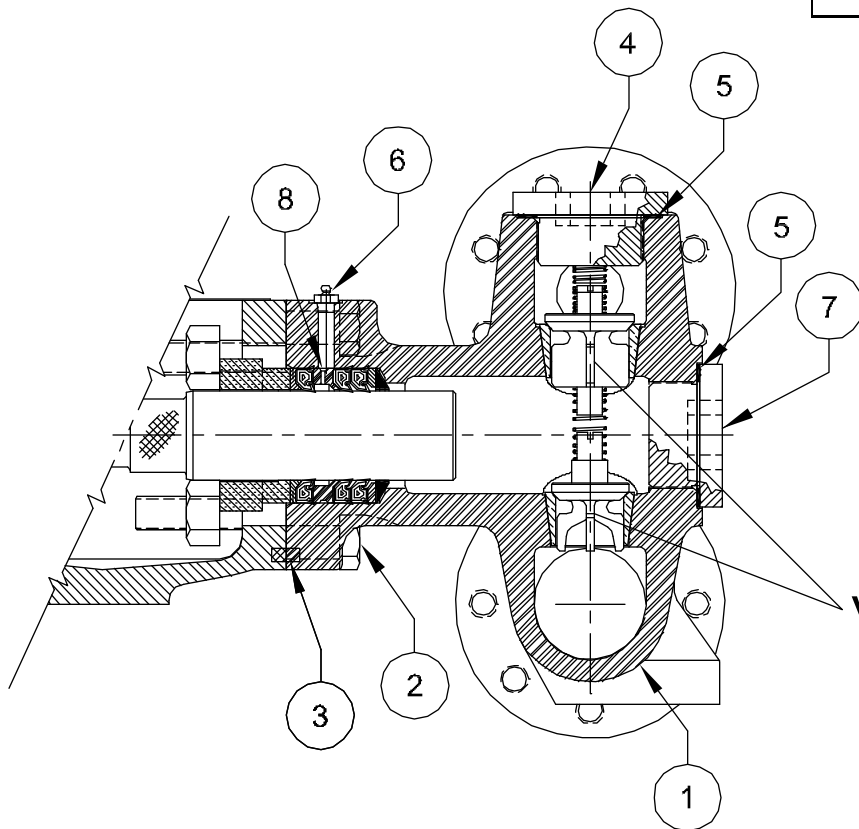
NOV NATIONAL OILWELL VARCO

HOUSTON, TEXAS, U.S.A. ENGINEERING, TULSA, OKLAHOMA

TITLE:
**ASSEMBLY, CAST BRONZE FLUID END
 NPT CONNECTIONS, 1-3/4 THRU 2-1/4
 MODEL: 3364-4 (3364A-M)**

DWG No.:	118637	SCALE:	NONE	REV	A	SHT.:	1 OF 1
----------	--------	--------	------	-----	---	-------	--------

	118668	SEVERE DUTY VALVE - (SELF CONTAINED)	
	NA	DISC VALVE - (SELF CONTAINED)	
	118662, 118663, 118664	WING GUIDED VALVE ASSEMBLY	
	<u>DRAWING No:</u>	<u>VALVE ASSEMBLY</u>	
3	SEE PLUNGER KIT	PACKING	8
3	GAS-103028-A03	CYLINDER HEAD COVER (BRONZE)	7
3	180-165000-220	LUBE FITTING (IF USED)	6
6	GAS-102920-000	GASKET (VALVE COVER / CYLINDER HEAD COVER)	5
3	GAS-110812-A03	VALVE COVER (BRONZE) - USED W/ SELF CONTAINED VALVES	
3	GAS-102922-A03	VALVE COVER (BRONZE) - USED W/ WING GUIDED VALVES	4
2	147-058114-220	DOWELL PIN	3
8	100-058200-290	CAP SCREW	2
1	GAS-101098-A03	FLUID END (CAST BRONZE)	1
REQ'D	Part No.	DESCRIPTION	ITEM
BILL OF MATERIAL			



VALVE ASSEMBLY - (WING GUIDED SHOWN)

NOV NATIONAL OILWELL VARCO

HOUSTON, TEXAS, U.S.A.

ENGINEERING, TULSA, OKLAHOMA

TITLE:

ASSEMBLY, CAST BRONZE FLUID END
 FLANGED CONNECTION, 1-3/4 THRU 2-1/4
 MODEL: 3364-4F (3364A-MF)

DWG No.:

118647

SCALE:

NONE

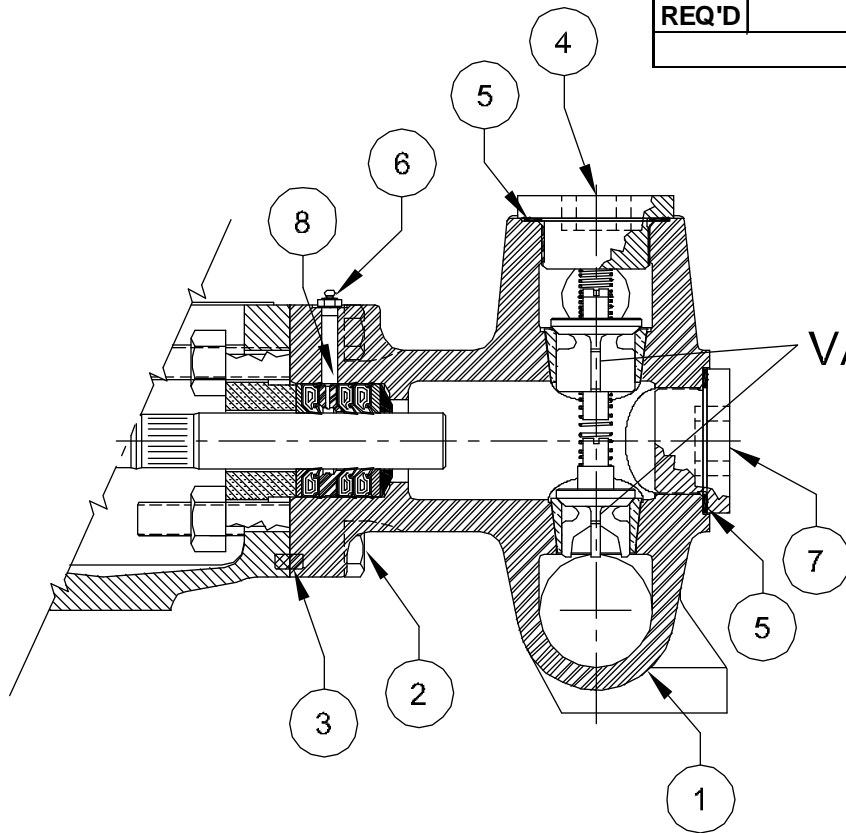
REV

A

SHT.:

1 OF 1

	118668	SEVERE DUTY VALVE - (SELF CONTAINED)	
	NA	DISC VALVE - (SELF CONTAINED)	
	118662, 118663, 118664	WING GUIDED VALVE ASSEMBLY	
	<u>DRAWING No:</u>	<u>VALVE ASSEMBLY</u>	
3	See Plunger Kits	PACKING	8
3	GAS-103028-A03	CYLINDER HEAD COVER (BRONZE)	7
3	180-165000-220	LUBE FITTING (IF USED)	6
6	GAS-102920-000	GASKET (VALVE COVER / CYLINDER HEAD COVER)	5
3	GAS-110812-A03	VALVE COVER (BRONZE) - USED W/ SELF CONTAINED VALVES	
3	GAS-102922-A03	VALVE COVER (BRONZE) - USED W/ WING GUIDED VALVES	4
2	147-058114-220	DOWELL PIN	3
8	100-058200-290	CAP SCREW	2
1	GAS-101101-A03	FLUID END (CAST BRONZE)	1
REQ'D	Part No.	DESCRIPTION	ITEM
BILL OF MATERIAL			



VALVE ASSEMBLY - (WING GUIDED SHOWN)

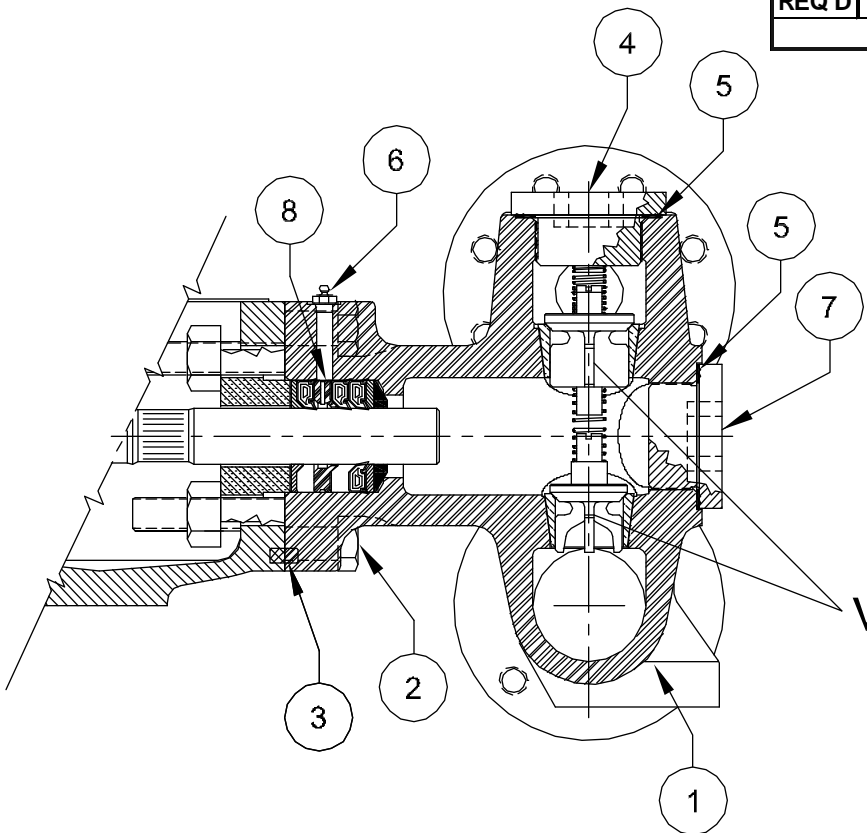
NOV NATIONAL OILWELL VARCO

HOUSTON, TEXAS, U.S.A. ENGINEERING, TULSA, OKLAHOMA

TITLE:
**ASSEMBLY, CAST BRONZE FLUID END
 NPT CONNECTIONS, 1-1/4 THRU 1-3/4
 MODEL: 55T-3M (3364-3, 3364A-S)**

DWG No.:	118636	SCALE:	NONE	REV	A	SHT.:	1	OF	1
----------	--------	--------	------	-----	---	-------	---	----	---

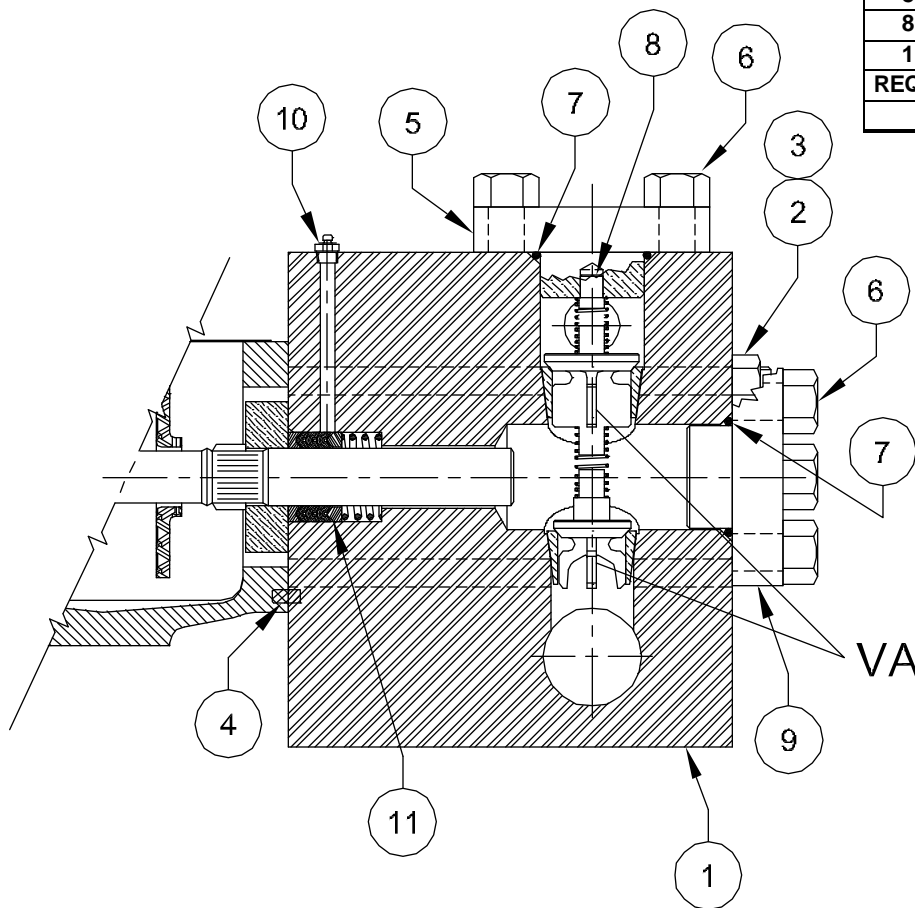
	118668	SEVERE DUTY VALVE - (SELF CONTAINED)	
	NA	DISC VALVE - (SELF CONTAINED)	
	118662, 118663, 118664	WING GUIDED VALVE ASSEMBLY	
	DRAWING No:	VALVE ASSEMBLY	
3	See Plunger Kits	PACKING	8
3	GAS-103028-A03	CYLINDER HEAD COVER (BRONZE)	7
3	180-165000-220	LUBE FITTING (IF USED)	6
6	GAS-102920-000	GASKET (VALVE COVER / CYLINDER HEAD COVER)	5
3	GAS-110812-A03	VALVE COVER (BRONZE) - USED W/ SELF CONTAINED VALVES	
3	GAS-102922-A03	VALVE COVER (BRONZE) - USED W/ WING GUIDED VALVES	4
2	147-058114-220	DOWELL PIN	3
8	100-058200-290	CAPSCREW	2
1	GAS-101102-A03	FLUID END (CAST BRONZE)	1
REQ'D	Part No.	DESCRIPTION	ITEM
BILL OF MATERIAL			



VALVE ASSEMBLY - (WING GUIDED SHOWN)

NOV NATIONAL OILWELL VARCO			
HOUSTON, TEXAS, U.S.A.		ENGINEERING, TULSA, OKLAHOMA	
TITLE: ASSEMBLY, CAST BRONZE FLUID END FLANGED CONNECTIONS, 1-1/4 THRU 1-3/4 MODEL: 55T-3MF (3364-3F, 3364A-SF)			
DWG No.:	118646	SCALE:	NONE
REV		SH1.:	1 of 1

	118668	SEVERE DUTY VALVE - (SELF CONTAINED)	
	NA	DISC VALVE - (SELF CONTAINED)	
	118662, 118663, 118664	WING GUIDED VALVE ASSEMBLY	
	DRAWING No:	VALVE ASSEMBLY	
3	See Plunger Kits	PACKING	11
3	180-165000-220	LUBE FITTING (IF USED)	10
3	GAS-103180-C05	CYLINDER HEAD COVER (STEEL)	9
3	GAS-103190-B04	VALVE STOP PIN *	8
6	110-000331-200	O-RING SEAL (VALVE COVER / CYLINDER HEAD COVER)	7
21	100-034200-290	CAP SCREW	6
3	GAS-103187-000	VALVE COVER (STEEL) - USED W/ WING GUIDED VALVES	
3	GAS-103186-C05	VALVE COVER (STEEL) - USED W/ SELF CONTAINED VALVES	5
2	147-058114-220	DOWELL PIN	4
8	133-058011-286	NUT	3
8	213-058114-286	STUD	2
1	GAS-101093-000	FLUID END (PLATE STEEL)	1
REQ'D	Part No.	DESCRIPTION	ITEM
BILL OF MATERIAL			



VALVE ASSEMBLY - (WING GUIDED SHOWN)

* INCLUDED WITH PART NO. GAS-103187-000, ITEM 5.

NOV NATIONAL OILWELL VARCO

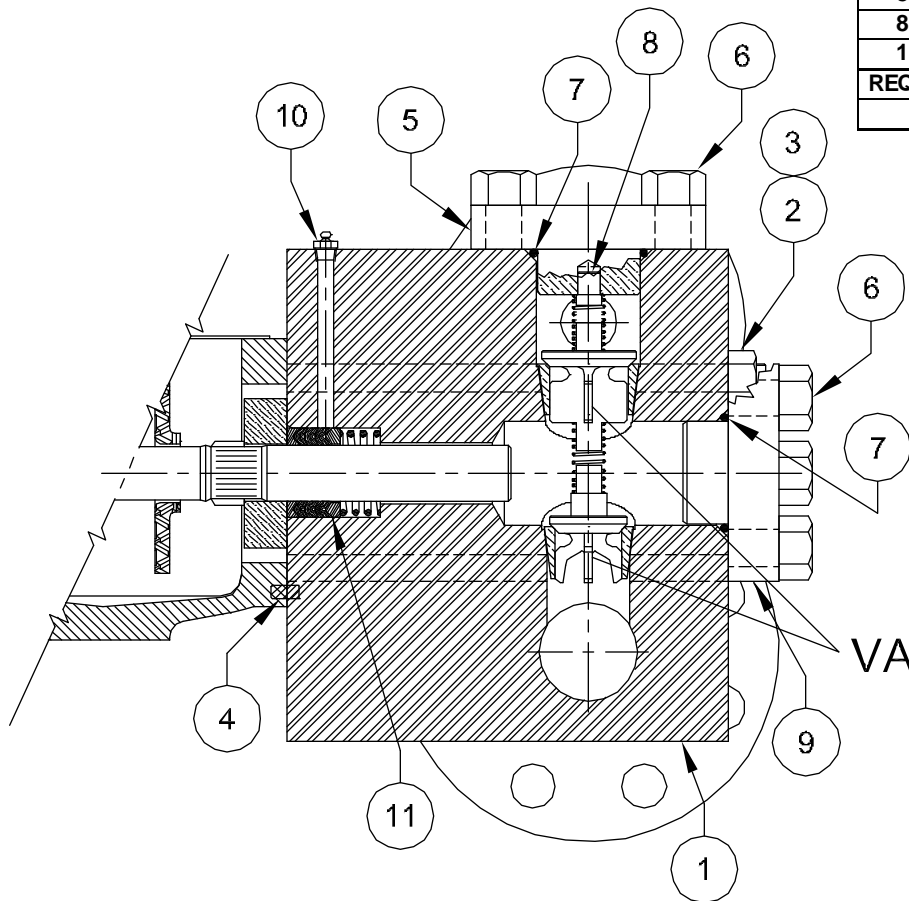
HOUSTON, TEXAS, U.S.A. ENGINEERING, TULSA, OKLAHOMA

TITLE:
**ASSEMBLY, STEEL BILLET FLUID END
 NPT CONNECTIONS, 1-1/2 THRU 1-3/4
 MODEL: 55T-3MS (3364-2, 3364-S)**

DWG No.: 118657	SCALE: NONE	REV A	SHT.: 1 OF 1
--------------------	----------------	----------	-----------------

	118668	SEVERE DUTY VALVE - (SELF CONTAINED)	
	NA	DISC VALVE - (SELF CONTAINED)	
	118662, 118663, 118664	WING GUIDED VALVE ASSEMBLY	
	DRAWING No:	VALVE ASSEMBLY	
3	See Plunger Kits	PACKING	11
3	180-165000-220	LUBE FITTING (IF USED)	10
3	GAS-103180-C05	CYLINDER HEAD COVER (STEEL)	9
3	GAS-103190-B04	VALVE STOP PIN *	8
6	110-000331-200	O-RING SEAL (VALVE COVER / CYLINDER HEAD COVER)	7
21	100-034200-290	CAP SCREW	6
3	GAS-103187-000	VALVE COVER (STEEL) - USED W/ WING GUIDED VALVES	
3	GAS-103186-C05	VALVE COVER (STEEL) - USED W/ SELF CONTAINED VALVES	5
2	147-058114-220	DOWELL PIN	4
8	133-058011-286	NUT	3
8	213-058114-286	STUD	2
1	GAS-110876-000	FLUID END (PLATE STEEL)	1
REQ'D	Part No.	DESCRIPTION	ITEM

BILL OF MATERIAL



VALVE ASSEMBLY - (WING GUIDED SHOWN)

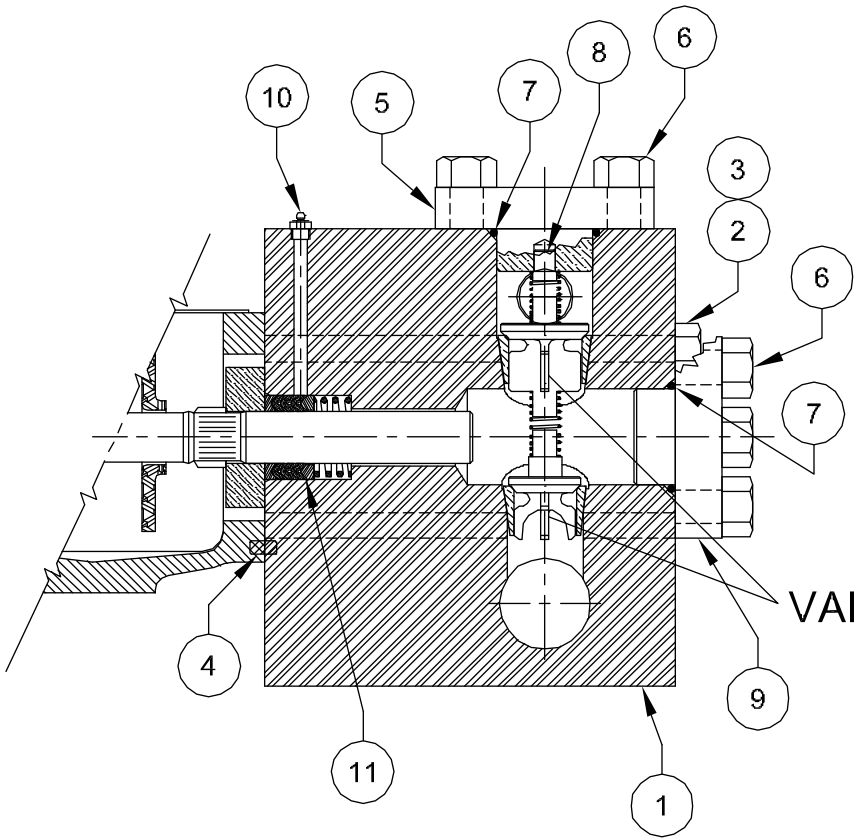
* INCLUDED WITH PART NO. GAS-103187-000, ITEM 5.



HOUSTON, TEXAS, U.S.A. ENGINEERING, TULSA, OKLAHOMA

TITLE:
**ASSEMBLY, STEEL BILLET FLUID END
 FLANGED CONNECTIONS, 1-1/2 THRU 1-3/4
 MODEL: 55T-3MSF (3364-2F, 3364-SF)**


DWG No.:	118660	SCALE:	NONE	REV	A	SHT.:	1 OF 1
----------	--------	--------	------	-----	---	-------	--------



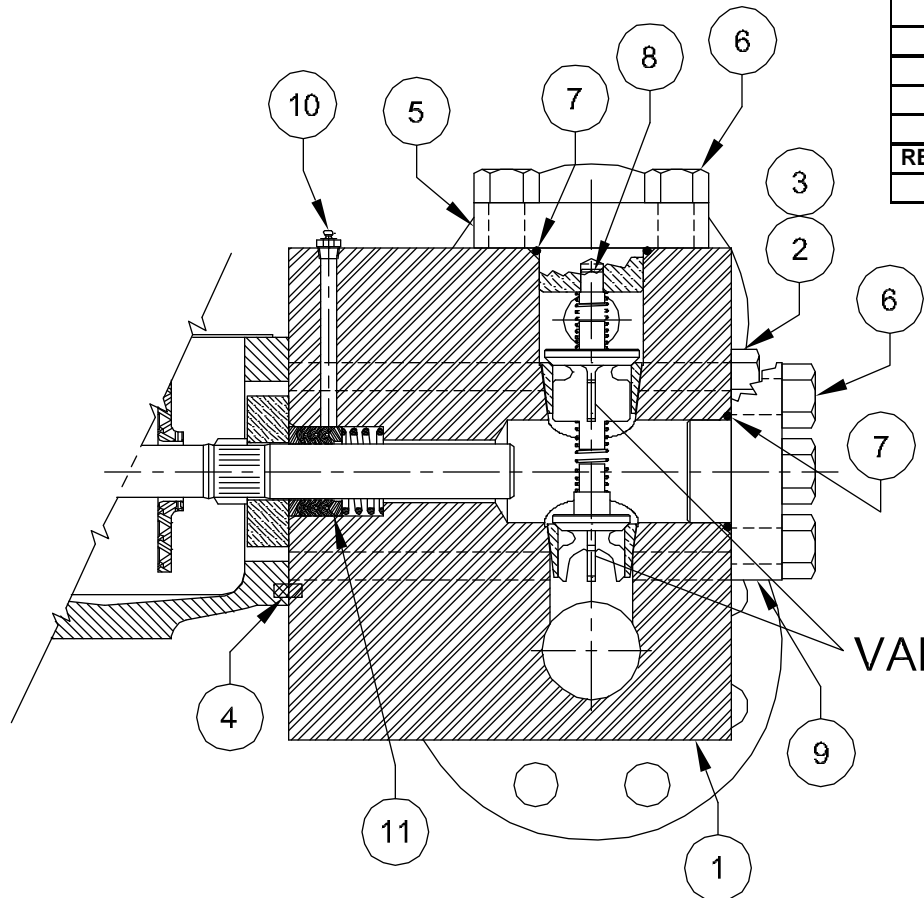
	118668	SEVERE DUTY VALVE - (SELF CONTAINED)	
	NA	DISC VALVE - (SELF CONTAINED)	
	118662, 118663, 118664	WING GUIDED VALVE ASSEMBLY	
	DRAWING No:	VALVE ASSEMBLY	
3	See Plunger Kits	PACKING	11
3	180-165000-220	LUBE FITTING (IF USED)	10
3	GAS-103180-C05	CYLINDER HEAD COVER (STEEL)	9
3	GAS-103190-B04	VALVE STOP PIN *	8
6	110-000331-200	O-RING SEAL (VALVE COVER / CYLINDER HEAD COVER)	7
21	100-034200-290	CAP SCREW	6
3	GAS-103187-000	VALVE COVER (STEEL) - USED W/ WING GUIDED VALVES	
3	GAS-103186-C05	VALVE COVER (STEEL) - USED W/ SELF CONTAINED VALVES	5
2	147-058114-220	DOWELL PIN	4
8	133-058011-286	NUT	3
8	213-058114-286	STUD	2
1	GAS-101181-C06	FLUID END (PLATE STEEL)	1
REQ'D	Part No.	DESCRIPTION	ITEM
BILL OF MATERIAL			

* INCLUDED WITH PART NO. GAS-103187-000, ITEM 5.

VALVE ASSEMBLY - (WING GUIDED SHOWN)

		NATIONAL OILWELL	
HOUSTON, TEXAS, U.S.A.		ENGINEERING, TULSA, OKLAHOMA	
TITLE:			
ASSEMBLY, STEEL BILLET FLUID END NPT CONNECTIONS, 1 THRU 1-1/4 MODEL: 55T-3H (3364-1, 3364-HU)			
DWG No:	118656	SCALE:	NONE
REV	A	SHT.:	1 OF 1

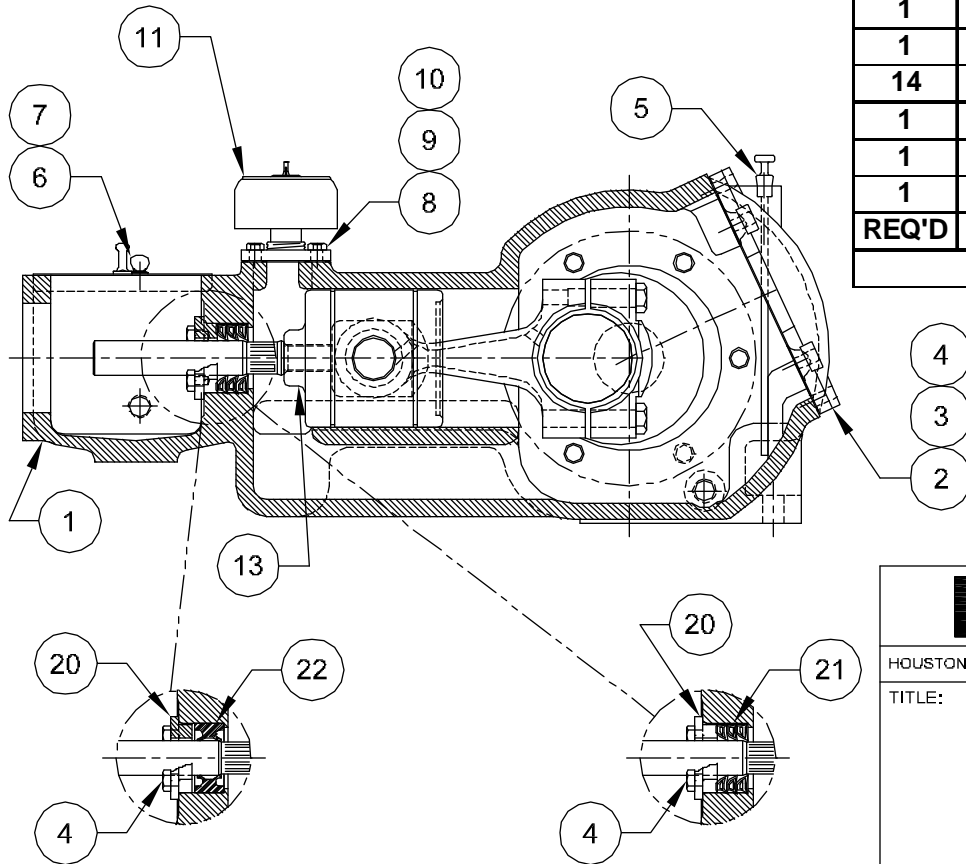
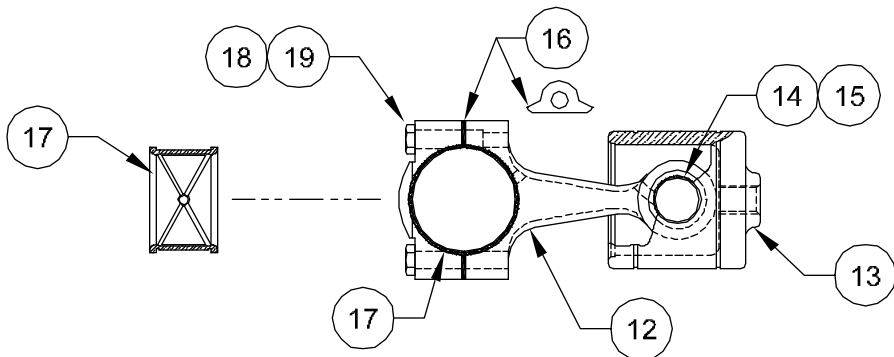
	118668	SEVERE DUTY VALVE - (SELF CONTAINED)	
	NA	DISC VALVE - (SELF CONTAINED)	
	118662, 118663, 118664	WING GUIDED VALVE ASSEMBLY	
	<u>DRAWING No:</u>	<u>VALVE ASSEMBLY</u>	
3	See Plunger Kits	PACKING	11
3	180-165000-220	LUBE FITTING (IF USED)	10
3	GAS-103180-C05	CYLINDER HEAD COVER (STEEL)	9
3	GAS-103190-B04	VALVE STOP PIN *	8
6	110-000331-200	O-RING SEAL (VALVE COVER / CYLINDER HEAD COVER)	7
21	100-034200-290	CAP SCREW	6
3	GAS-103187-000	VALVE COVER (STEEL) - USED W/ WING GUIDED VALVES	
3	GAS-103186-C05	VALVE COVER (STEEL) - USED W/ SELF CONTAINED VALVES	5
2	147-058114-220	DOWELL PIN	4
8	133-058011-286	NUT	3
8	213-058114-286	STUD	2
1	GAS-107947-000	FLUID END (PLATE STEEL)	1
REQ'D	Part No.	DESCRIPTION	ITEM
BILL OF MATERIAL			



INCLUDED WITH PART NO. GAS-103187-000, ITEM 5.

VALVE ASSEMBLY - (WING GUIDED SHOWN)

NOV NATIONAL OILWELL VARCO			
HOUSTON, TEXAS, U.S.A.		ENGINEERING, TULSA, OKLAHOMA	
TITLE: ASSEMBLY, STEEL BILLET FLUID END FLANGED CONNECTIONS, 1 THRU 1-1/4 MODEL: 55T-3HF (3364-1H, 3364-HUF)			
DWG No.:	SCALE:	REV	SHT.:
118659	NONE	A	1 OF 1



3	GAS-103168-000	U-CUP TYPE (PACKING GLAND)	22
3	GAS-102815-000	LIP TYPE (PACKING GLAND)	21
3	GAS-102817-A11	PACKING GLAND	20
6	154-058108-286	LOCK WASHER	19
6	100-058234-290	CAP SCREW	18
3	GAS-100605-000	BEARING (CONNECTING ROD)	17
3	GAS-100607-000	SHIM SET (CONNECTING ROD)	16
3	GAS-101865-E03	BEARING, WRIST PIN	15
3	GAS-100611-B27	WRIST PIN	14
3	GAS-100608-A01	CROSSHEAD	13
3	GAS-112533-000	CONNECTING ROD *	12
1	AAB-113766-000	AIR BREATHER	11
6	100-038034-290	CAP SCREW	10
1	GAS-114118-C05	HANDHOLE COVER	9
1	GAS-100613-G03	GASKET (HANDHOLE COVER)	8
2	GAS-103670-000	THUMB SCREW (CRADLECOVER)	7
1	GAS-100617-C02	CRADLE COVER	6
1	GAS-114119-000	OIL STICK LEVEL GAUGE	5
14	100-038114-290	CAP SCREW	4
1	GAS-100596-G03	GASKET (CRANKCASE COVER)	3
1	GAS-100595-A18	CRANK CASE COVER	2
1	GAS-100593-A01	POWER FRAME	1
REQ'D	Part No.	DESCRIPTION	ITEM

BILL OF MATERIAL

* INCLUDES ITEMS 15, 18, & 19.

NOV NATIONAL OILWELL VARCO

HOUSTON, TEXAS, U.S.A.

ENGINEERING, TULSA, OKLAHOMA

TITLE:

**ASSEMBLY, POWER END
OLD STYLE
MODEL: 3364**

DWG No.:

118630

SCALE:

NONE

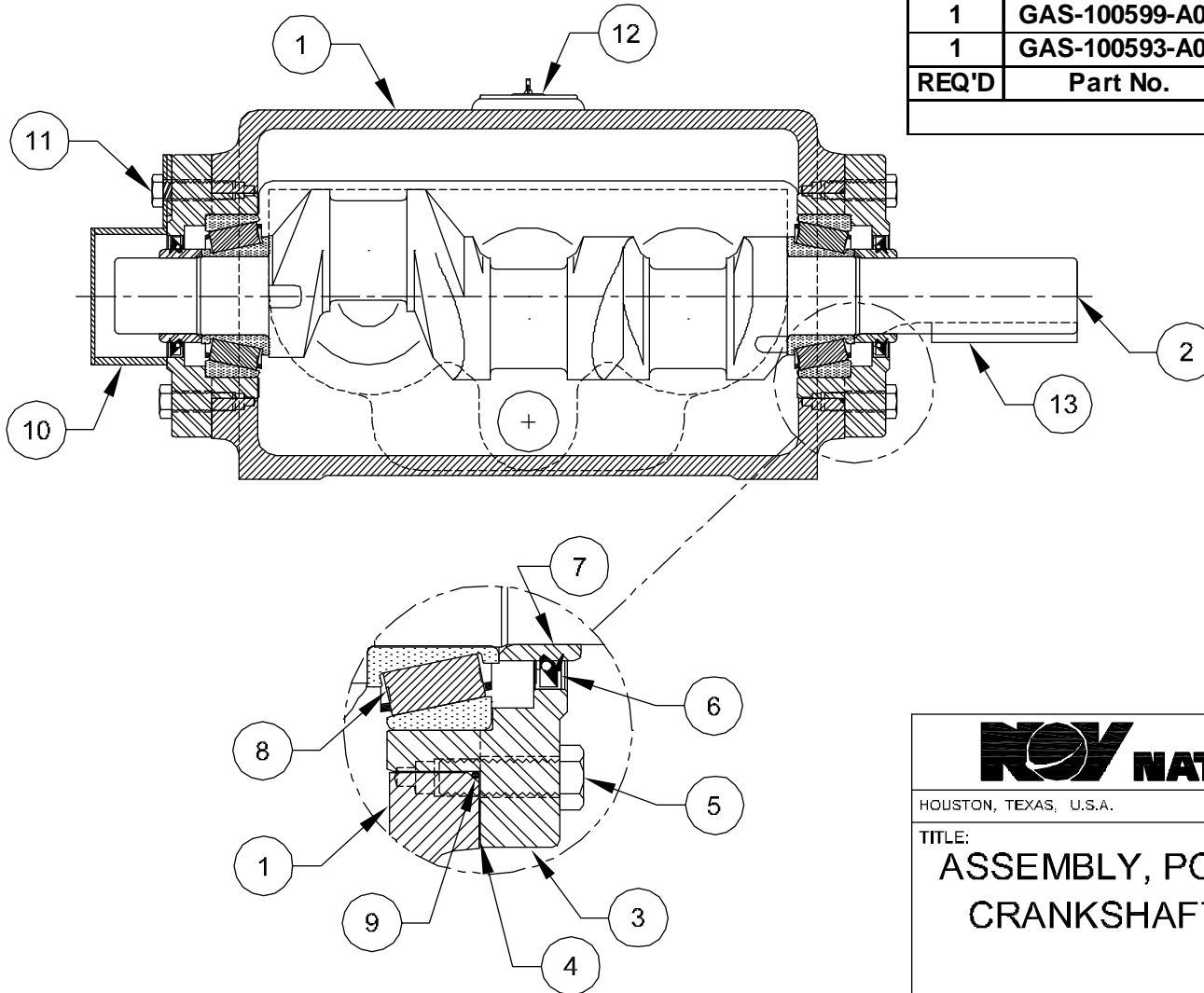
REV

A

SHT.:

1 OF 1

1	146-058434-236	KEY	13
1	AAB-113766-000	AIR BREATHER	12
2	100-058214-290	CAP SCREW (COVER)	11
1	GAS-106420-000	END COVER (CRANKSHAFT)	10
2	110-000261-201	O-RING	9
2	120-256053-999	TAPERED ROLLER BEARING	8
2	GAS-100619-B03	WEAR RING (CRANK SHAFT)	7
2	GAS-102287-000	OIL SEAL (CRANK SHAFT)	6
10	100-058200-290	CAP SCREW	5
2	GAS-101964-000	SHIM SET	4
2	AAB-113993-A01	BEARING HOUSING	3
1	GAS-100599-A02	CRANK SHAFT (SINGLE EXTENDED)	2
1	GAS-100593-A01	POWER FRAME	1
REQ'D	Part No.	DESCRIPTION	ITEM
BILL OF MATERIAL			



19

NOV NATIONAL OILWELL VARCO

HOUSTON, TEXAS, U.S.A.

ENGINEERING, TULSA, OKLAHOMA

TITLE:

ASSEMBLY, POWER END, SINGLE EXTENDED
CRANKSHAFT, 3-1/4" THROW (OLD-STYLE)

MODEL: 3364

DWG No.:

118631

SCALE:

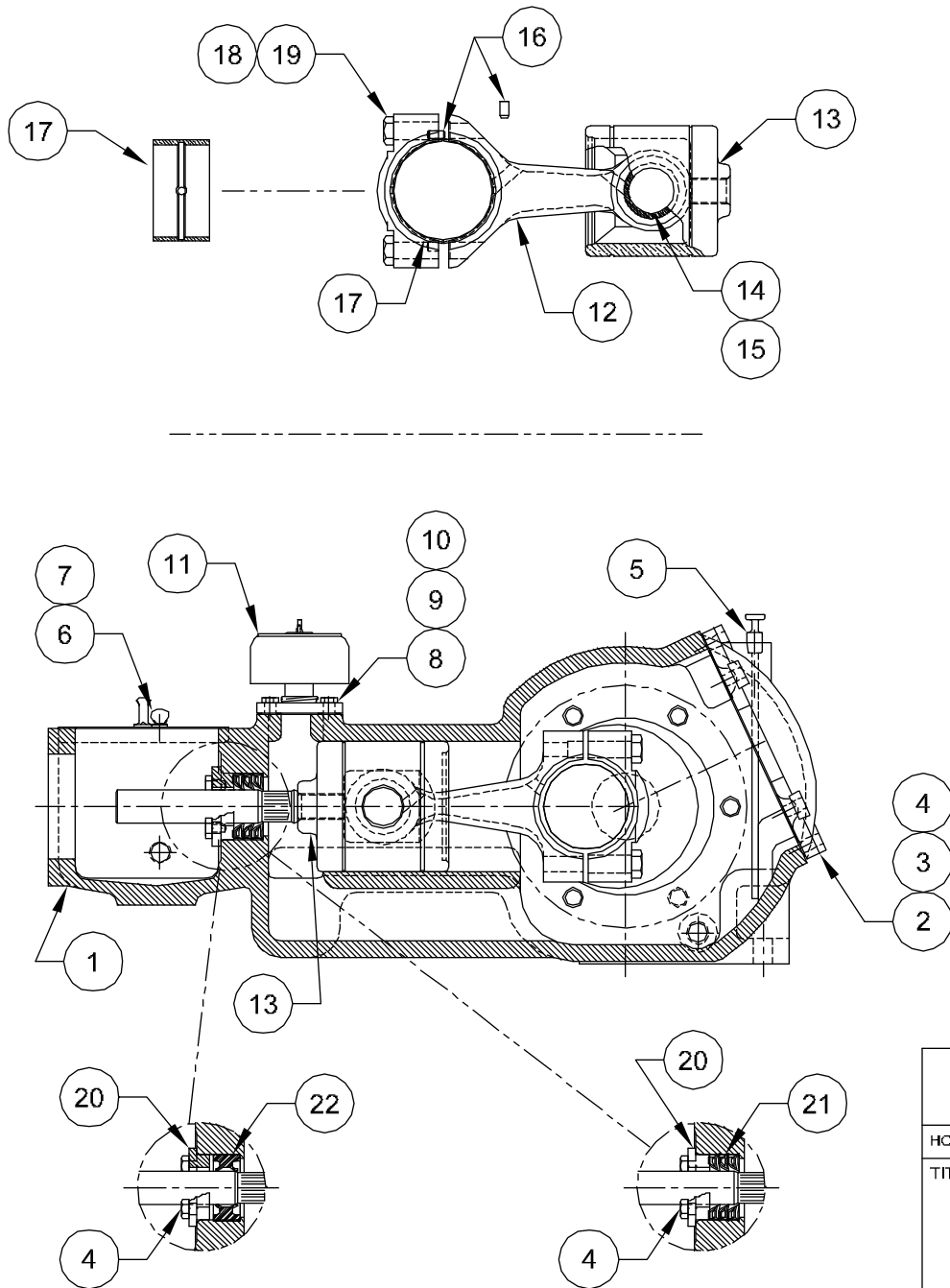
NONE

REV

A

SHT.:

1 OF 1



3	GAS-103168-000	U-CUP TYPE (PACKING GLAND)	22
3	GAS-102815-000	LIP TYPE (PACKING GLAND)	21
3	GAS-102817-A11	PACKING GLAND	20
6	154-038108-286	LOCK WASHER	19
6	100-058234-290	CAP SCREW	18
3	GAS-114784-E02	BEARING (CONNECTING ROD)	17
6	GAS-106867-000	DOWELL PIN, (CONNECTING ROD)	16
3	GAS-103631-000	BEARING, WRIST PIN	15
3	AAB-112977-448	WRIST PIN	14
3	GAS-103655-A01	CROSSHEAD	13
3	GAS-114786-000	CONNECTING ROD *	12
1	AAB-113766-000	AIR BREATHER	11
6	100-038034-290	CAP SCREW	10
1	GAS-114118-C05	HANDHOLE COVER	9
1	GAS-100613-G03	GASKET (HANDHOLE COVER)	8
2	GAS-103670-000	THUMB SCREW (CRADLE COVER)	7
1	GAS-100617-C02	CRADLE COVER	6
1	GAS-114119-000	DIPSTICK	5
14	100-038114-290	CAP SCREW	4
1	GAS-100596-G03	GASKET (CRANKCASE COVER)	3
1	GAS-100595-A18	CRANK CASE COVER	2
1	GAS-100593-A01	POWER FRAME	1
REQ'D	Part No.	DESCRIPTION	ITEM

BILL OF MATERIAL

* INCLUDES ITEMS 15, 16, 18, & 19

20

NOV NATIONAL OILWELL VARCO

HOUSTON, TEXAS, U.S.A.

ENGINEERING, TULSA, OKLAHOMA

TITLE:

ASSEMBLY, POWER END
NEW STYLE
MODEL: 55T-3 (3364)

DWG No.:

118632

SCALE:

NONE

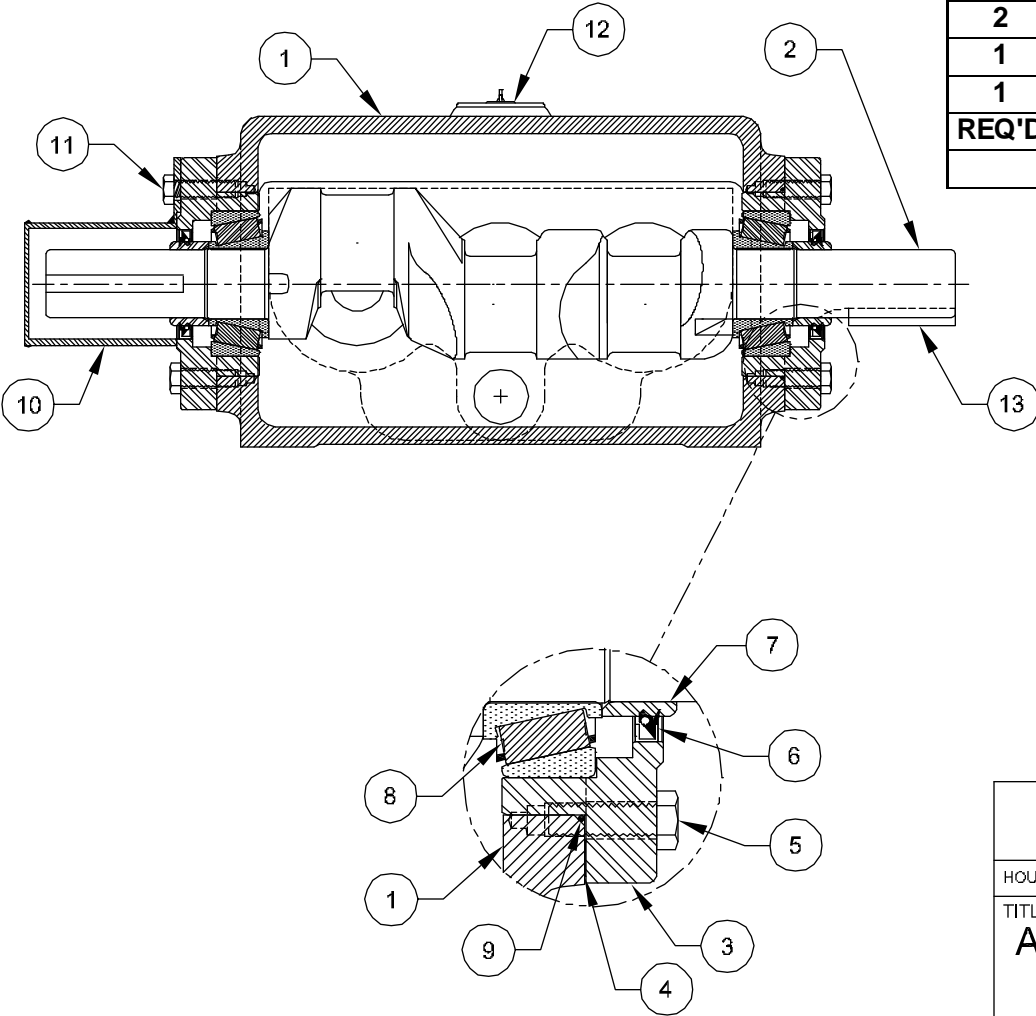
REV

A

SHT.:

1 OF 1

1	146-058378-236	KEY	13
1	AAB-113766-000	AIR BREATHER	12
2	100-058214-290	CAP SCREW	11
1	GAS-113693-000	END COVER (CRANKSHAFT)	10
2	110-000261-201	O-RING	9
2	120-256053-999	TAPERED ROLLER BEARING	8
2	GAS-100619-B03	WEAR RING (CRANK SHAFT)	7
2	GAS-102287-000	OIL SEAL (CRANK SHAFT)	6
10	100-058200-290	CAP SCREW	5
2	GAS-101964-000	SHIM SET	4
2	AAB-113993-A01	BEARING HOUSING	3
1	GAS-113659-A02	CRANK SHAFT (DOUBLE EXTENDED)	2
1	GAS-100593-A01	POWER FRAME	1
REQ'D	Part No.	DESCRIPTION	ITEM
BILL OF MATERIAL			



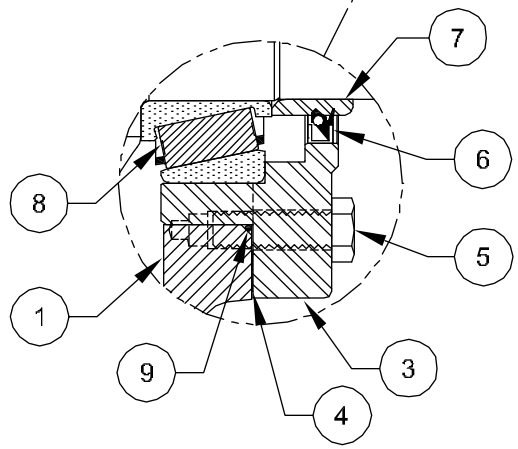
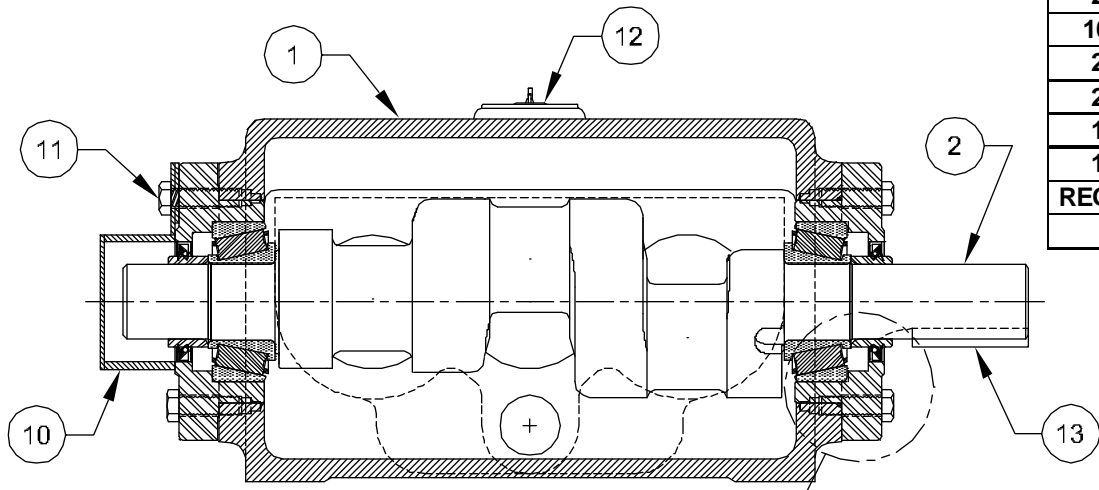
21

NOV NATIONAL OILWELL VARCO

HOUSTON, TEXAS, U.S.A. ENGINEERING, TULSA, OKLAHOMA

TITLE:
**ASSEMBLY, POWER END, DOUBLE EXTENDED
 CRANKSHAFT, 3-1/2" THROW (NEW STYLE)
 MODEL: 55T-3 (3364)**

DWG No.:	118633	SCALE:	NONE	REV	A	SHT.:	1 OF 1
----------	--------	--------	------	-----	---	-------	--------



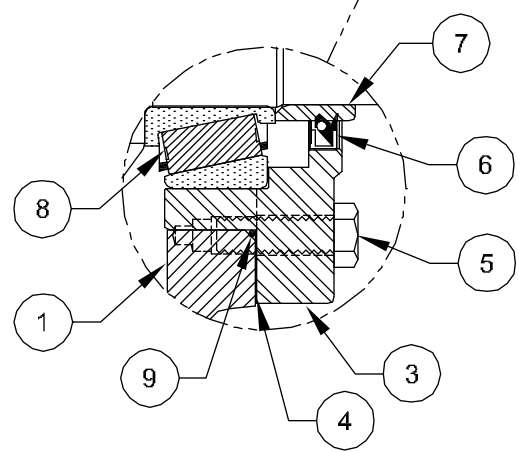
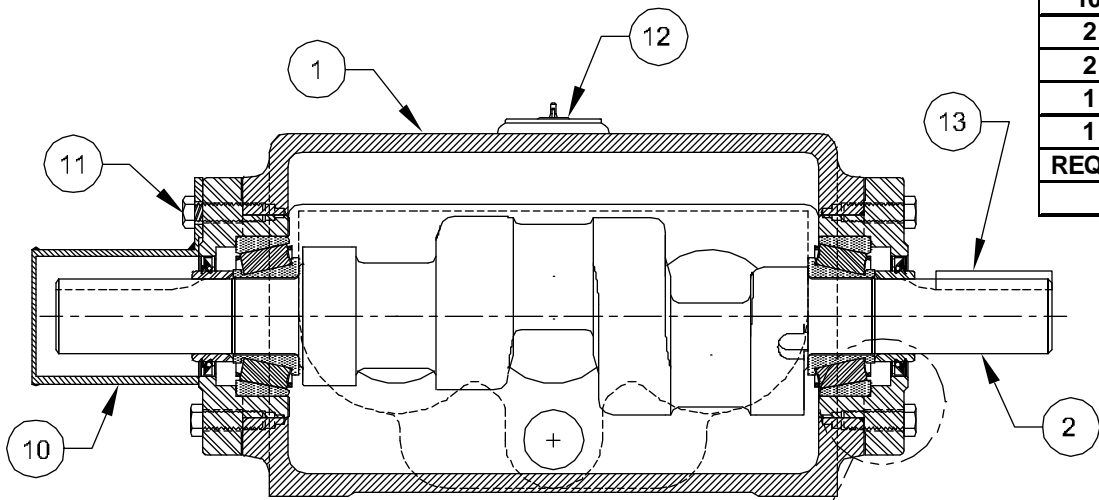
1	146-058378-236	KEY	13
1	AAB-113766-000	AIR BREATHER	12
2	100-058214-290	CAP SCREW	11
1	GAS-106420-000	END COVER (CRANKSHAFT)	10
2	110-000261-201	O-RING	9
2	120-256053-999	TAPERED ROLLER BEARING	8
2	GAS-100619-B03	WEAR RING (CRANK SHAFT)	7
2	GAS-102287-000	OIL SEAL (CRANK SHAFT)	6
10	100-058200-290	CAP SCREW	5
2	GAS-101964-000	SHIM SET	4
2	AAB-113993-A01	BEARING HOUSING	3
1	AAD-115378-A09	CRANK SHAFT (SINGLE EXTENDED) **	2
1	GAS-100593-A01	POWER FRAME	1
REQ'D	Part No.	DESCRIPTION	ITEM
BILL OF MATERIAL			

**** NOTE**

HEAVY DUTY CRANKSHAFT REQUIRED ON 55T-3SC (3364-5SC).
 OPTIONAL CRANKSHAFT FOR OTHER 55T-3 MODELS

NOV NATIONAL OILWELL VARCO			
HOUSTON, TEXAS, U.S.A.		ENGINEERING, TULSA, OKLAHOMA	
TITLE: ASSEMBLY, POWER END, SINGLE EXTENDED CRANKSHAFT, 3-1/2" THROW (HEAVY DUTY) MODEL: 55T-3 (3364) - SEE NOTE			
DWG No.:	SCALE:	REV	SHT.:
118634	NONE	A	1 OF 1

1	146-058378-236	KEY	13
1	AAB-113766-000	AIR BREATHER	12
2	100-058214-290	CAP SCREW	11
1	GAS-113693-000	END COVER (CRANKSHAFT)	10
2	110-000261-201	O-RING	9
2	120-256053-999	TAPERED ROLLER BEARING	8
2	GAS-100619-B03	WEAR RING (CRANK SHAFT)	7
2	GAS-102287-000	OIL SEAL (CRANK SHAFT)	6
10	100-058200-290	CAP SCREW	5
2	GAS-101964-000	SHIM SET	4
2	AAB-113993-A01	BEARING HOUSING	3
1	AAD-115187-A09	CRANK SHAFT (DOUBLE EXTENDED) **	2
1	GAS-100593-A01	POWER FRAME	1
REQ'D	Part No.	DESCRIPTION	ITEM
BILL OF MATERIAL			



**** NOTE**

HEAVY DUTY CRANKSHAFT REQUIRED ON 55T-3SC (3364-55C).
OPTIONAL CRANKSHAFT FOR OTHER 55T-3 MODELS

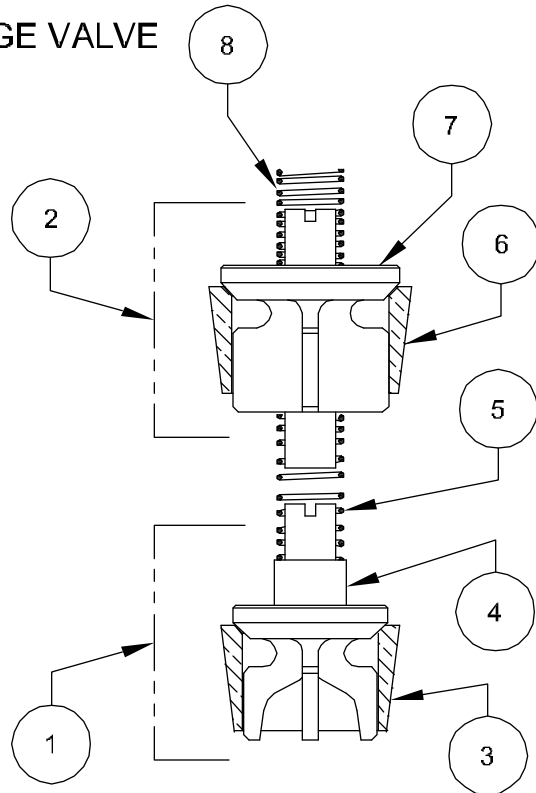


HOUSTON, TEXAS, U.S.A. ENGINEERING, TULSA, OKLAHOMA

TITLE:
**ASSEMBLY, POWER END, DOUBLE EXTENDED
CRANKSHAFT, 3-1/2" THROW (HEAVY DUTY)
MODEL: 55T-3 (3364) - SEE NOTE**

DWG No.:	SCALE:	REV	SHT.:
118635	NONE	A	1 OF 1

DISCHARGE VALVE

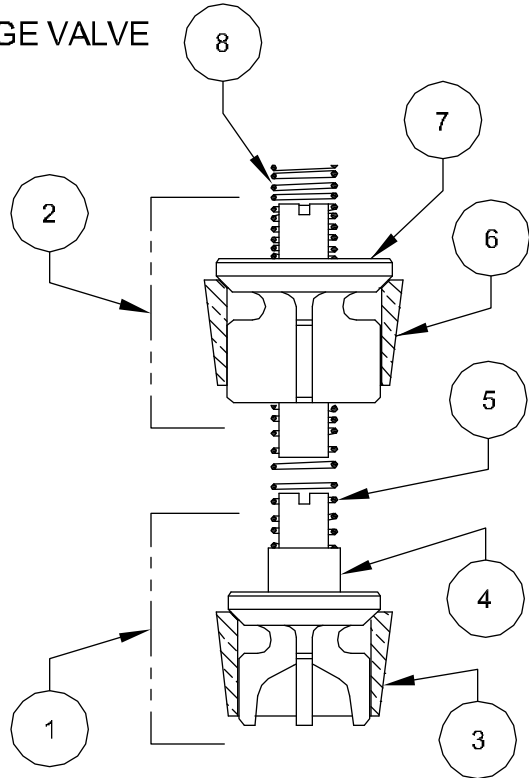


SUCTION VALVE

3	GAS-102995-B16	SPRING (INCONEL)	8
3	GAS-102984-A14	WING GUIDED VALVE	7
3	GAS-102989-000	SEAT	6
(DISCHARGE)			
3	GAS-102995-B16	SPRING (INCONEL)	5
3	GAS-101145-A14	WING GUIDED VALVE	4
3	GAS-102989-000	SEAT	3
(SUCTION)			
3	GAS-110792-000	DISCHARGE VALVE ASSEMBLY	2
3	GAS-110796-000	SUCTION VALVE ASSEMBLY	1
- (STEEL) -			
REQ'D	Part No.	DESCRIPTION	ITEM
BILL OF MATERIAL			

NOV NATIONAL OILWELL VARCO			
HOUSTON, TEXAS, U.S.A.		ENGINEERING, TULSA, OKLAHOMA	
TITLE:			
STEEL WING GUIDED VALVE ASSEMBLIES MODLE: 55T-3SC, 55T-3LS, 55T-3L, (3364-5, 3364-6, 3364-7, 3364A-L, 3364-O, 3364A-O)			
DWG No.:	SCALE:	REV	SHT.:
118665	NONE	A	1 OF 1

DISCHARGE VALVE



SUCTION VALVE

3	GAS-102995-B16	SPRING (INCONEL)	8
3	GAS-102983-A05	WING GUIDED VALVE	7
3	GAS-102988-A05	SEAT	6
(DISCHARGE)			
3	GAS-102995-B16	SPRING (INCONEL)	5
3	GAS-101144-A05	WING GUIDED VALVE	4
3	GAS-102988-A05	SEAT	3
(SUCTION)			
3	GAS-110790-000	DISCHARGE VALVE ASSEMBLY	2
3	GAS-110795-000	SUCTION VALVE ASSEMBLY	1
- (STAINLESS) -			
REQ'D	Part No.	DESCRIPTION	ITEM
BILL OF MATERIAL			

25

NOV NATIONAL OILWELL VARCO

HOUSTON, TEXAS, U.S.A.

ENGINEERING, TULSA, OKLAHOMA

TITLE:

STAINLESS STEEL WING GUIDED VALVE
ASSEMBLIES, MODEL: 55T-3SC, 55T-3LS, 55T-3L,
(3364-5, 3364-6, 3364-7, 3364A-L, 3364-O, 3364A-O)

DWG No.:

118666

SCALE:

NONE

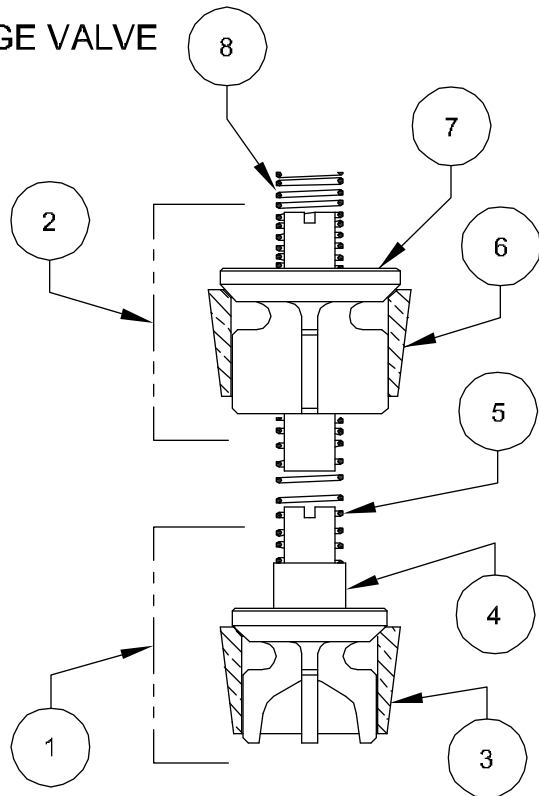
REV

A

SHT.:

1 OF 1

DISCHARGE VALVE



SUCTION VALVE

3	GAS-102995-B16	SPRING (INCONEL)	8
3	GAS-102980-A03	WING GUIDED VALVE	7
3	GAS-102985-A03	SEAT	6
(DISCHARGE)			
3	GAS-102995-B16	SPRING (INCONEL)	5
3	GAS-101142-A03	WING GUIDED VALVE	4
3	GAS-102985-A03	SEAT	3
(SUCTION)			
3	GAS-110788-000	DISCHARGE VALVE ASSEMBLY	2
3	GAS-110793-000	SUCTION VALVE ASSEMBLY	1
- (BRONZE) -			
REQ'D	Part No.	DESCRIPTION	ITEM
BILL OF MATERIAL			



HOUSTON, TEXAS, U.S.A.

ENGINEERING, TULSA, OKLAHOMA

TITLE:

BRONZE WING GUIDED VALVE ASSEMBLIES

MODEL: 55T-3SC, 55T-3LS, 55T-3L, (3364-5, 3364-6, 3364-7, 3364A-L, 3364-O, 3364A-O)

DWG No.:

118667

SCALE:

NONE

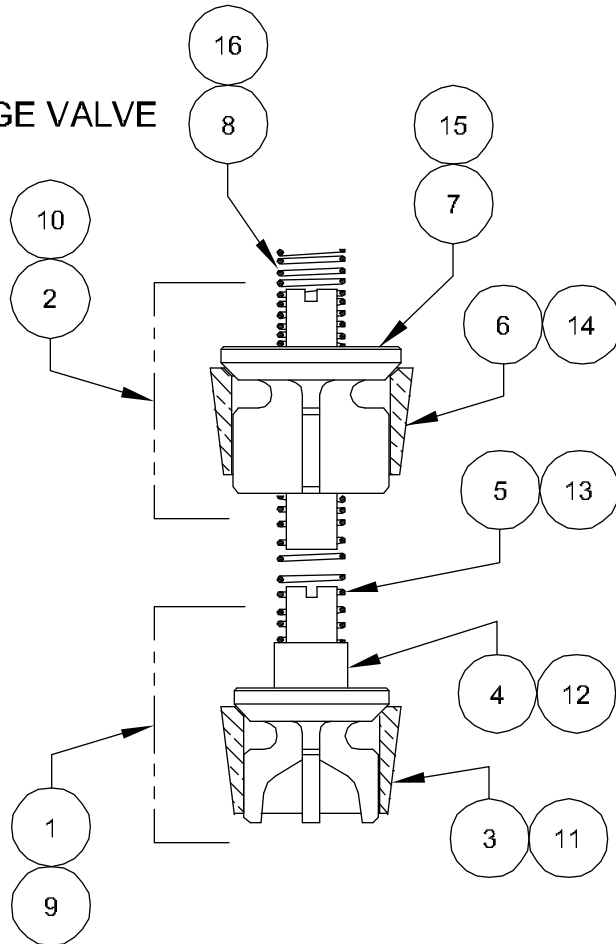
REV

A

SHT.:

1 OF 1

DISCHARGE VALVE



SUCTION VALVE

3	GAS-102995-B16	SPRING (INCONEL)	16
3	GAS-102984-A14	WING GUIDED VALVE	15
3	GAS-102993-000	SEAT (SHOULDERED)	14
(DISCHARGE)			
3	GAS-102995-B16	SPRING (INCONEL)	13
3	GAS-102970-000	WING GUIDED VALVE	12
3	GAS-102979-000	SEAT (SHOULDERED)	11
(SUCTION)			
3	GAS-110787-000	DISCHARGE VALVE ASSEMBLY w/ SHOULDERED SEAT	10
3	GAS-110778-000	SUCTION VALVE ASSEMBLY w/ SHOULDERED SEAT	9
SHOULDERED VALVE SEATS - SEE NOTE.			
3	GAS-102995-B16	SPRING (INCONEL)	8
3	GAS-102984-A14	WING GUIDED VALVE	7
3	GAS-102989-000	SEAT	6
(DISCHARGE)			
3	GAS-102995-B16	SPRING (INCONEL)	5
3	GAS-102970-000	WING GUIDED VALVE	4
3	GAS-102975-000	SEAT	3
(SUCTION)			
3	GAS-110792-000	DISCHARGE VALVE ASSEMBLY	2
3	GAS-110783-000	SUCTION VALVE ASSEMBLY	1
SHOULDERLESS VALVE SEATS			
- (STEEL) -			
REQ'D	Part No.	DESCRIPTION	ITEM
BILL OF MATERIAL			

27

NOTE: RECOMMENDED FOR 1-3/4" AND SMALLER PLUNGERS.

NOV NATIONAL OILWELL VARCO

HOUSTON, TEXAS, U.S.A.

ENGINEERING, TULSA, OKLAHOMA

TITLE:

STEEL WING GUIDED VALVE ASSEMBLIES
MODEL: 55T-3M,55T-3MS,55T-3H,3364-4,(3364-3
3364-2,3364-1,3364A-M,3364A-S,3364-S,3364-HU)

DWG No.:

118662

SCALE:

NONE

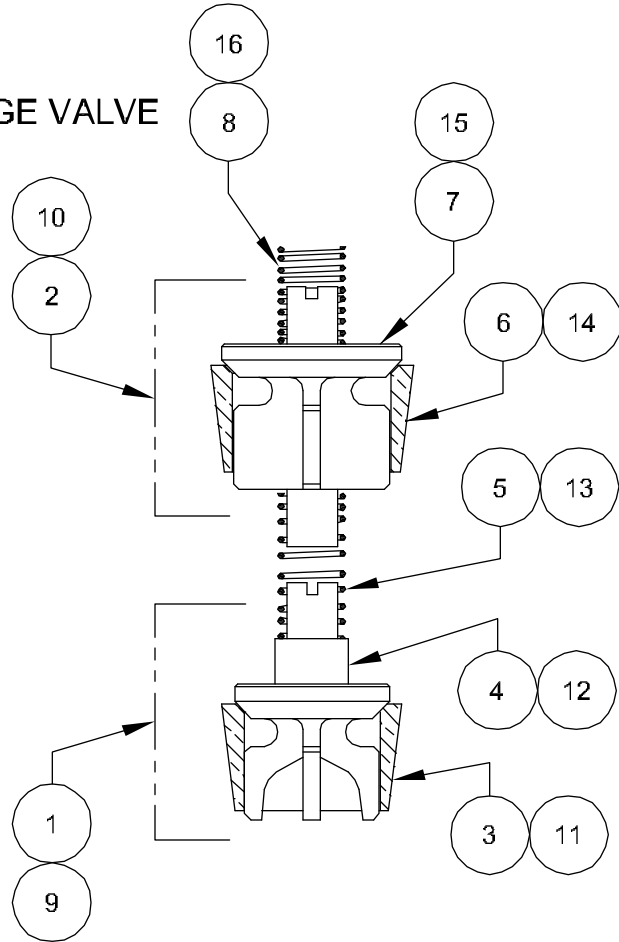
REV

A

SHT.:

1 OF 1

DISCHARGE VALVE



SUCTION VALVE

NOTES:

1. ALSO FITS 3364-3, 3364-2, 3364-1, 3364A-M, 3364A-S, 3364-S, AND 3364-HU.
2. RECOMMENDED FOR 1-3/4" AND SMALLER PLUNGERS.

3	GAS-102995-B16	SPRING (INCONEL)	16
3	GAS-102983-A05	WING GUIDED VALVE	15
3	GAS-102992-000	SEAT (SHOULDERED)	14
(DISCHARGE)			
3	GAS-102995-B16	SPRING (INCONEL)	13
3	GAS-102969-A05	WING GUIDED VALVE	12
3	GAS-102978-A05	SEAT (SHOULDERED)	11
(SUCTION)			
3	GAS-110786-000	DISCHARGE VALVE ASSEMBLY w/ SHOULDERED SEAT	10
3	GAS-110777-000	SUCTION VALVE ASSEMBLY w/ SHOULDERED SEAT	9
SHOULDERED VALE SEATS - SEE NOTE 2.			
3	GAS-102995-B16	SPRING (INCONEL)	8
3	GAS-102983-A05	WING GUIDED VALVE	7
3	GAS-102988-A05	SEAT	6
(DISCHARGE)			
3	GAS-102995-B16	SPRING (INCONEL)	5
3	GAS-102969-A05	WING GUIDED VALVE	4
3	GAS-102974-A05	SEAT	3
(SUCTION)			
3	GAS-110790-000	DISCHARGE VALVE ASSEMBLY	2
3	GAS-110781-000	SUCTION VALVE ASSEMBLY	1
SHOULDERLESS VALVE SEATS			
- (STAINLESS) -			
REQ'D	Part No.	DESCRIPTION	ITEM
BILL OF MATERIAL			

28

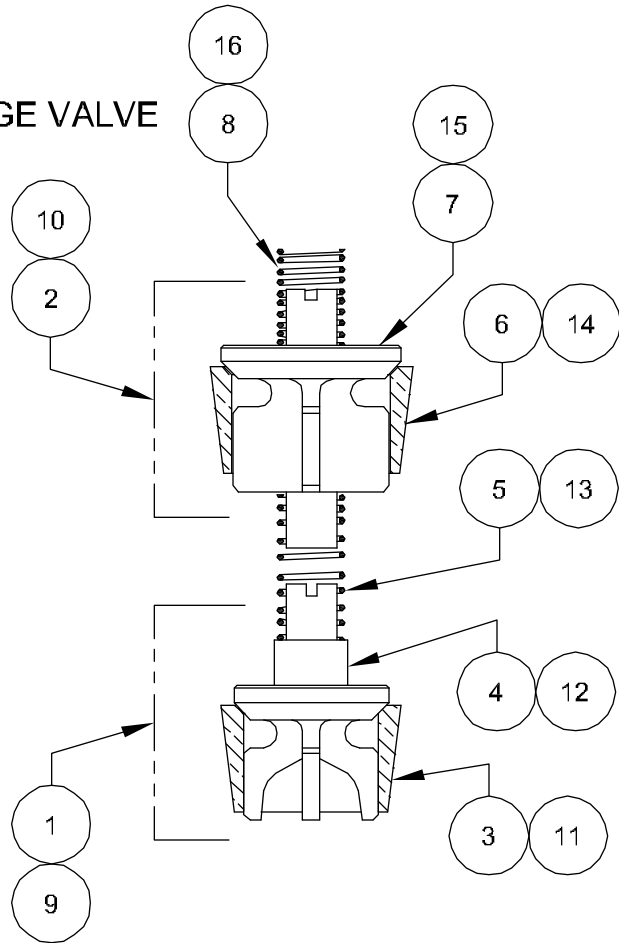


HOUSTON, TEXAS, U.S.A. ENGINEERING, TULSA, OKLAHOMA

TITLE:
**STAINLESS STEEL WING GUIDED
 VALVE ASSEMBLIES**
MODEL: 55T-3M, 55T-3MS, 55T-3H, 3364-4

DWG No.: 118663	SCALE: NONE	REV: A	SHT.: 1 OF 1
-----------------	-------------	--------	--------------

DISCHARGE VALVE



SUCTION VALVE

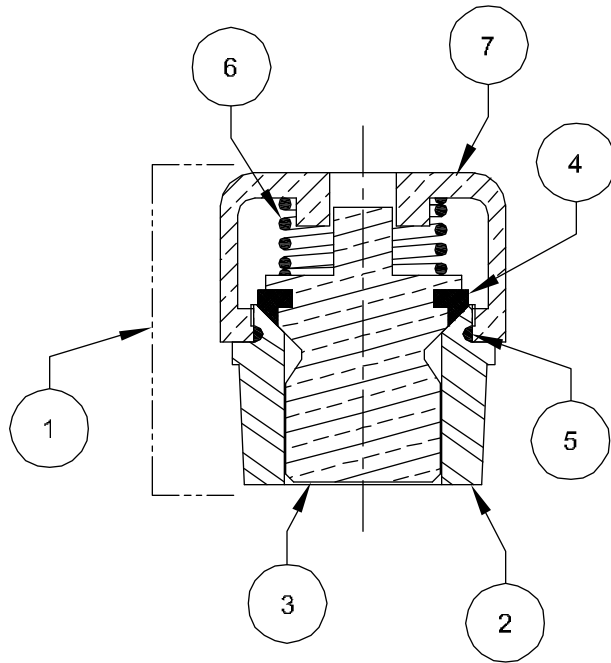
3	GAS-102995-B16	SPRING (INCONEL)	16
3	GAS-102980-A03	WING GUIDED VALVE	15
3	GAS-102990-000	SEAT (SHOULDERED)	14
(DISCHARGE)			
3	GAS-102995-B16	SPRING (INCONEL)	13
3	GAS-102966-A03	WING GUIDED VALVE	12
3	GAS-102976-A03	SEAT (SHOULDERED)	11
(SUCTION)			
3	GAS-110784-000	DISCHARGE VALVE ASSEMBLY w/ SHOULDERED SEAT	10
3	GAS-110775-000	SUCTION VALVE ASSEMBLY w/ SHOULDERED SEAT	9
SHOULDERED VALVE SEATS - SEE NOTE.			
3	GAS-102995-B16	SPRING (INCONEL)	8
3	GAS-102980-A03	WING GUIDED VALVE	7
3	GAS-102985-A03	SEAT	6
(DISCHARGE)			
3	GAS-102995-B16	SPRING (INCONEL)	5
3	GAS-102966-A03	WING GUIDED VALVE	4
3	GAS-102971-A03	SEAT	3
(SUCTION)			
3	GAS-110788-000	DISCHARGE VALVE ASSEMBLY	2
3	GAS-110779-000	SUCTION VALVE ASSEMBLY	1
SHOULDERLESS VALVE SEATS			
- (BRONZE) -			
REQ'D	Part No.	DESCRIPTION	ITEM
BILL OF MATERIAL			

29

NOTE: RECOMMENDED FOR 1-3/4" AND SMALLER PLUNGERS.

NOV NATIONAL OILWELL VARCO			
HOUSTON, TEXAS, U.S.A.		ENGINEERING, TULSA, OKLAHOMA	
TITLE: BRONZE WING GUIDED VALVE ASSEMBLIES MODEL: 55T-3M,55T-3MS,55T-3H,3364-4,(3364-3, 3364-2,3364-1,3364A-M,3364A-S,3364-S,3364-HU)			
DWG No.:	118664	SCALE:	NONE
REV	A	SHT.:	1 OF 1

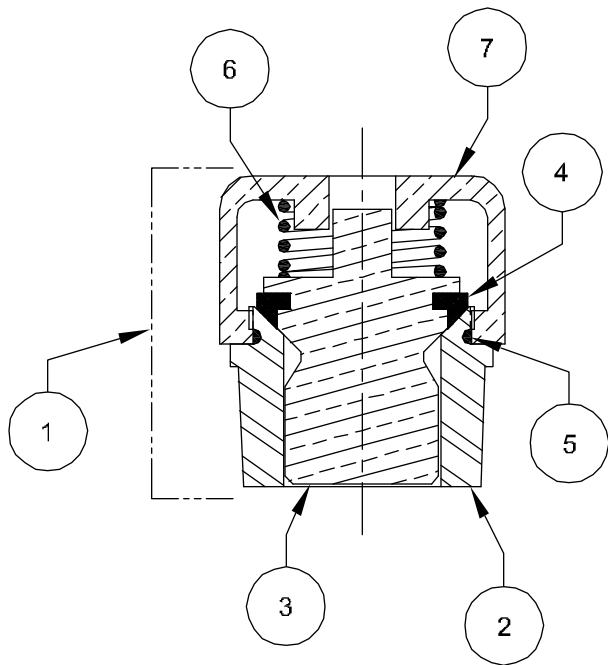
3	SDR05	RETAINER	7
3	SDS051	SPRING	6
3	SDL05	THREAD LOCK	5
3	SDI05	INSERT	4
3	SD05	VALVE, L/INSERT	3
3	1000502	SEAT	2
3	100SD0502	ASSEMBLY, SEVERE DUTY	1
- (SUCTION / DISCHARGE) -			
REQ'D	Part No.	DESCRIPTION	ITEM
BILL OF MATERIAL			



ALSO USED ON THE FOLLOWING PUMPS:

3364-5, 3364-6, 3364-7, 3364A-L, 3364-O, 3364A-O

NOV NATIONAL OILWELL VARCO			
HOUSTON, TEXAS, U.S.A.		ENGINEERING, TULSA, OKLAHOMA	
TITLE:			
ASSEMBLY, SEVERE DUTY VALVE (AR) SUCTION & DISCHARGE MODEL: 55T-3SC, 55T-3LS, 55T-3L			
DWG No.:	SCALE:	REV	SHT.:
118669	NONE	A	1 OF 1



3	SDR05	RETAINER	7
3	SDS051	SPRING	6
3	SDL05	THREAD LOCK	5
3	SDI05	INSERT	4
3	SD05	VALVE, L/INSERT	3
3	1000502	SEAT	2
3	100SD0502	ASSEMBLY, SEVERE DUTY	1
- (DISCHARGE) -			
3	SDR03	RETAINER	7
3	SDS031	SPRING	6
3	SDL03	THREAD LOCK	5
3	SDI03	INSERT	4
3	SD03	VALVE, L/INSERT	3
3	1000302	SEAT	2
3	100SD0302	ASSEMBLY, SEVERE DUTY	1
- (SUCTION) -			
REQ'D	Part No.	DESCRIPTION	ITEM
BILL OF MATERIAL			

31

ALSO USED ON THE FOLLOWING MODLES:
 3364-1, 3364-2, 3364-3, 3364-4, 3364-HU, 3364-S,
 3364A-M.



HOUSTON, TEXAS, U.S.A.

ENGINEERING, TULSA, OKLAHOMA

TITLE:

ASSEMBLY, SEVERE DUTY VALVE (AR)

SUCTION & DISCHARGE

MODEL: 55T-3H, 55T-3MS, 55T-3M

DWG No.:

118668

SCALE:

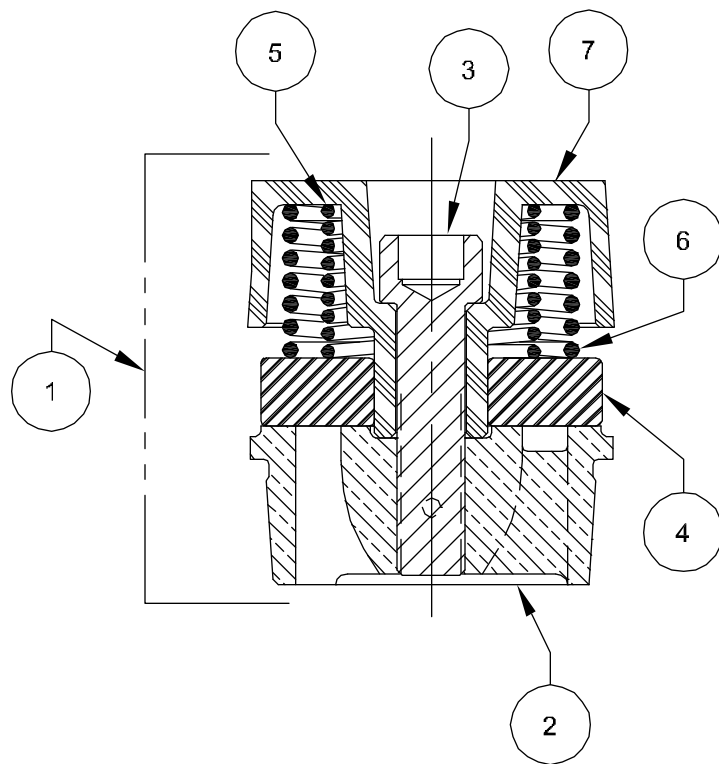
NONE

REV

A

SHT.:

1 OF 1



ALSO USED ON THE FOLLOWING PUMPS:

3364-5, 3364-6, 3364-7, 3364A-L, 3364-O, 3364A-O

1	SR01S	RETAINER	7
1	IS011	SPRING, OUTER	6
1	IS022	SPRING, INNER	5
1	TP05	DISC (TITANIUM)	4
1	38178M	FASTENER	3
1	0010502	SEAT (STAINLESS STEEL)	2
		(TITANIUM)	
1	001TP0502	ASSEMBLY, TI/CF8M DISC VALVE	1
REQ'D	Part No.	DESCRIPTION	ITEM
1	SR01S	RETAINER	7
1	IS011	SPRING, OUTER	6
1	IS022	SPRING, INNER	5
1	DP05	DISC (DELRIN)	4
1	38178M	FASTENER	3
1	0010502	SEAT (STAINLESS STEEL)	2
		(DELRIN)	
1	001DP502	ASSEMBLY, DEL/CF8M DISC VALVE	1
REQ'D	Part No.	DESCRIPTION	ITEM

BILL OF MATERIAL

32



HOUSTON, TEXAS, U.S.A.

ENGINEERING, TULSA, OKLAHOMA

TITLE:

ASSEMBLY, DISC VALVE

SUCTION & DISCHARGE

MODEL: 55T-3SC, 55T-3LS, 55T-3L

DWG No.:

118670

SCALE:

NONE

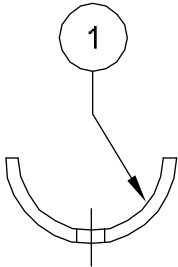
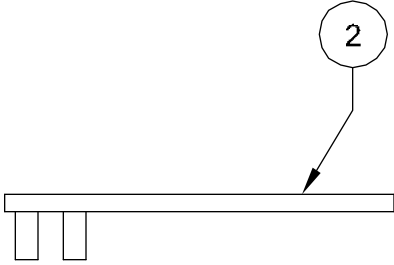
REV

A

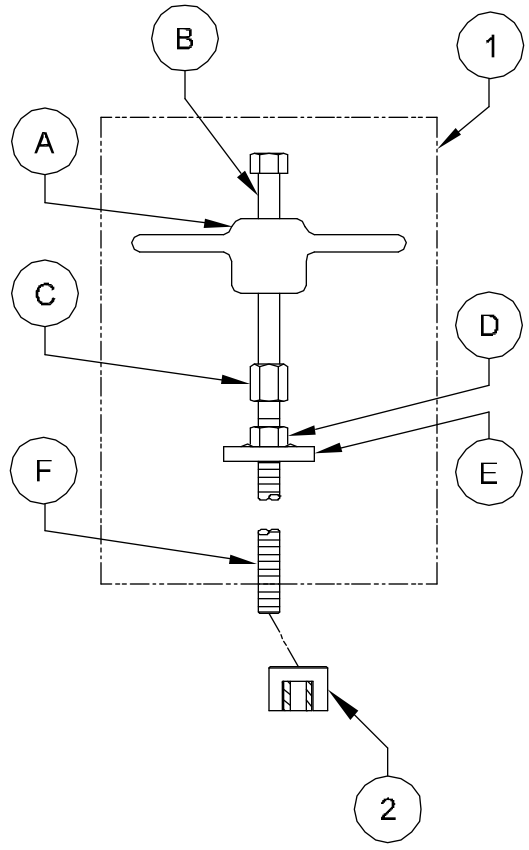
SHT.:

1 OF 1

1	GAS-103220-000	PUMP ROTATION WRENCH	2
1	GAS-104077-F05	POWER END PACKING REMOVAL TOOL	1
REQ'D	Part No.	DESCRIPTION	ITEM
BILL OF MATERIAL			



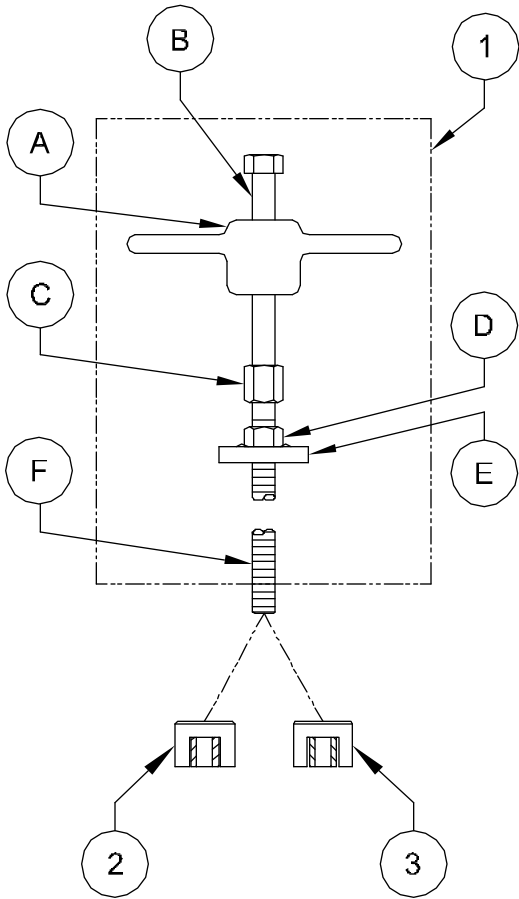
NOV NATIONAL OILWELL VARCO			
HOUSTON, TEXAS, U.S.A.		ENGINEERING, TULSA, OKLAHOMA	
TITLE: TOOL KIT POWER END MAINTENANCE MODEL: 55T-3, (3364)			
DWG No.:	118641	SCALE:	NONE
REV	A	SHT.:	1 OF 1



1	CAA-J50000-000	HEAD, PULLER	2
1	008-028546-005	PULLER STEM	F
1	008-028546-035	STRONG BACK	E
1	008-028546-013	HOLD DOWN NUT	D
1	008-028546-016	ADAPTER NUT	C
1	008-028546-002	BUMPER STEM	B
1	008-028546-001	BUMPER	A
1	C98-PA1805-000	ASSEMBLY, SUCTION & DISCHARGE VALVE SEAT PULLER (PLATE VALVE)	1
REQ'D	Part No.	DESCRIPTION	ITEM
BILL OF MATERIAL			

* ALSO FITS 3364-6, 3364-7, 3364A-L, 3364-O, AND 3364A-O

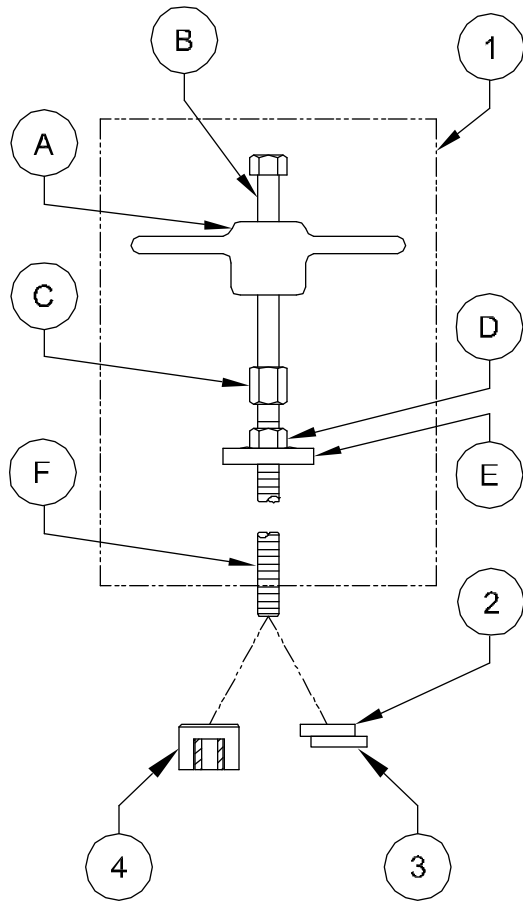
NOV NATIONAL OILWELL VARCO			
HOUSTON, TEXAS, U.S.A.		ENGINEERING, TULSA, OKLAHOMA	
TITLE:			
TOOL KIT, LARGE SUCTION PLATE TYPE VALVE SEAT PULLER *MODEL: 55T-3SC, 55T-3LS, 55T-3L, 3364-5			
DWG No.:	118904	SCALE:	NONE
REV	A	SHT.:	1 OF 1



1	CAA-J50000-000	HEAD, PULLER	3
1	008-028546-005	PULLER STEM	F
1	008-028546-035	STRONG BACK	E
1	008-028546-013	HOLD DOWN NUT	D
1	008-028546-016	ADAPTER NUT	C
1	008-028546-002	BUMPER STEM	B
1	008-028546-001	BUMPER	A
1	C98-PA1805-000	ASSEMBLY, DISCHARGE VALVE SEAT PULLER (PLATE VALVE)	1
1	CAA-J30000-000	HEAD, PULLER	2
1	008-028546-005	PULLER STEM	F
1	008-028546-035	STRONG BACK	E
1	008-028546-013	HOLD DOWN NUT	D
1	008-028546-016	ADAPTER NUT	C
1	008-028546-002	BUMPER STEM	B
1	008-028546-001	BUMPER	A
1	C98-PA1803-000	ASSEMBLY, SUCTION VALVE SEAT PULLER (PLATE VALVE)	1
REQ'D	Part No.	DESCRIPTION	ITEM
BILL OF MATERIAL			

* ALSO FITS 3364-3, 3364-2, 3364-1,
3364A-M, 3364A-S, 3364-S, 3364-HU.

NOV NATIONAL OILWELL VARCO			
HOUSTON, TEXAS, U.S.A.		ENGINEERING, TULSA, OKLAHOMA	
TITLE:			
TOOL KIT, SMALL SUCTION PLATE TYPE VALVE SEAT PULLER *MODEL: 55T-3M, 55T-3MS, 55T-3H, 3364-4			
DWG No.:	118903	SCALE:	NONE
REV	A	SH1.:	1 OF 1



* ALSO FITS 3364-3, 3364-2, 3364-1,
3364A-M, 3364A-S, 3364-S, 3364-HU.

1	008-028546-043	CAGE TOOL	4
1	008-028546-028	PULLER GUIDE	3
1	008-028546-020	ECCENTRIC, PULLER	2
1	008-028546-005	PULLER STEM	F
1	008-028546-035	STRONG BACK	E
1	008-028546-013	HOLD DOWN NUT	D
1	008-028546-016	ADAPTER NUT	C
1	008-028546-002	BUMPER STEM	B
1	008-028546-001	BUMPER	A
1	C98-PA18F0-000	ASSEMBLY, DISCHARGE VALVE SEAT PULLER (SEVERE DUTY)	1
1	008-028546-043	CAGE TOOL	4
1	008-028546-025	PULLER GUIDE	3
1	008-028546-018	ECCENTRIC, PULLER	2
1	008-028546-005	PULLER STEM	F
1	008-028546-035	STRONG BACK	E
1	008-028546-013	HOLD DOWN NUT	D
1	008-028546-016	ADAPTER NUT	C
1	008-028546-002	BUMPER STEM	B
1	008-028546-001	BUMPER	A
1	C98-PA18D0-000	ASSEMBLY, SUCTION VALVE SEAT PULLER (SEVERE DUTY)	1
REQ'D	Part No.	DESCRIPTION	ITEM
BILL OF MATERIAL			

36

NOV NATIONAL OILWELL VARCO

HOUSTON, TEXAS, U.S.A.

ENGINEERING, TULSA, OKLAHOMA

TITLE:

TOOL KIT, SMALL SUCTION
SEVERE DUTY VALVE SEAT PULLER
*MODEL: 55T-3M, 55T-3MS, 55T-3H, 3364-4

DWG No.:

118905

SCALE:

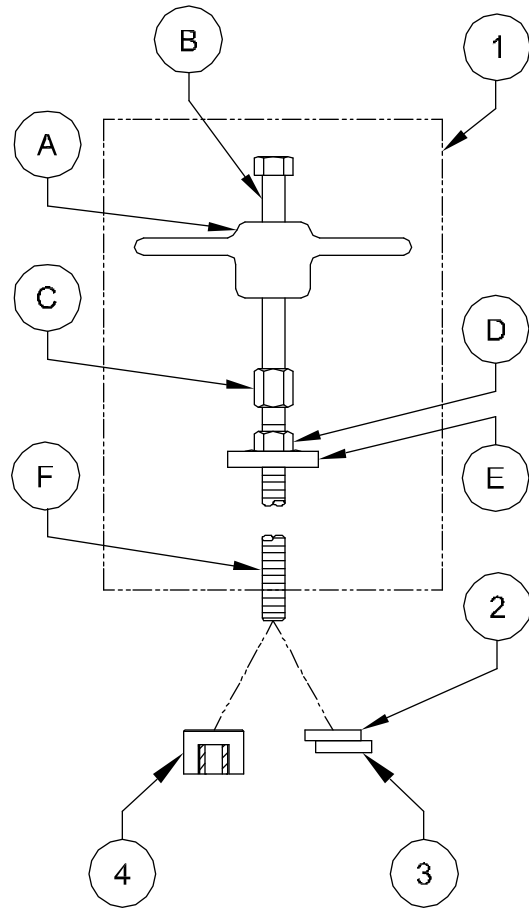
NONE

REV

A

SHT.:

1 OF 1

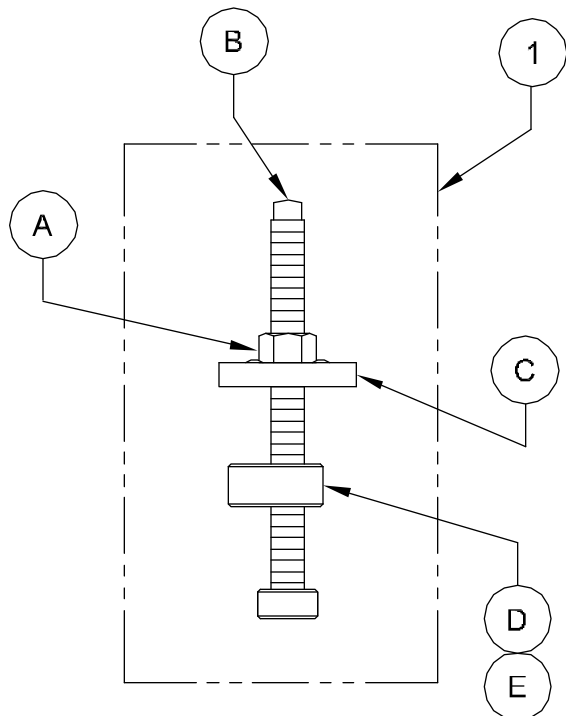


1	008-028546-043	CAGE TOOL	4
1	008-028546-028	PULLER GUIDE	3
1	008-028546-020	ECCENTRIC, PULLER	2
1	008-028546-005	PULLER STEM	F
1	008-028546-035	STRONG BACK	E
1	008-028546-013	HOLD DOWN NUT	D
1	008-028546-016	ADAPTER NUT	C
1	008-028546-002	BUMPER STEM	B
1	008-028546-001	BUMPER	A
1	C98-PA18F0-000	ASSEMBLY, SUC & DISCH VALVE SEAT PULLER (SEVERE DUTY)	1
REQ'D	Part No.	DESCRIPTION	ITEM
BILL OF MATERIAL			

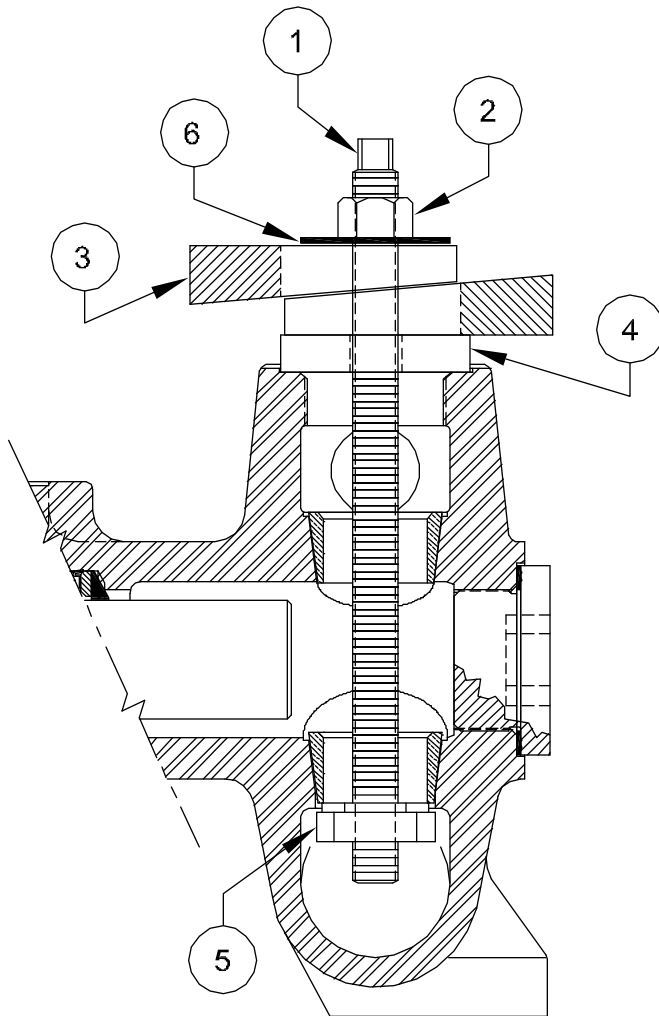
* ALSO FITS 3364-6, 3364-7, 3364A-L,
3364-O, AND 3364A-O

NOV NATIONAL OILWELL VARCO			
HOUSTON, TEXAS, U.S.A.		ENGINEERING, TULSA, OKLAHOMA	
TITLE: TOOL KIT, LARGE SUCTION SEVERE DUTY VALVE SEAT PULLER *MODEL: 55T-3SC, 55T-3LS, 55T-3L, 3364-5			
DWG No.:	118906	SCALE:	NONE
REV	A	SHT.:	1 OF 1

1	GAS-104853-000	PILOT PLATE, WING GUIDE (SUCTION)	E
1	GAS-104852-B03	PILOT PLATE, WING GUIDE (DISCHARGE)	D
1	GAS-104851-B12	PULLER PLATE/STRONG BACK	C
1	GAS-104854-000	PULLER BOLT	B
1	GAS-103902-000	NUT	A
1	GAS-104855-000	ASSEMBLY, WING GUIDED VALVE SEAT PULLER	1
REQ'D	Part No.	DESCRIPTION	ITEM
BILL OF MATERIAL			



 NATIONAL OILWELL VARCO			
HOUSTON, TEXAS, U.S.A.		ENGINEERING, TULSA, OKLAHOMA	
TITLE: TOOL KIT, LARGE AND SMALL WING GUIDED VALVE SEAT PULLER MODEL: 55T-3 SERIES, (3364 SERIES)			
DWG No.: 118907	SCALE: NONE	REV A	SHT.: 1 OF 1



1	GAS-105434-000	FLAT WASHER	AB	6
1	AAB-112630-275	PULLER PLATE		5
1	GAS-112629-C05	TOP PLATE		4
2	GAS-112628-B03	WEDGE PLATE		3
1	133-034010-286	HEAVY HEX NUT		2
1	GAS-112627-B11	PULLER BOLT		1
1	GAS-105434-000	FLAT WASHER	AA	6
1	ABB-112630-275	PULLER PLATE		5
1	GAS-112629-C05	TOP PLATE		4
2	GAS-112628-B03	WEDGE PLATE		3
1	133-034010-286	HEAVY HEX NUT		2
1	GAS-112627-B11	PULLER BOLT		1
REQ'D	Part No.	DESCRIPTION	OPTION	ITEM
BILL OF MATERIAL				

OPERATING PROCEDURE

DISCHARGE VALVE SEAT REMOVAL

1. REMOVE VALVE COVER AND CYLINDER HEAD.
2. REMOVE VALVE SPRING AND VALVE BODY (SUCTION AND DISCHARGE).
3. INSTALL ITEM #5 THROUGH PLUNGER OPENING AND CAREFULLY SCREW IN ITEM #1 TO ITEM #5. MAKE SURE ITEM #5 IS IN PROPER POSITION.
4. INSTALL ITEM #4, #3, #6 AND #2.
5. TORQUE ITEM #2 TO 240 FT. lbs.
6. IF VALVE SEAT IS STILL IN VALVE DECK, USE HAMMER TO HIT ITEM #3 AT INDICATED SURFACE TO CREATE IMPACT FORCES.
7. REMOVE VALVE SEAT FROM VALVE DECK.

DISCHARGE VALVE SEAT REMOVAL

1. REMOVE SUCTION PIPING FOR EASE OF INSTALLATION OF ITEM #5.
2. REPEAT STEPS 4 THRU 7 ABOVE TO REMOVE SUCTION VALVE SEAT.

39

NOV NATIONAL OILWELL VARCO

HOUSTON, TEXAS, U.S.A.

ENGINEERING, TULSA, OKLAHOMA

TITLE:

**WEDGE TYPE VALVE PULLER
FOR WING GUIDED VALVES
55T-5SC (3364-5)**

DWG No.:

118880

SCALE:

NONE

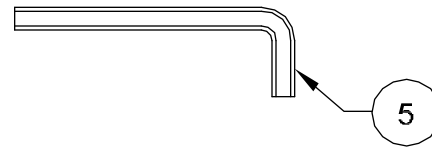
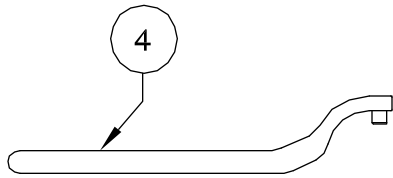
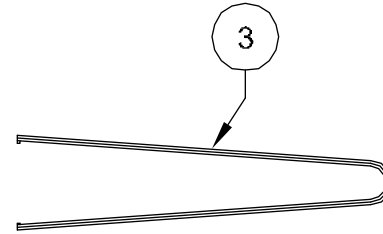
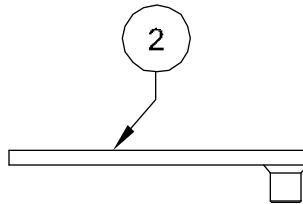
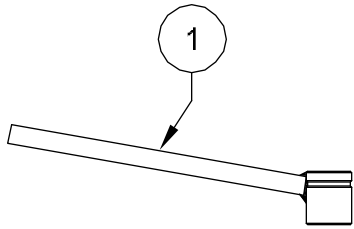
REV

A

SHT.:

1 OF 1

1	GAS-103630-000	HEX WRENCH, (PACKING GLAND ADAPTER CAP SCREW)	5
1	GAS-103368-000	SPANNER WRENCH, (SCREW TYPE GLAND)	4
1	GAS-104918-000	TWEEZER, (VALVE PLATE REMOVAL)	3
1	GAS-103027-000	HEX WRENCH (THREADED VALVE COVER & CYLINDER HEAD COVER)	2
1	GAS-103126-000	SOCKET WRENCH, (PACKING GLAND STUD NUT)	1
REQ'D	Part No.	DESCRIPTION	ITEM
BILL OF MATERIAL			



40

NOV NATIONAL OILWELL VARCO

HOUSTON, TEXAS, U.S.A.

ENGINEERING, TULSA, OKLAHOMA

TITLE:

**TOOL KIT
GENERAL FLUID END MAINTENANCE
MODEL: 55T-3 (3364)**

DWG No.:

118642

SCALE:

NONE

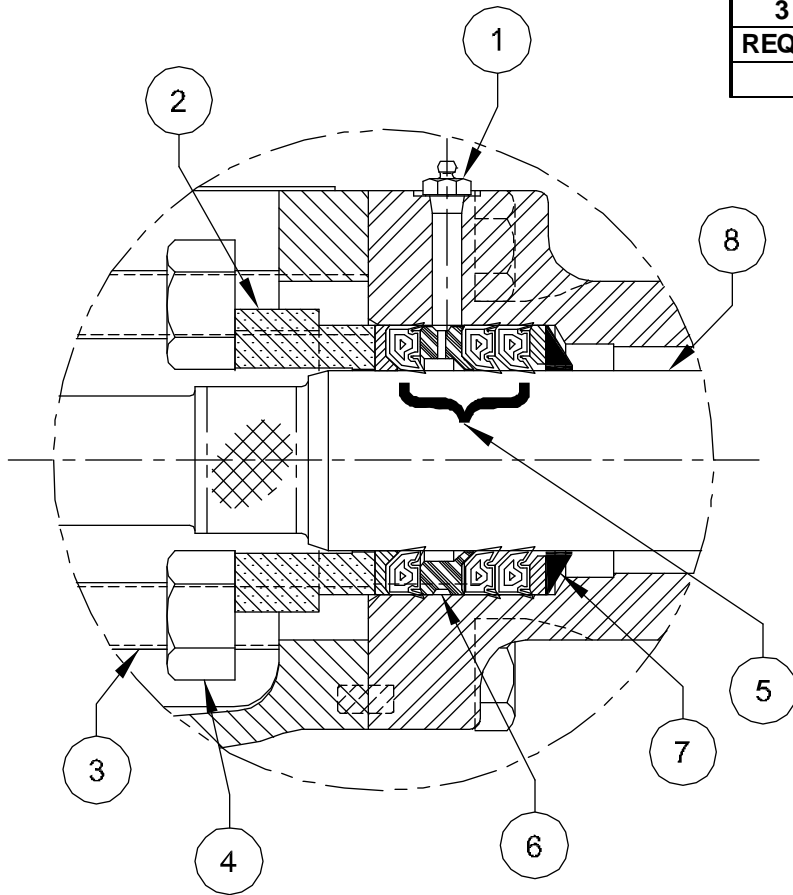
REV

A

SHT.:

1 OF 1

3	GAS-107440-G14	BAFFLE DISC - (NOT SHOWN)	9
3	SEE PLUNGER DWG'S	PLUNGER	8
3	AWB-102782-351	BOTTOM RING (DUCTILE IRON)	
3	AWB-102782-302	BOTTOM RING (BRONZE)	7
3	GAS-106796-000	LANTERN RING (DUCTILE IRON)	
3	GAS-103018-000	LANTERN RING (BRONZE)	6
3	GAS-102954-000	PACKING SET (J-STYLE)	5
6	GAS-103900-000	HEAVY HEX NUT (SELF LOCKING)	4
6	GAS-104241-000	STUD (STEEL)	
6	GAS-104240-000	STUD (STAINLESS STEEL)	3
3	GAS-103064-A02	PACKING GLAND (DUCTILE IRON) 2-1/2" PLUNGER	
3	GAS-103051-A03	PACKING GLAND (BRONZE) 2-1/2" PLUNGER	2
3	180-165000-220	LUBE FITTING (IF USED)	1
REQ'D	Part No.	DESCRIPTION	ITEM
BILL OF MATERIAL			



NOV NATIONAL OILWELL VARCO

HOUSTON, TEXAS, U.S.A.

ENGINEERING, TULSA, OKLAHOMA

TITLE:

**ASSEMBLY, 2-1/2" PLUNGER KIT
BOLT-ON TYPE PACKING GLAND
55T-3L, 55T-3LS (3364-7,3364-6,3364A-O,3364-O)**

DWG No.:

118706

SCALE:

NONE

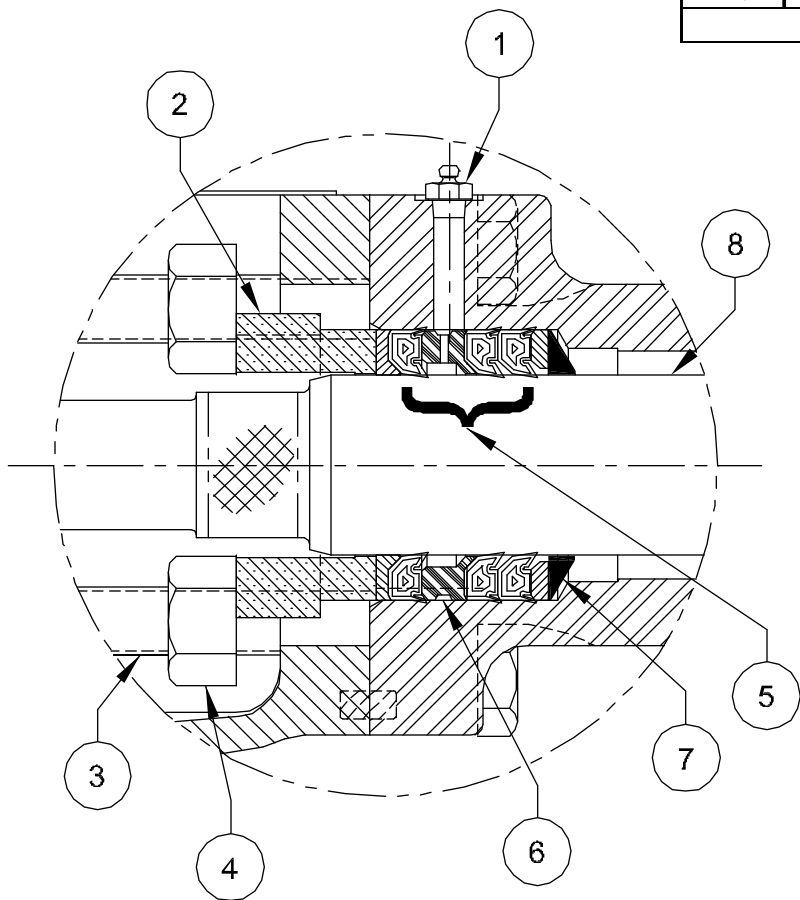
REV

A

SHT.:

1 of 1

3	GAS-107440-G14	BAFFLE DISC - (NOT SHOWN)	9
3	SEE PLUNGER DWG'S	PLUNGER	8
3	AUB-102782-235	BOTTOM RING (STEEL)	
3	AUB-102782-302	BOTTOM RING (BRONZE)	7
3	GAS-103020-A02	LANTERN RING (DUCTILE IRON)	
3	GAS-103017-B24	LANTERN RING (BRONZE)	6
3	GAS-102953-000	PACKING SET (J-STYLE)	5
6	GAS-103900-000	HEAVY HEX NUT (SELF LOCKING)	4
6	GAS-104241-000	STUD (STEEL)	
6	GAS-104240-000	STUD (STAINLESS STEEL)	3
3	GAS-103063-A02	PACKING GLAND (DUCTILE IRON) 2-1/4" PLUNGER	
3	GAS-103050-A03	PACKING GLAND (BRONZE) 2-1/4" PLUNGER	2
3	180-165000-220	LUBE FITTING (IF USED)	1
REQ'D	Part No.	DESCRIPTION	ITEM
BILL OF MATERIAL			



* ALSO FITS 3364A-O, 3364A-L, 3364A-M, & 3364-O



HOUSTON, TEXAS, U.S.A. ENGINEERING, TULSA, OKLAHOMA

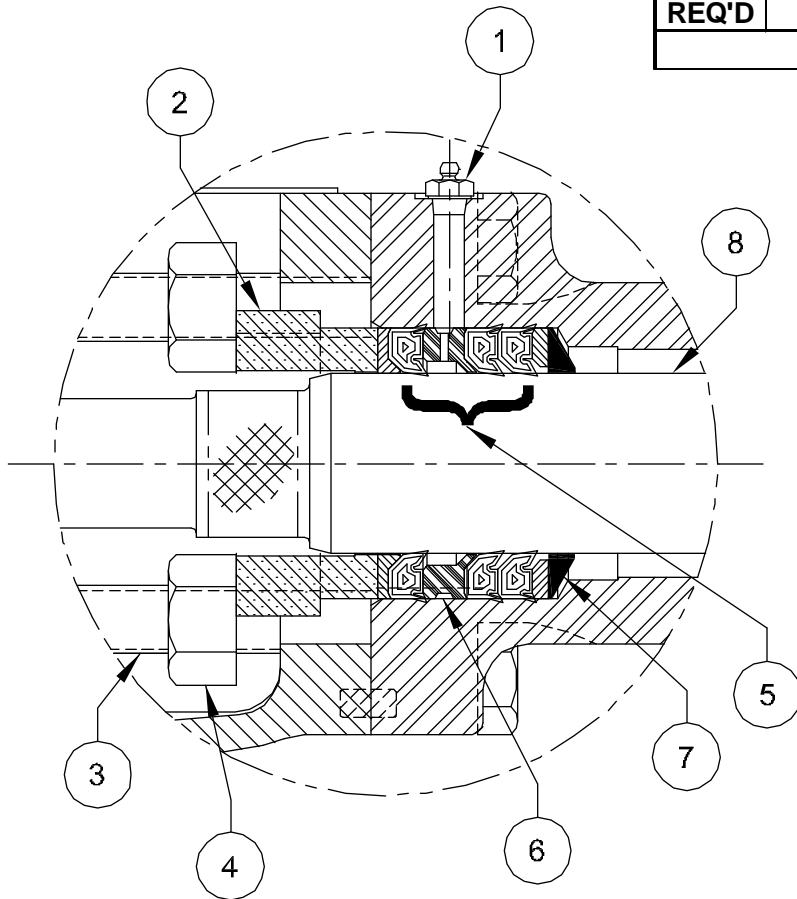
TITLE:

**ASSEMBLY, 2-1/4" PLUNGER KIT
BOLT-ON TYPE PACKING GLAND**

***55T-3L, 55T-3LS (3364-7,3364-6,3364-5,3364-4)**

DWG No.:	118705	SCALE:	NONE	REV	A	SHT.:	1 OF 1
----------	--------	--------	------	-----	---	-------	--------

3	GAS-107440-G14	BAFFLE DISC - (NOT SHOWN)	9
3	SEE PLUNGER DWG'S	PLUNGER	8
3	ARB-102782-235	BOTTOM RING (STEEL)	
3	ARB-102782-302	BOTTOM RING (BRONZE)	7
3	GAS-106795-A02	LANTERN RING (DUCTILE IRON)	
3	GAS-103015-B24	LANTERN RING (BRONZE)	6
3	GAS-102951-000	PACKING SET (J-STYLE)	5
6	GAS-103900-000	HEAVY HEX NUT (SELF LOCKING)	4
6	GAS-104241-000	STUD (STEEL)	
6	GAS-104240-000	STUD (STAINLESS STEEL)	3
3	GAS-103061-A02	PACKING GLAND (DUCTILE IRON) 2" PLUNGER	
3	GAS-13048-A03	PACKING GLAND (BRONZE) 2" PLUNGER	2
3	180-165000-220	LUBE FITTING (IF USED)	1
REQ'D	Part No.	DESCRIPTION	ITEM
BILL OF MATERIAL			



*ALSO FITS 3364A-O, 3364A-L, 3364A-M, & 3364-O

NOV NATIONAL OILWELL VARCO

HOUSTON, TEXAS, U.S.A.

ENGINEERING, TULSA, OKLAHOMA

TITLE:

ASSEMBLY, 2" PLUNGER KIT
BOLT-ON TYPE PACKING GLAND

*55T-3L, 55T-3LS (3364-7,3364-6,3364-5,3364-4)

DWG No.:

118714

SCALE:

NONE

REV

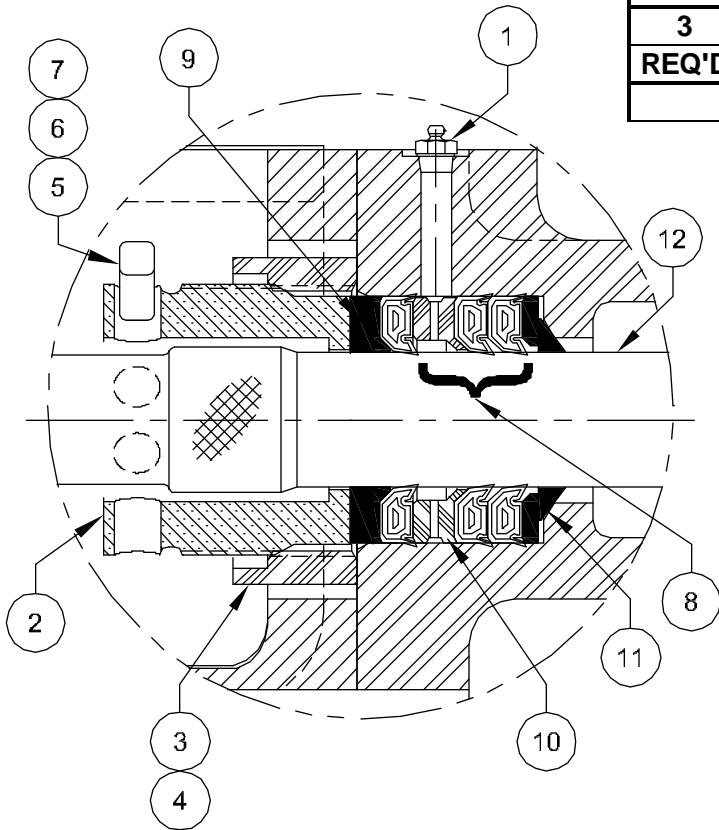
A

SHT.:

1 OF 1

3	GAS-107440-G14	BAFFLE DISC - (NOT SHOWN)	13
3	SEE PLUNGER DWG'S	PLUNGER	12
3	ARB-102782-235	BOTTOM RING (STEEL)	
3	ARB-102782-302	BOTTOM RING (BRONZE)	11
3	GAS-106795-A02	LANTERN RING (DUCTILE IRON)	
3	GAS-103015-B24	LANTERN RING (BRONZE)	10
3	DYC-103259-351	FOLLOWER RING (DUCTILE IRON)	
3	DYC-103259-302	FOLLOWER RING (BRONZE)	9
3	GAS-102951-000	PACKING SET (J-STYLE)	8
3	GAS-103895-000	HEX HEX NUT (SELF LOCKING)	7
3	GAS-103681-000	GLAND LOCK (OPTIONAL)	6
3	105-038200-290	SOCKET HEAD CAP SCREW	5
6	105-034134-290	SOCKET HEAD CAP SCREW	4
3	GAS-101156-C05	ADAPTER, PACKING GLAND (STEEL)	
3	GAS-101154-A03	ADAPTER, PACKING GLAND (BRONZE)	3
3	GAS-101170-A02	PACKING GLAND (DUCTILE IRON) 2" PLUNGER	
3	GAS-101169-A03	PACKING GLAND (BRONZE) 2" PLUNGER	2
3	180-165000-220	LUBE FITTING (IF USED)	1
REQ'D	Part No.	DESCRIPTION	ITEM

BILL OF MATERIAL



*ALSO FITS 3364A-O, 3364A-L, 3364A-M, & 3364-O

NOV NATIONAL OILWELL VARCO

HOUSTON, TEXAS, U.S.A.

ENGINEERING, TULSA, OKLAHOMA

TITLE:

**ASSEMBLY, 2" PLUNGER KIT
SCREW TYPE PACKING GLAND**

*55T-3L, 55T-3LS (3364-7,3364-6,3364-5,3364-4)

DWG No.:

118718

SCALE:

NONE

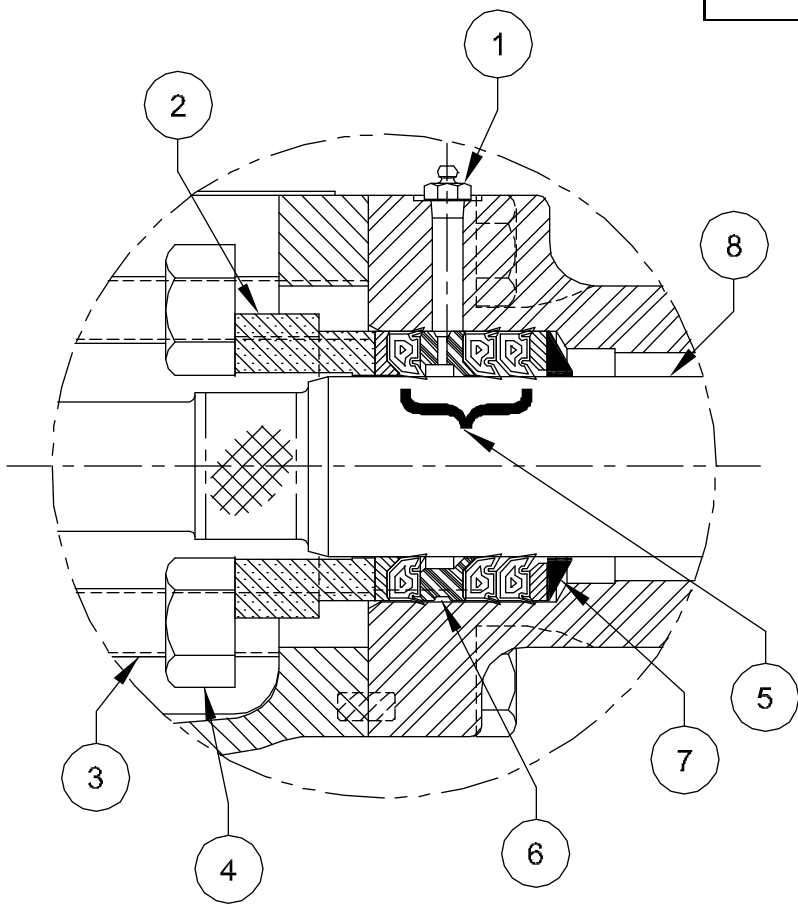
REV

A

SHT.:

1 OF 1

3	GAS-107440-G14	BAFFLE DISC - (NOT SHOWN)	9
3	SEE PLUNGER DWG'S	PLUNGER	8
3	APB-102782-235	BOTTOM RING (STEEL)	
3	APB-102782-302	BOTTOM RING (BRONZE)	7
3	GAS-103019-A02	LANTERN RING (DUCTILE IRON)	
3	GAS-103013-B24	LANTERN RING (BRONZE)	6
3	GAS-102949-000	PACKING SET (J-STYLE)	5
6	GAS-103900-000	HEX NUT (SELF LOCKING)	4
6	GAS-104241-000	STUD (STEEL)	
6	GAS-104240-000	STUD (STAINLESS STEEL)	3
3	GAS-103059-A02	PACKING GLAND (DUCTILE IRON) 1-3/4" PLUNGER	
3	GAS-103046-A03	PACKING GLAND (BRONZE) 1-3/4" PLUNGER	2
3	180-165000-220	LUBE FITTING (IF USED)	1
REQ'D	Part No.	DESCRIPTION	ITEM
BILL OF MATERIAL			



*ALSO FITS 3364-O, 3364A-L, & 3364A-M



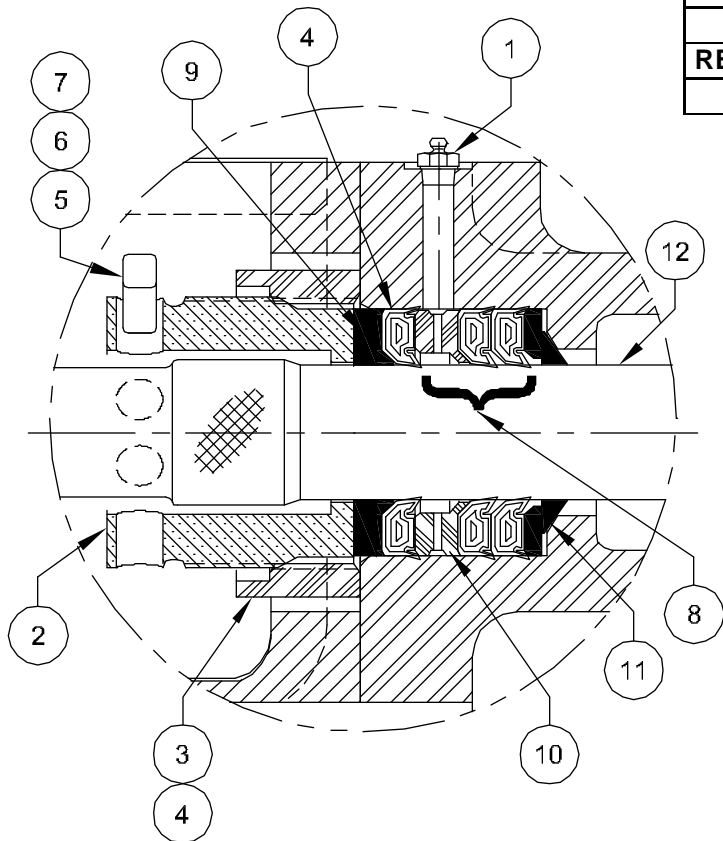
HOUSTON, TEXAS, U.S.A. ENGINEERING, TULSA, OKLAHOMA

TITLE:
ASSEMBLY, 1-3/4" PLUNGER KIT
BOLT-ON TYPE PACKING GLAND
***55T-3LS (3364-6, 3364-5, 3364-4)**

DWG No.:	118699	SCALE:	NONE	REV	A	SHT.:	1 OF 1
----------	--------	--------	------	-----	---	-------	--------

3	GAS-107440-G14	BAFFLE DISC - (NOT SHOWN)	13
3	SEE PLUNGER DWG'S	PLUNGER	12
3	APB-102782-235	BOTTOM RING (STEEL)	
3	APB-102782-302	BOTTOM RING (BRONZE)	11
3	GAS-103019-A02	LANTERN RING (DUCTILE IRON)	
3	GAS-103013-B24	LANTERN RING (BRONZE)	10
3	DHC-103259-351	FOLLOWER RING (DUCTILE IRON)	
3	DJC-103259-302	FOLLOWER RING (BRONZE)	9
3	GAS-102949-000	PACKING SET (J-STYLE)	8
3	GAS-103895-000	HEX HEX NUT (SELF LOCKING)	7
3	GAS-103681-000	GLAND LOCK (OPTIONAL)	6
3	105-038200-290	SOCKET HEAD CAP SCREW	5
6	105-034134-290	SOCKET HEAD CAP SCREW	4
3	GAS-101156-C05	ADAPTER, PACKING GLAND (STEEL)	
3	GAS-101154-A03	ADAPTER, PACKING GLAND (BRONZE)	3
3	GAS-101158-000	PACKING GLAND (DUCTILE IRON) 1-3/4" PLUNGER	
3	GAS-101157-000	PACKING GLAND (BRONZE) 1-3/4" PLUNGER	2
3	180-165000-220	LUBE FITTING (IF USED)	1
REQ'D	Part No.	DESCRIPTION	ITEM

BILL OF MATERIAL



*ALSO FITS 3364-O, 3364A-L, 3364A-M

NOV NATIONAL OILWELL VARCO

HOUSTON, TEXAS, U.S.A.

ENGINEERING, TULSA, OKLAHOMA

TITLE:

**ASSEMBLY, 1-3/4" PLUNGER KIT
SCREW TYPE PACKING GLAND
*55T-3LS (3364-6,3364-5,3364-4)**

DWG No.:

118672

SCALE:

NONE

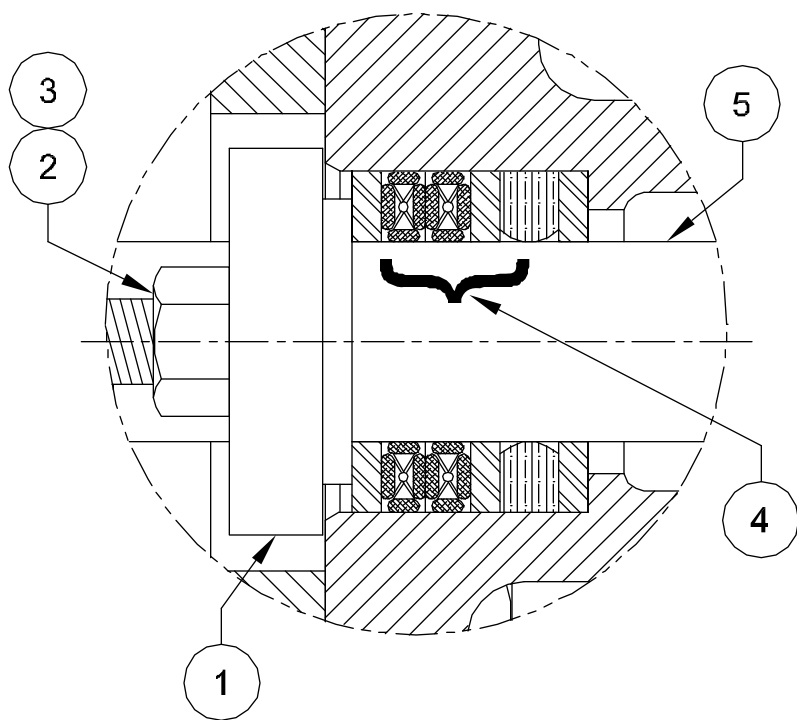
REV

A

SHT.:

1 OF 1

3	SEE PLUNGER DWG'S	PLUNGER	5
3	AAC-115177-999	PACKING SET (242 - STYLE)	4
6	GAS-103900-000	HEX NUT (SELF LOCKING)	3
6	GAS-105240-000	STUD	2
3	ABB-115178-351	PACKING GLAND, (DUCTILE IRON) 2-1/4	1
REQ'D	Part No.	DESCRIPTION	ITEM
BILL OF MATERIAL			



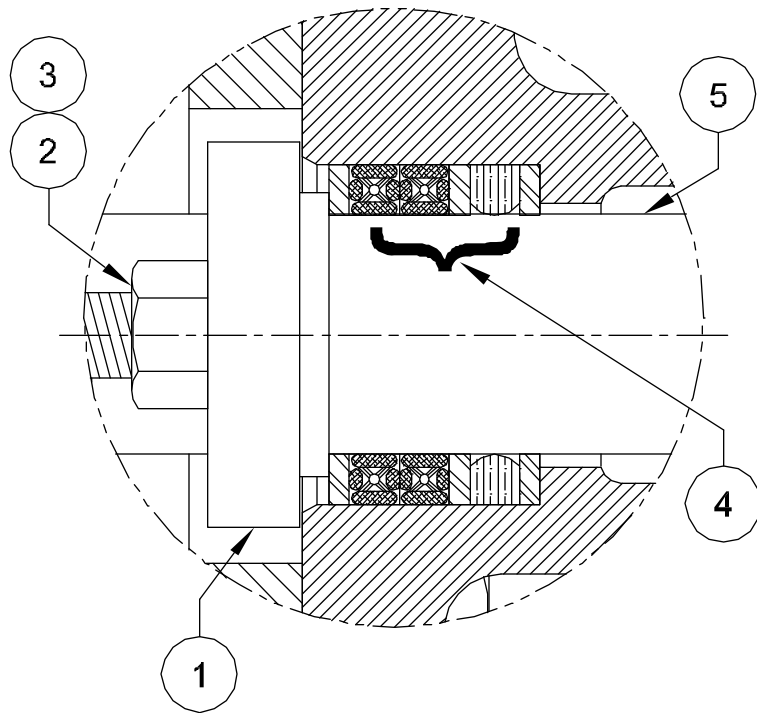
NOV NATIONAL OILWELL VARCO

HOUSTON, TEXAS, U.S.A. ENGINEERING, TULSA, OKLAHOMA

TITLE:
ASSEMBLY, 2-1/4"
BOLT-ON TYPE PACKING GLAND
55T-3SC (3364-5SC) ONLY

DWG No.:	118652	SCALE:	NONE	REV	A	SHT.:	1	OF	1
----------	--------	--------	------	-----	---	-------	---	----	---

3	SEE PLUNGER DWG'S	PLUNGER	5
3	AAC-115610-999	PACKING SET (242 - STYLE)	4
6	GAS-103900-000	HEX NUT (SELF LOCKING)	3
6	GAS-105240-000	STUD	2
3	ACB-115178-351	PACKING GLAND, (DUCTILE IRON) 2"	1
REQ'D	Part No.	DESCRIPTION	ITEM
BILL OF MATERIAL			



48

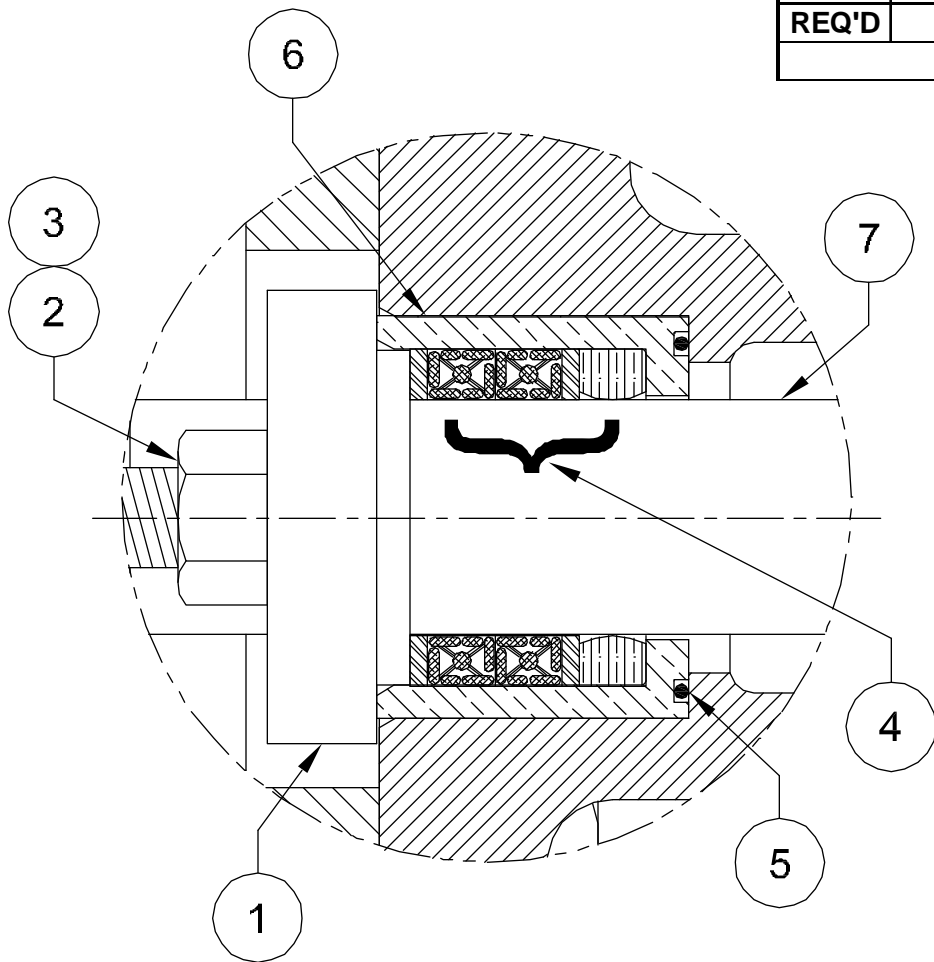


HOUSTON, TEXAS, U.S.A. ENGINEERING, TULSA, OKLAHOMA

TITLE:
ASSEMBLY, 2"
BOLT-ON TYPE PACKING GLAND
55T-3SC (3364-5SC) ONLY

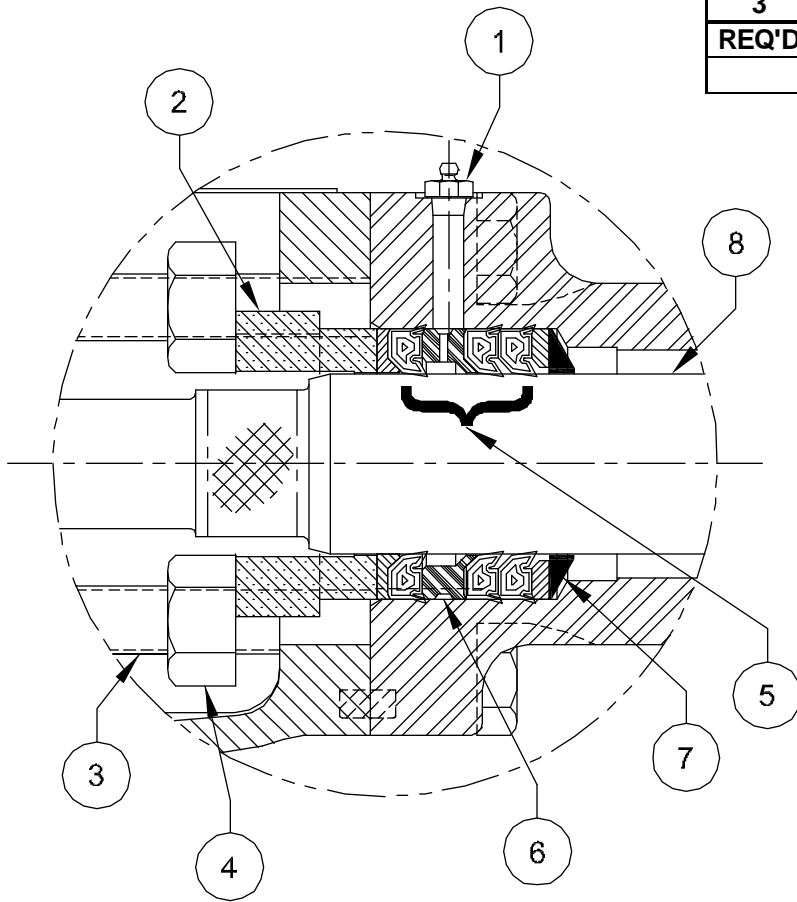
DWG No.:	118654	SCALE:	NONE	REV	A	SHT.:	1 OF 1
----------	--------	--------	------	-----	---	-------	--------

3	SEE PLUNGER DWG'S	PLUNGER	7
3	AAB-114893-278	STUFFING BOX SLEEVE	6
3	110-000230-200	O-RING	5
3	AAC-115175-999	PACKING SET (242-STYLE)	4
6	GAS-103900-000	HEX NUT (SELF LOCKING)	3
6	GAS-105240-000	STUD	2
3	AAB-115178-351	PACKING GLAND, (DUCTILE IRON) 1-3/4"	1
REQ'D	Part No.	DESCRIPTION	ITEM
BILL OF MATERIAL			



NOV NATIONAL OILWELL VARCO			
HOUSTON, TEXAS, U.S.A.		ENGINEERING, TULSA, OKLAHOMA	
TITLE: ASSEMBLY, 1-3/4" BOLT-ON TYPE PACKING GLAND 55T-3SC (3364-5SC) ONLY			
DWG No.:	SCALE:	REV	SHT.:
118651	NONE	A	1 OF 1

3	GAS-107440-G14	BAFFLE DISC - (NOT SHOWN)	9
3	SEE PLUNGER DWG'S	PLUNGER	8
3	ANB-102782-351	BOTTOM RING (DUCTILE IRON)	
3	ANB-102782-302	BOTTOM RING (BRONZE)	7
3	AEB-103011-235	LANTERN RING (STEEL)	
3	GAS-103012-B24	LANTERN RING (BRONZE)	6
3	GAS-102948-000	PACKING SET (J-STYLE)	5
6	GAS-103900-000	HEAVY HEX NUT (SELF LOCKING)	4
6	GAS-104241-000	STUD (STEEL)	
6	GAS-104240-000	STUD (STAINLESS STEEL)	3
3	GAS-103058-A02	PACKING GLAND (DUCTILE IRON) 1-3/4" PLUNGER	
3	GAS-103045-A03	PACKING GLAND (BRONZE) 1-3/4" PLUNGER	2
3	180-165000-220	LUBE FITTING (IF USED)	1
REQ'D	Part No.	DESCRIPTION	ITEM
BILL OF MATERIAL			



*ALSO FITS 3364A-S & 3364-S



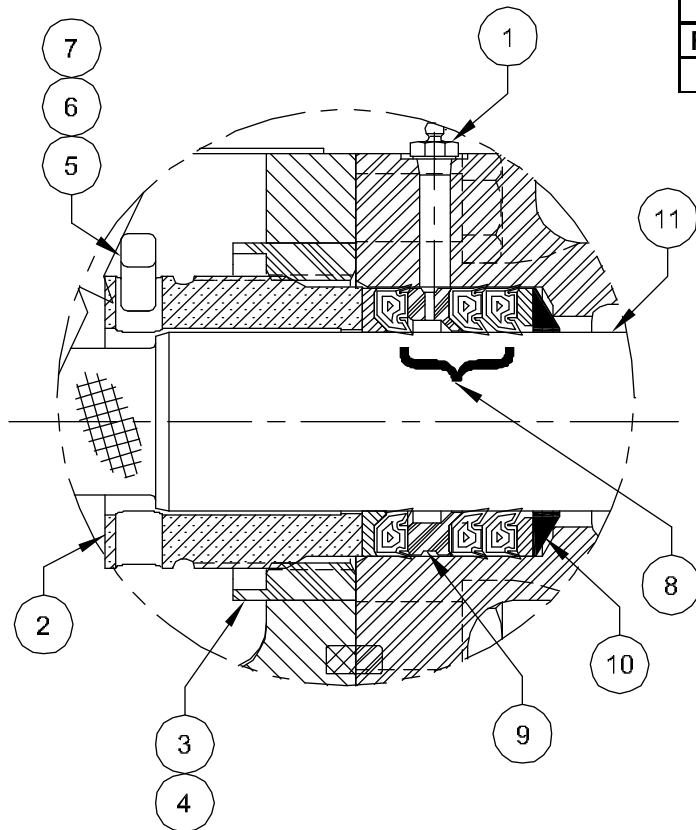
HOUSTON, TEXAS, U.S.A. ENGINEERING. TULSA, OKLAHOMA

TITLE:
**ASSEMBLY, 1-3/4" PLUNGER KIT
 BOLT-ON TYPE PACKING GLAND
 55T-3M, 55T-3MS (3364-2, 3364-3)**

DWG No.:	118710	SCALE:	NONE	REV:	A	SHT.:	1 OF 1
----------	--------	--------	------	------	---	-------	--------

3	GAS-107440-G14	BAFFLE DISC - (NOT SHOWN)	13
3	SEE PLUNGER DWG'S	PLUNGER	11
3	ANB-102782-351	BOTTOM RING (DUCTILE IRON)	
3	ANB-102782-302	BOTTOM RING (BRONZE)	10
3	AEB-103011-235	LANTERN RING (STEEL)	
3	GAS-103012-B24	LANTERN RING (BRONZE)	9
3	GAS-102948-000	PACKING SET (J-STYLE)	8
3	GAS-103895-000	HEX HEX NUT (SELF LOCKING)	7
3	GAS-103681-000	GLAND LOCK (OPTIONAL)	6
3	105-038200-290	SOCKET HEAD CAP SCREW	5
6	105-034134-290	SOCKET HEAD CAP SCREW	4
3	GAS-101156-C05	ADAPTER, PACKING GLAND (STEEL)	
3	GAS-101154-A03	ADAPTER, PACKING GLAND (BRONZE)	3
3	GAS-101167-A02	PACKING GLAND (DUCTILE IRON) 1-3/4" PLUNGER	
3	GAS-101166-A03	PACKING GLAND (BRONZE) 1-3/4" PLUNGER	2
3	180-165000-220	LUBE FITTING (IF USED)	1
REQ'D	Part No.	DESCRIPTION	ITEM

BILL OF MATERIAL



*ALSO FITS 3364A-S, 3364-S

NOV NATIONAL OILWELL VARCO

HOUSTON, TEXAS, U.S.A.

ENGINEERING, TULSA, OKLAHOMA

TITLE:

ASSEMBLY, 1-3/4" PLUNGER KIT
SCREW TYPE PACKING GLAND
*55T-3M, 55T-3MS (3364-3, 3364-4)

DWG No.:

118687

SCALE:

NONE

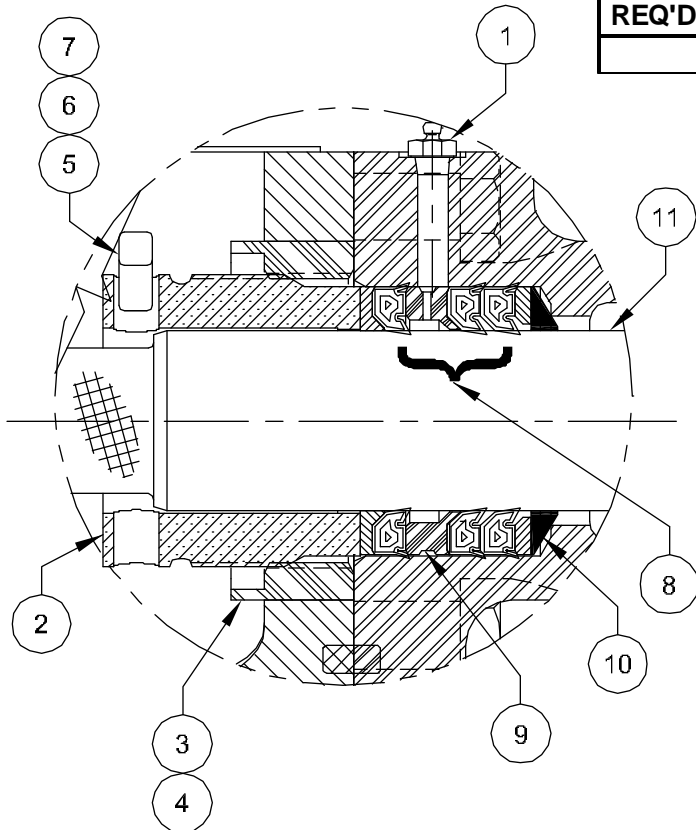
REV

A

SHT.:

1 OF 1

3	GAS-107440-G14	BAFFLE DISC - (NOT SHOWN)	12
3	SEE PLUNGER DWG'S	PLUNGER	11
3	AJB-102782-351	BOTTOM RING (DUCTILE IRON)	
3	AJB-102782-302	BOTTOM RING (BRONZE)	10
3	GAS-112632-000	LANTERN RING (DUCTILE IRON)	
3	GAS-103010-000	LANTERN RING (BRONZE)	9
3	GAS-102945-000	PACKING SET (J-STYLE)	8
3	GAS-103895-000	HEX HEX NUT (SELF LOCKING)	7
3	GAS-101163-A03	GLAND LOCK (OPTIONAL)	6
3	105-038200-290	SOCKET HEAD CAP SCREW	5
6	105-034134-290	SOCKET HEAD CAP SCREW	4
3	GAS-101156-C05	ADAPTER, PACKING GLAND (STEEL)	
3	GAS-101154-A03	ADAPTER, PACKING GLAND (BRONZE)	3
3	GAS-101164-A02	PACKING GLAND (DUCTILE IRON) 1-1/2" PLUNGER	
3	GAS-101163-A03	PACKING GLAND (BRONZE) 1-1/2" PLUNGER	2
3	180-165000-220	LUBE FITTING (IF USED)	1
REQ'D	Part No.	DESCRIPTION	ITEM
BILL OF MATERIAL			



*ALSO FITS 3364A-S & 3364-S

NOV NATIONAL OILWELL VARCO

HOUSTON, TEXAS, U.S.A.

ENGINEERING, TULSA, OKLAHOMA

TITLE:

ASSEMBLY, 1-1/2" PLUNGER KIT
 SCREW TYPE PACKING GLAND
 *55T-3M, 55T-3MS (3364-3, 3364-2)

DWG No.:

118686

SCALE:

NONE

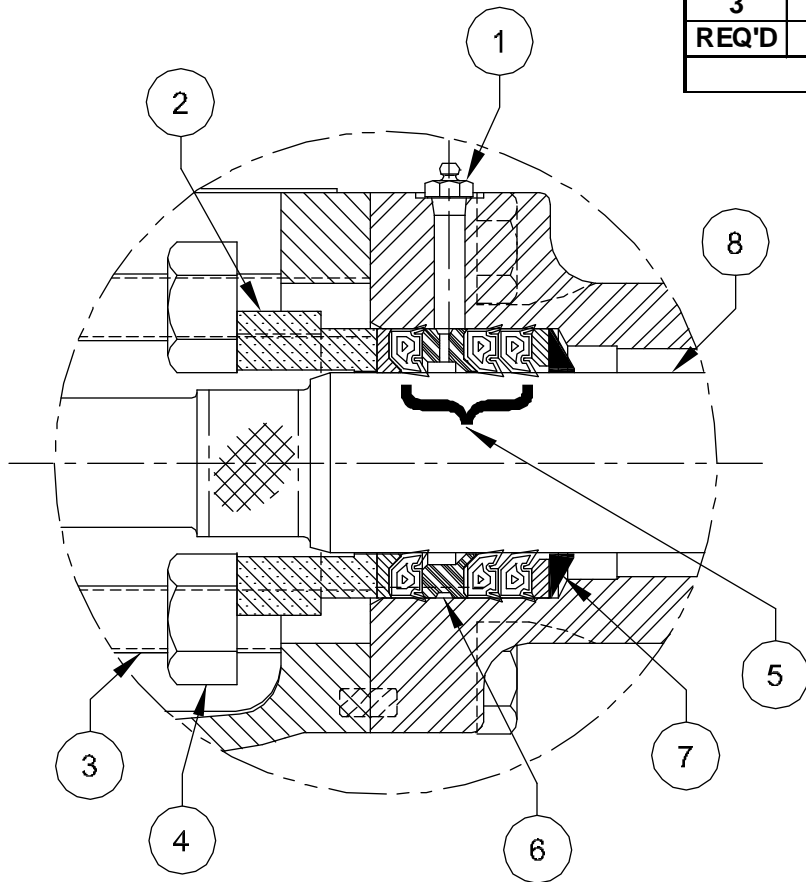
REV

A

SHT.:

1 OF 1

3	GAS-107440-G14	BAFFLE DISC - (NOT SHOWN)	9
3	SEE PLUNGER DWG'S	PLUNGER	8
3	AJB-102782-351	BOTTOM RING (STEEL)	
3	AJB-102782-302	BOTTOM RING (BRONZE)	7
3	GAS-112632-000	LANTERN RING (DUCTILE IRON)	
3	GAS-103010-000	LANTERN RING (BRONZE)	6
3	GAS-102945-000	PACKING SET (J-STYLE)	5
6	GAS-103900-000	HEX NUT (SELF LOCKING)	4
6	GAS-104241-000	STUD (STEEL)	
6	GAS-104240-000	STUD (STAINLESS STEEL)	3
3	GAS-103056-A02	PACKING GLAND (DUCTILE IRON) 1-1/2" PLUNGER	
3	GAS-103043-A03	PACKING GLAND (BRONZE) 1-1/2" PLUNGER	2
3	180-165000-220	LUBE FITTING (IF USED)	1
REQ'D	Part No.	DESCRIPTION	ITEM
BILL OF MATERIAL			



*ALSO FITS 3364A-S, 3364-S

NOV NATIONAL OILWELL VARCO

HOUSTON, TEXAS, U.S.A.

ENGINEERING, TULSA, OKLAHOMA

TITLE:

ASSEMBLY, 1-1/2" PLUNGER KIT
BOLT-ON TYPE PACKING GLAND
*55T-3M, 55T-3MS (3364-3, 3364-2)

DWG No.:

118675

SCALE:

NONE

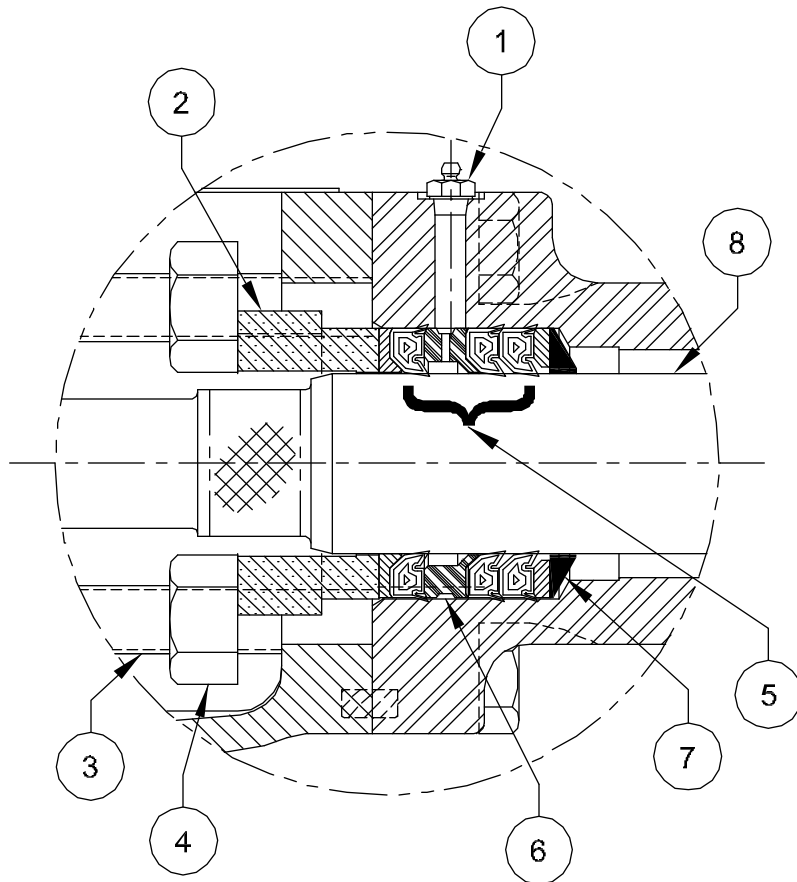
REV

A

SHT.:

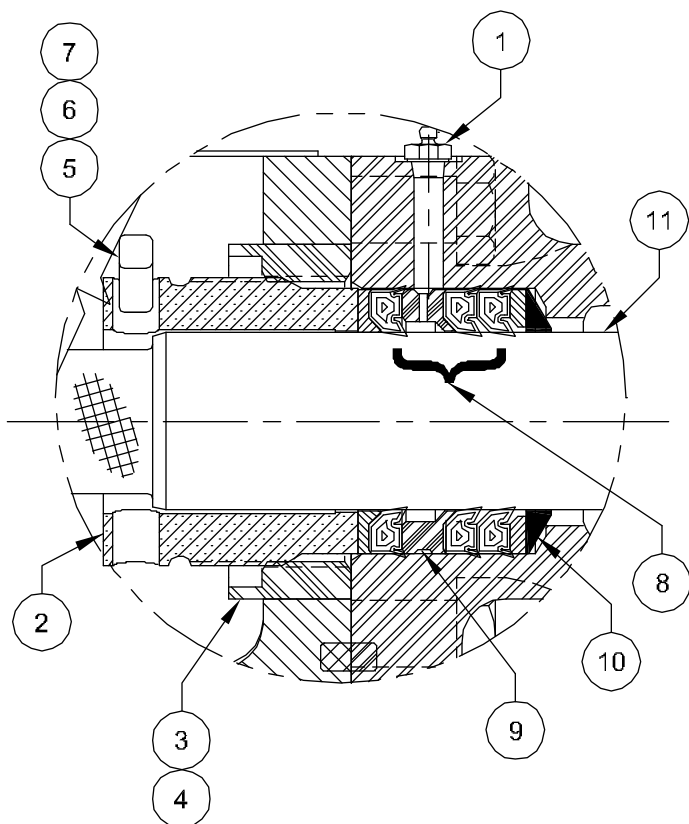
1 of 1

3	GAS-107440-G14	BAFFLE DISC - (NOT SHOWN)	9
3	SEE PLUNGER DWG'S	PLUNGER	8
3	AEB-102782-302	BOTTOM RING (BRONZE)	7
3	GAS-103009-000	LANTERN RING (BRONZE)	6
3	GAS-102944-000	PACKING SET (J-STYLE)	5
6	GAS-103900-000	HEX NUT (SELF LOCKING)	4
6	GAS-104240-000	STUD (STAINLESS STEEL)	3
3	GAS-103042-A03	PACKING GLAND (BRONZE) 1-1/4" PLUNGER	2
3	180-165000-220	LUBE FITTING (IF USED)	1
REQ'D	Part No.	DESCRIPTION	ITEM
BILL OF MATERIAL			



NOV NATIONAL OILWELL VARCO			
HOUSTON, TEXAS, U.S.A.		ENGINEERING, TULSA, OKLAHOMA	
TITLE:			
ASSEMBLY, 1-1/4" PLUNGER KIT BOLT-ON TYPE PACKING GLAND 55T-3M (3364-3, 3364A-S)			
DWG No.:	SCALE:	REV	SHT.:
118673	NONE	A	1 OF 1

3	GAS-107440-G14	BAFFLE DISC - (NOT SHOWN)	12
3	SEE PLUNGER DWG'S	PLUNGER	11
3	AEB-102782-302	BOTTOM RING (BRONZE)	10
3	GAS-103009-000	LANTERN RING (BRONZE)	9
3	GAS-102944-000	PACKING SET (J-STYLE)	8
3	GAS-103895-000	HEX HEX NUT (SELF LOCKING)	7
3	GAS-103681-000	GLAND LOCK (OPTIONAL)	6
3	105-038200-290	SOCKET HEAD CAP SCREW	5
6	105-034134-290	SOCKET HEAD CAP SCREW	4
3	GAS-101154-A03	ADAPTER, PACKING GLAND (BRONZE)	3
3	GAS-101160-A03	PACKING GLAND (BRONZE) 1-1/4" PLUNGER	2
3	180-165000-220	LUBE FITTING (IF USED)	1
REQ'D	Part No.	DESCRIPTION	ITEM
BILL OF MATERIAL			



55

NOV NATIONAL OILWELL VARCO

HOUSTON, TEXAS, U.S.A.

ENGINEERING, TULSA, OKLAHOMA

TITLE:

ASSEMBLY, 1-1/4" PLUNGER KIT
SCREW TYPE PACKING GLAND
55T-3M (3364-3, 3364A-S)

DWG No.:

118677

SCALE:

NONE

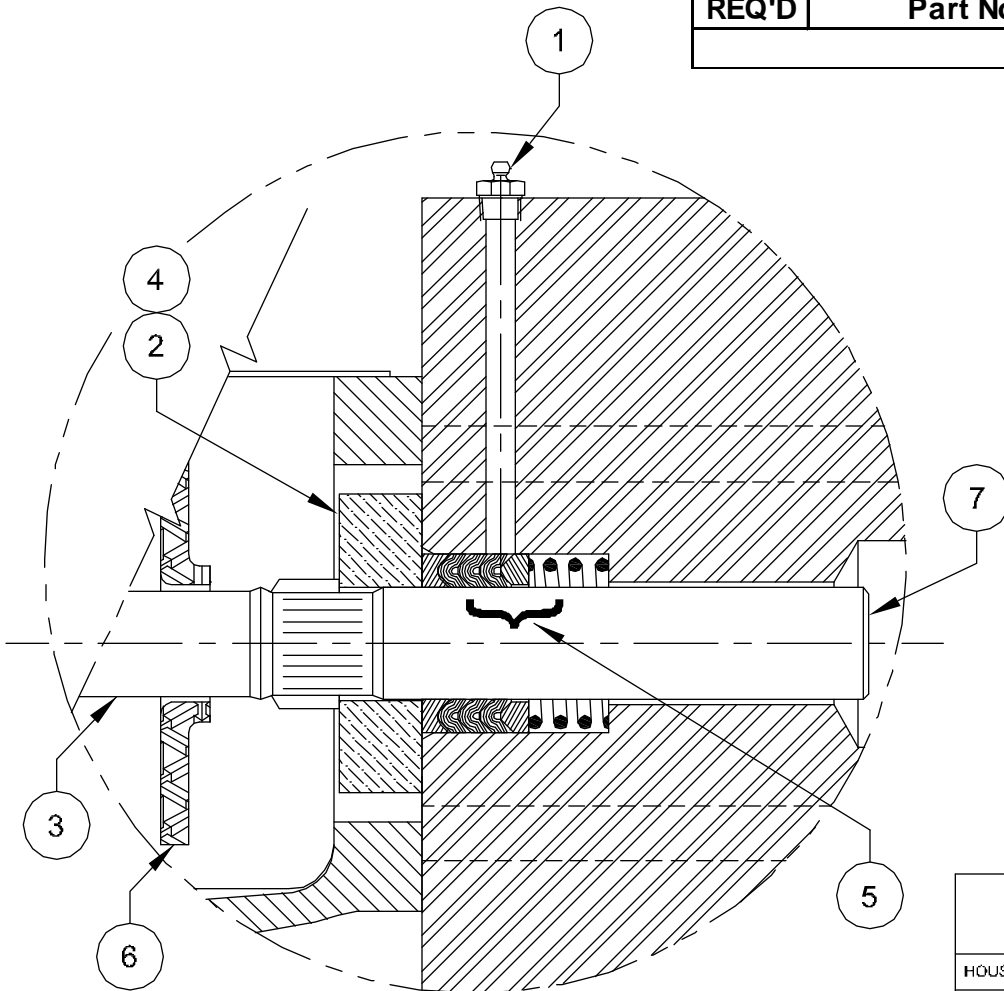
REV

A

SHT.:

1 OF 1

3	SEE PLUNGER DWG'S	PLUNGER	7
3	GAS-107440-G14	BAFFLE DISC	6
3	GAS-103194-000	PACKING SET (805-4)	5
6	105-034134-290	SOCKET HEAD CAP SCREW	4
3	GAS-100625-402	ADAPTER ROD (STAINLESS)	3
3	GAS-101186-C05	PACKING GLAND (STEEL) 1-1/4" PLUNGER	2
3	180-165000-220	LUBE FITTING (IF USED - NOT SHOWN)	1
REQ'D	Part No.	DESCRIPTION	ITEM
BILL OF MATERIAL			



56

NOV NATIONAL OILWELL VARCO

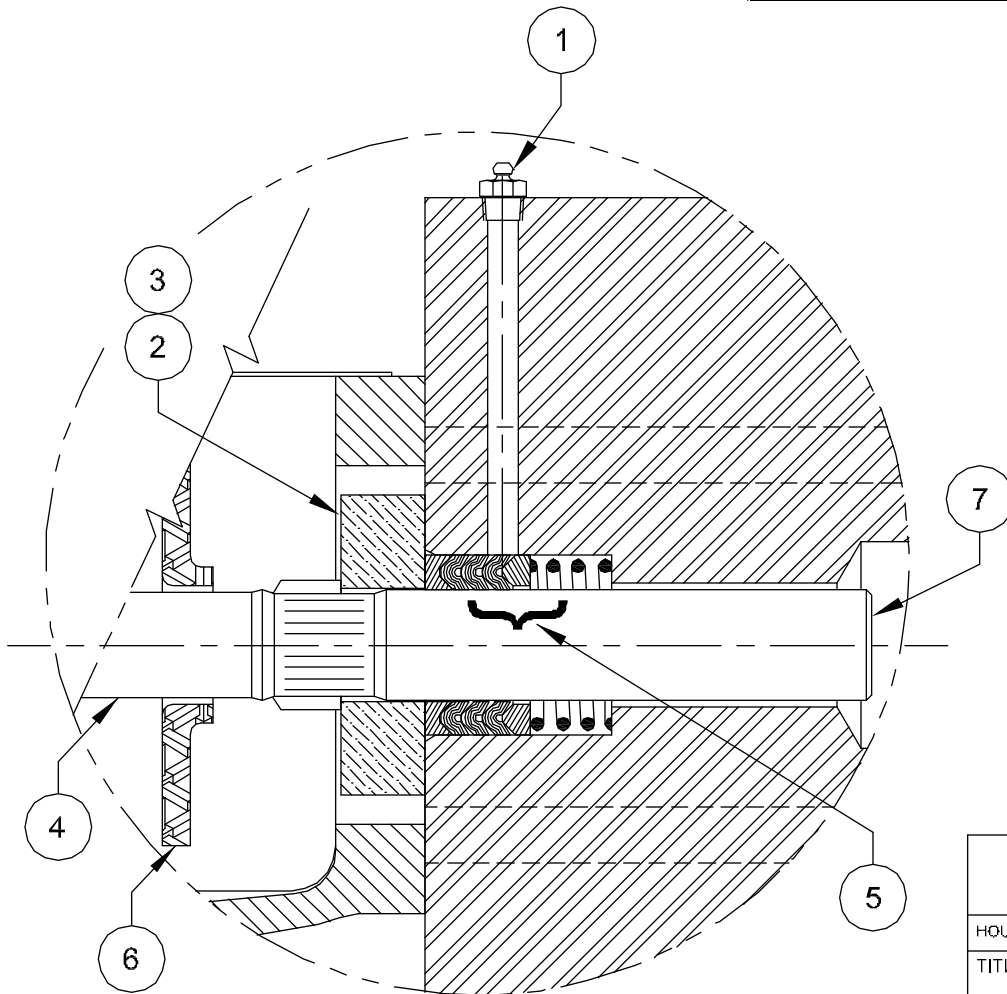
HOUSTON, TEXAS, U.S.A. ENGINEERING, TULSA, OKLAHOMA

TITLE:

ASSEMBLY, 1-1/4" PLUNGER KIT
BOLT-ON TYPE PACKING GLAND
55T-3H (3364-1, 3364-HU)

DWG No.:	118708	SCALE:	NONE	REV:	A	SHT.:	1 OF 1
----------	--------	--------	------	------	---	-------	--------

3	SEE PLUNGER DWG'S	PLUNGER	7
3	GAS-107440-G14	BAFFLE DISC	6
3	GAS-103192-000	PACKING SET (805-4)	5
3	GAS-100624-402	ADAPTER ROD (STAINLESS)	4
6	105-034134-290	SOCKET HEAD CAP SCREW	3
3	GAS-101185-C05	PACKING GLAND (STEEL) 1" PLUNGER	2
3	180-165000-220	LUBE FITTING (IF USED - NOT SHOWN)	1
REQ'D	Part No.	DESCRIPTION	ITEM
BILL OF MATERIAL			



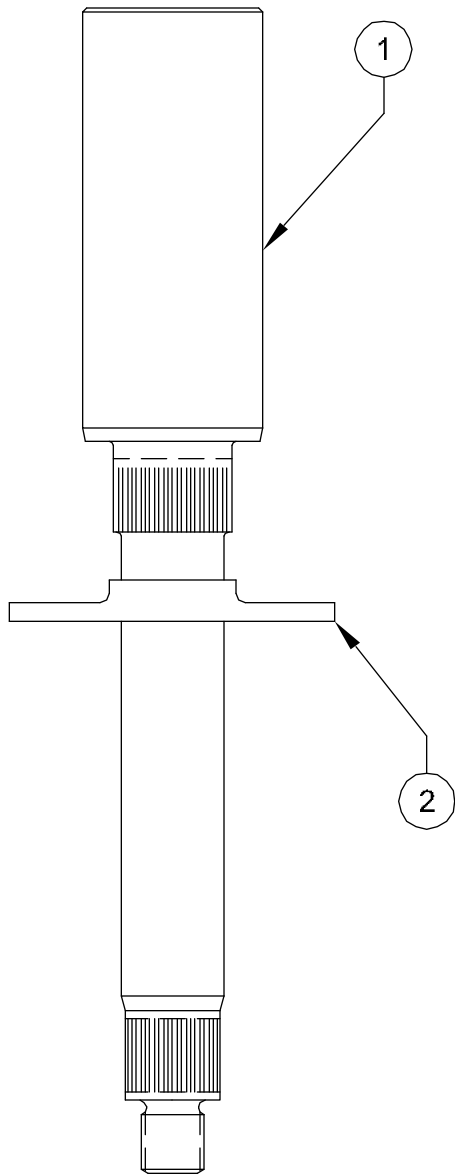
57

NOV NATIONAL OILWELL VARCO

HOUSTON, TEXAS, U.S.A. ENGINEERING, TULSA, OKLAHOMA

TITLE:
ASSEMBLY, 1" PLUNGER KIT
BOLT-ON TYPE PACKING GLAND
55T-3H (3364-1, 3364-HU)

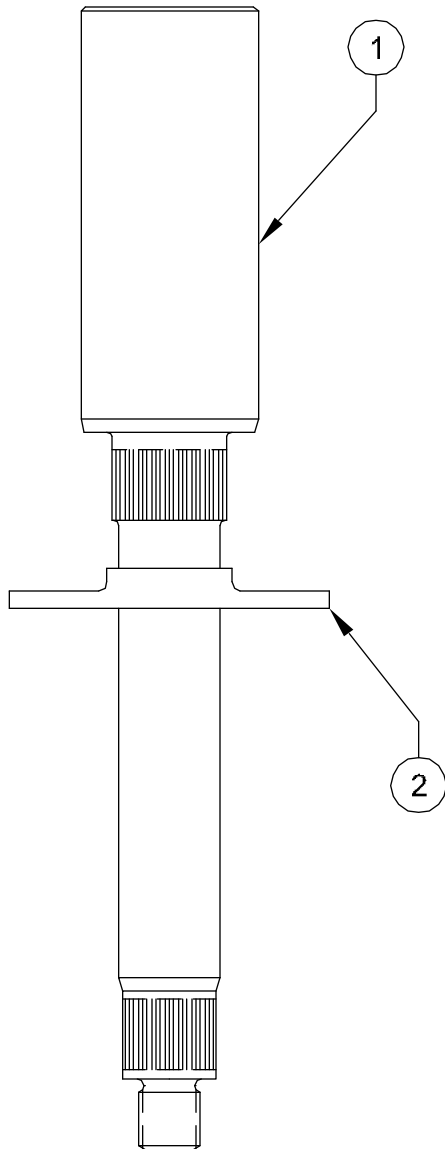
DWG No.:	118719	SCALE:	NONE	REV	A	SHT.:	1 OF 1
----------	--------	--------	------	-----	---	-------	--------



3	GAS-107440-G14	BAFFLE DISC	2
3	GAS-102835-E33	2-1/2" DIA. PLUNGER, CERAMIC	
3	GAS-102834-E33	2-1/4" DIA. PLUNGER, CERAMIC	
3	GAS-102833-E33	2" DIA. PLUNGER, CERAMIC	
3	GAS-102832-E33	1-3/4" DIA. PLUNGER, CERAMIC	
3	GAS-102831-E33	1-1/2" DIA. PLUNGER, CERAMIC	1
REQ'D	Part No.	DESCRIPTION	ITEM
BILL OF MATERIAL			

58

NOV NATIONAL OILWELL VARCO			
HOUSTON, TEXAS, U.S.A.		ENGINEERING, TULSA, OKLAHOMA	
TITLE: PLUNGERS 1-1/2" THRU 2-1/2" DIAMETER CERAMIC 55T-3 (3364)			
DWG No.:	118679	SCALE:	NONE
REV	A	SHT.:	1 OF 1



3	GAS-107440-G14	BAFFLE DISC	2
3	AKC-102825-E24	2-1/2" DIA. PLUNGER, CHROME OXIDE	
3	AKC-102825-E23	2-1/2" DIA. PLUNGER, COBALT	
3	AKC-102825-E22	2-1/2" DIA. PLUNGER, TUNGSTEN	
3	AKC-102825-E26	2-1/2" DIA. PLUNGER, PREMIUM TUNGSTEN	1
3	AHC-102825-E24	2-1/4" DIA. PLUNGER, CHROME OXIDE	
3	AHC-102825-E23	2-1/4" DIA. PLUNGER, COBALT	
3	AHC-102825-E22	2-1/4" DIA. PLUNGER, TUNGSTEN	
3	AHC-102825-E26	2-1/4" DIA. PLUNGER, PREMIUM TUNGSTEN	1
3	ADC-102825-E24	2" DIA. PLUNGER, CHROME OXIDE	
3	ADC-102825-E23	2" DIA. PLUNGER, COBALT	
3	ADC-102825-E22	2" DIA. PLUNGER, TUNGSTEN	
3	ADC-102825-E26	2" DIA. PLUNGER, PREMIUM TUNGSTEN	1
3	ABC-102825-E24	1-3/4" DIA. PLUNGER, CHROME OXIDE	
3	ABC-102825-E23	1-3/4" DIA. PLUNGER, COBALT	
3	ABC-102825-E22	1-3/4" DIA. PLUNGER, TUNGSTEN	
3	ABC-102825-E26	1-3/4" DIA. PLUNGER, PREMIUM TUNGSTEN	1
3	GAS-106663-E24	1-1/2" DIA. PLUNGER, CHROME OXIDE	
3	GAS-102824-E23	1-1/2" DIA. PLUNGER, COBALT	
3	GAS-102839-E22	1-1/2" DIA. PLUNGER, TUNGSTEN	1
3	AAC-102824-E26	1-1/2" DIA. PLUNGER, PREMIUM TUNGSTEN	
REQ'D	Part No.	DESCRIPTION	ITEM
BILL OF MATERIAL			

59

NOV NATIONAL OILWELL VARCO

HOUSTON, TEXAS, U.S.A.

ENGINEERING, TULSA, OKLAHOMA

TITLE:

PLUNGERS 1-1/2" THRU 2-1/2" DIAMETER
HARD SURFACE
55T-3 (3364)

DWG No.:

118684

SCALE:

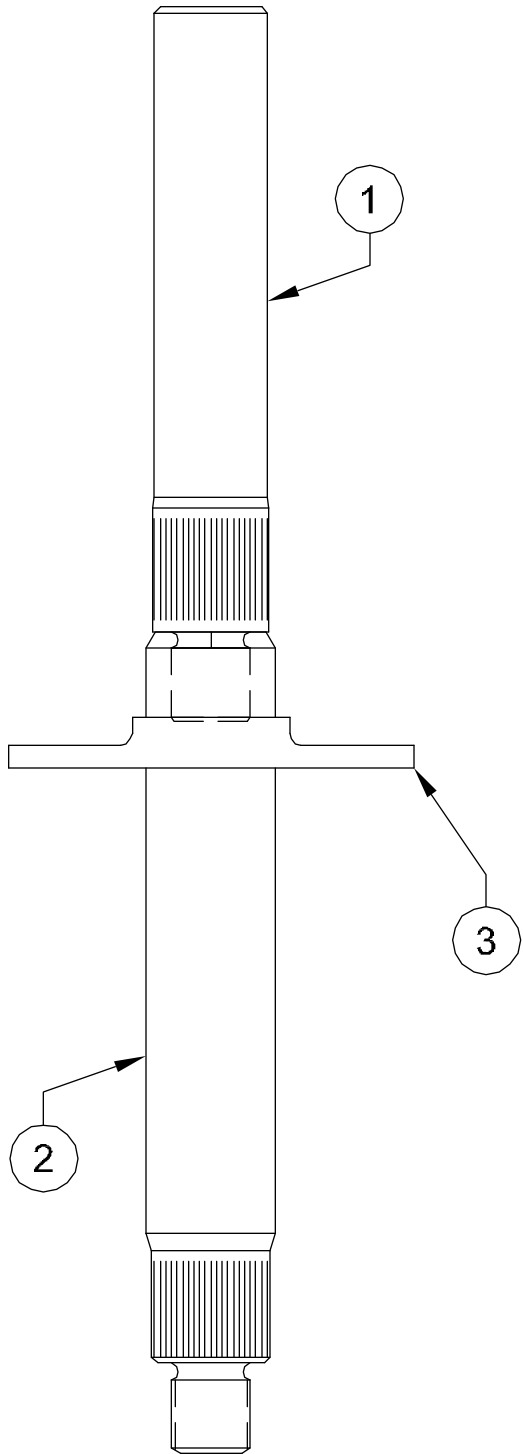
NONE

REV

A

SHT.:

1 OF 1



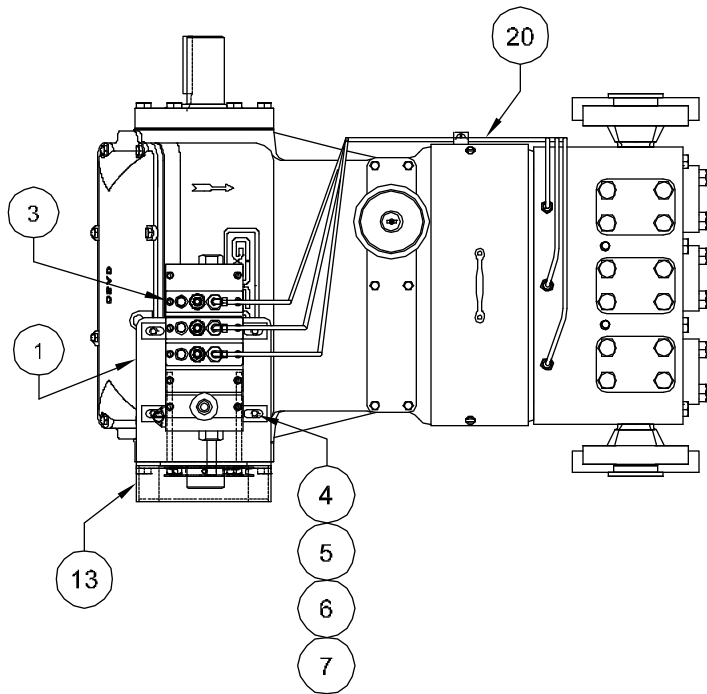
3	GAS-107440-G14	BAFFLE DISC	3
3	GAS-100625-402	ADAPTER ROD (STAINLESS STEEL)	2
3	GAS-114226-E24	1-1/4" DIA. PLUNGER, CHROME OXIDE	
3	GAS-103479-E23	1-1/4" DIA. PLUNGER, COBALT	
3	GAS-103502-E22	1-1/4" DIA. PLUNGER, TUNGSTEN	
3	ACC-103479-E26	1-1/4" DIA. PLUNGER, PREMIUM TUNGSTEN	
3	GAS-103489-E33	1-1/4" DIA. PLUNGER, CERAMIC	1
REQ'D	Part No.	DESCRIPTION	ITEM
BILL OF MATERIAL			



HOUSTON, TEXAS, U.S.A. ENGINEERING, TULSA, OKLAHOMA

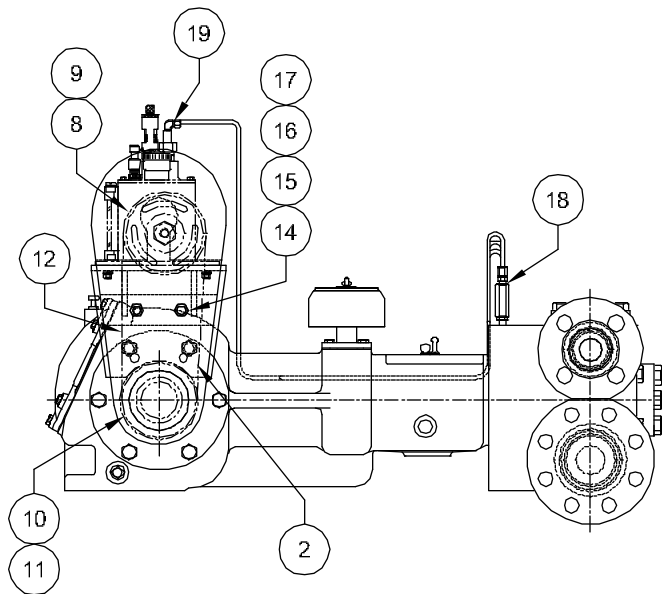
TITLE:
**PLUNGERS, 1-1/4" DIAMETER
 CERAMIC AND HARD SURFACE
 55T-3M (3364-3, 3364A-S)**

DWG No.:	118671	SCALE:	NONE	REV	A	SHT.:	1 OF 1
----------	--------	--------	------	-----	---	-------	--------



216"	330-002003-365	TUBING, STAINLESS	20
3	GAS-104168-000	FITTING, ELBOW, STAINLESS	19
3	GAS-105240-000	CHECK VALVE	18
2	154-012087-286	LOCK WASHER	17
2	155-012138-286	FLAT WASHER	16
2	133-012013-286	HEX NUT, HEAVY	15
2	100-012312-290	CAP SCREW HEX HEAD	14
OR 1	AAB-113767-C02	BELT GUARD, DOUBLE EXTENDED CRANK	
1	GAS-105231-000	BELT GUARD, SINGLE EXTENDED CRANK	13
1	421-100420-001	V-BELT, LUBRICATOR DRIVE	12
2	324-516012-220	SET SCREW, CUP POINT	11
1	GAS-106406-A02	CRANKSHAFT, SHEAVE	10
1	419-101070-999	LUBRICATOR, SHEAVE	9
1	420-020509-019	LUBRICATOR, BUSHING COMPLETE	8
4	154-038068-286	LOCK WASHER	7
8	155-038100-286	WASHER, FLAT	6
12	133-038016-286	HEX NUT, HEAVY	5
4	104-038234-286	STUD BOLT	4
OR 1	GAS-105227-000	LUBRICATOR, LHD, (3) FEED	
1	GAS-105228-000	LUBRICATOR, RHD, (3) FEED	3
2	100-058212-290	CAP SCREW, HEX HEAD	2
1	GAS-105230-000	MOUNTING BRACKET, LUBRICATOR	1
REQ'D	Part No.	DESCRIPTION	ITEM
BILL OF MATERIAL			

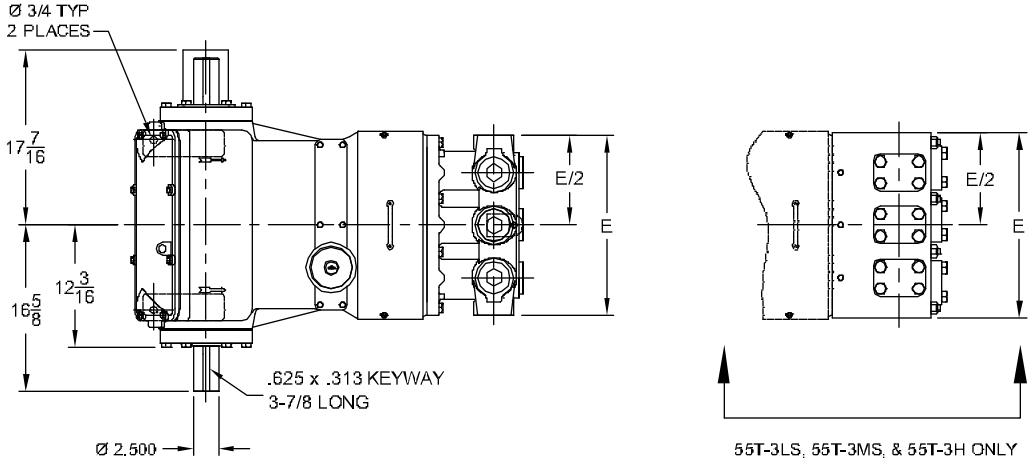
62



NOV NATIONAL OILWELL VARCO			
HOUSTON, TEXAS, U.S.A.		ENGINEERING, TULSA, OKLAHOMA	
TITLE:			
ASSEMBLY, PACKING LUBRICATOR (RHD OR LHD) LHD SHOWN 55T-3 (3364)			
DWG No.:	SCALE:	REV	SHT.:
118720	NONE	A	1 OF 1

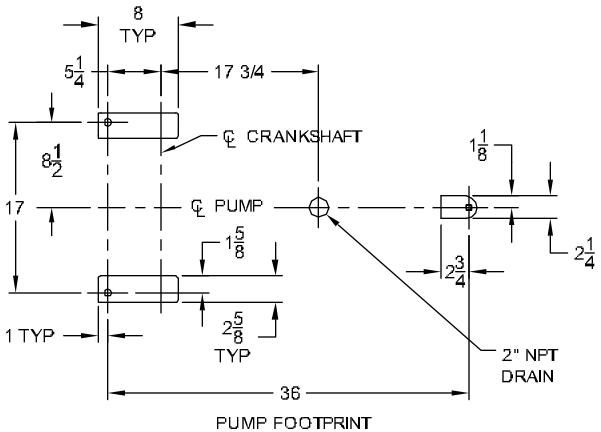
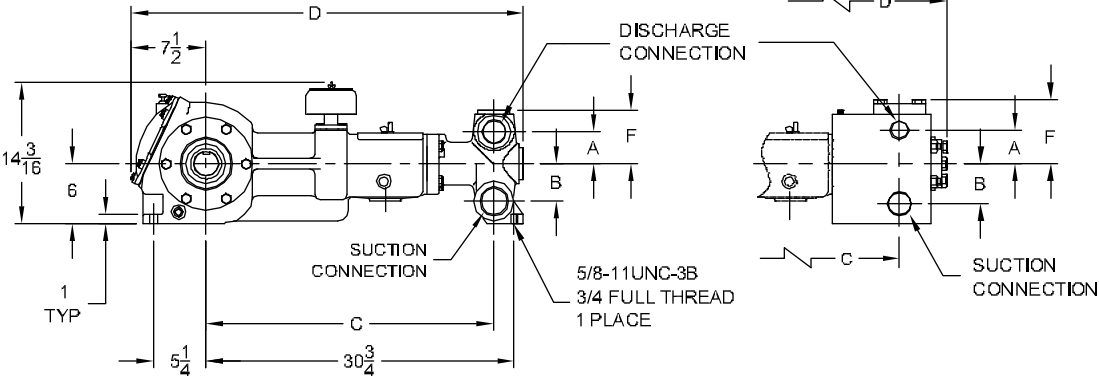
FIELD CONNECTIONS

PUMP TYPE	DIMENSIONS IN INCHES					
	A	B	C	D	E	F
55T-3L	3-3/16	3-3/4	28-3/4	39-3/16	18	5-3/8
55T-3LS	3-3/8	4	28-3/4	41	18-1/2	6-1/2
55T-3M	3-3/16	3-3/4	28-3/4	39-3/16	18	5-3/8
55T-3MS	3-3/8	4	28-3/4	41	18-1/2	6-1/2
55T-3H	3-3/8	4	28-3/4	41	18-1/2	6-1/2



55T-3LS, 55T-3MS, & 55T-3H ONLY

PUMP TYPE	DIMENSIONS IN INCHES	
	DISCHARGE CONNECTION SIZE	SUCTION CONNECTION SIZE
55T-3L	2" - NPT	2-1/2" - NPT
55T-3LS	1-1/2" - NPT	2" - NPT
55T-3M	2" - NPT	2-1/2" - NPT
55T-3MS	1-1/2" - NPT	2" - NPT
55T-3H	1-1/2" - NPT	2" - NPT



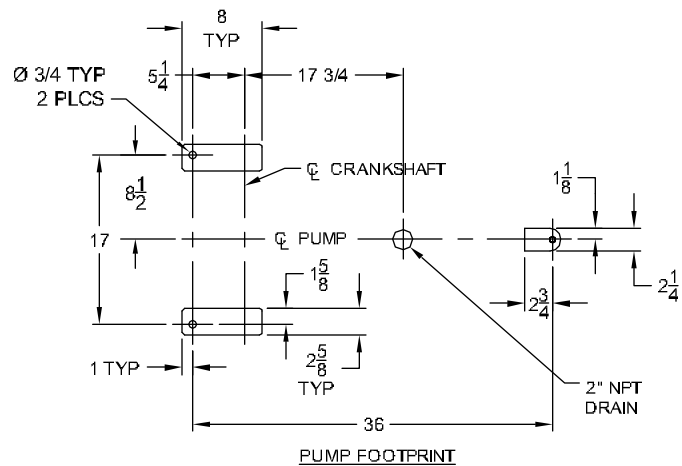
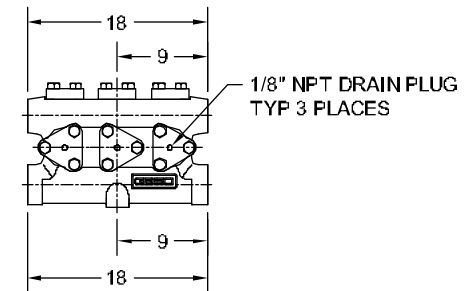
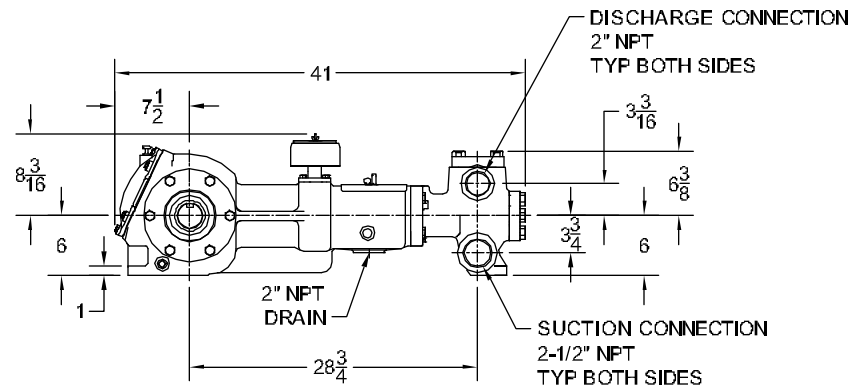
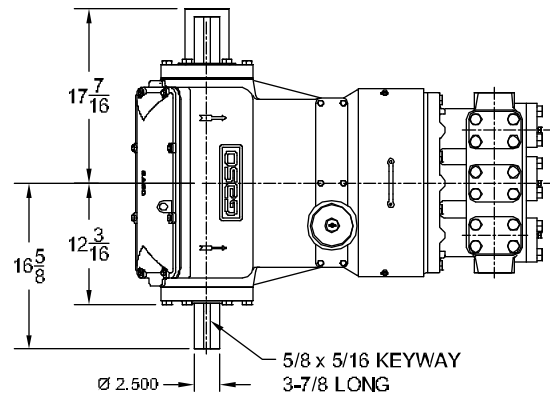
PUMP FOOTPRINT

NATIONAL OILWELL VARCO

HOUSTON, TEXAS, U.S.A. ENGINEERING, TULSA, OKLAHOMA

TITLE:
**GENERAL DIMENSION, RHD 55T-3
 CAST FLUID END (55T-3L & 3M)
 FORGED FLUID END (55T-3H, 3MS & 3LS)**

DWG No.: 118643	SCALE: NONE	REV: A	SHT.: 1 OF 1
-----------------	-------------	--------	--------------



NOV NATIONAL OILWELL VARCO

HOUSTON, TEXAS, U.S.A.

ENGINEERING, TULSA, OKLAHOMA

TITLE:

**GENERAL DIMENSION, RHD 55T-3SC
CAST FLUID END w/ BOLT ON COVERS**

DWG No.:

118644

SCALE:

NONE

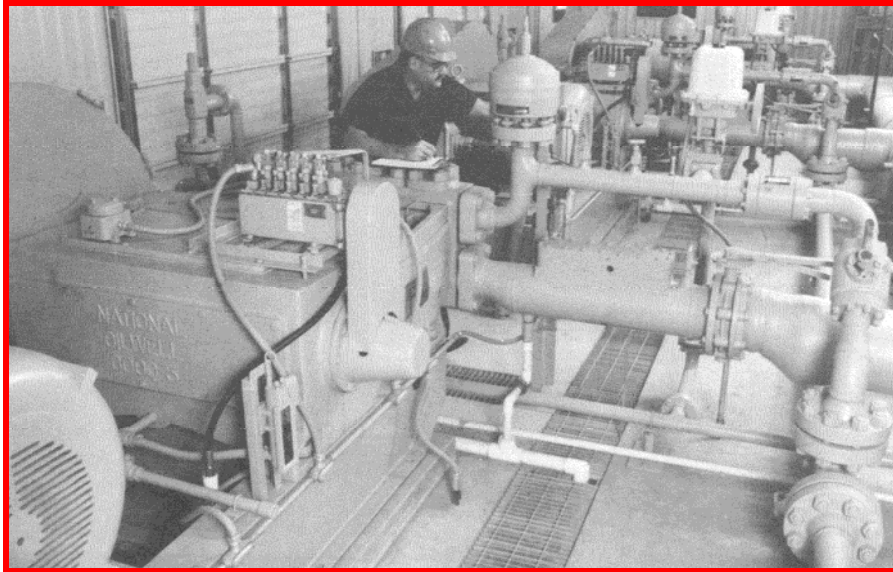
REV

A

SHT.:

1 OF 1

NATIONAL OILWELL VARCO



With over 120 locations worldwide, National Oilwell Varco is located near you. To find the nearest Distribution Service Center, machinery center or repair facility, please give us a call at our main office listed below.

Or you can access our website at the URL listed below, where you may search by location or country.

<http://www.nov.com/contactus/>

Sales/Technical Information:
USA Tollfree: 1 (800) 324-4706

Internet: <http://www.nov.com>

National Oilwell Varco is a leading manufacturer of reciprocating plunger pumps, Mission Fluid King centrifugal pumps, and fluid end replacement parts. We also offer a complete set of solutions to your fluid transfer challenges. For more information, contact National Oilwell Varco directly at the Headquarters in Houston, Texas. All National Oilwell Varco products are available throughout the U.S. and around the world from service centers, authorized distributors, and representatives.

© Copyright 1999 by National Oilwell, L.P. All Rights Reserved. NATIONAL OILWELL, NATIONAL, and OILWELL are registered trademarks of NATIONAL OILWELL, L.P. Houston, Texas, USA. All other trademarks used are registered to their respective companies. The information and data in this brochure, including but not limited to pictures, photographs, charts, diagrams, drawings, lists, written comments, and specifications, are accurate to the best of our knowledge and belief, but are intended for general information only. Applications suggested for the materials and other information are described only to help readers make their own evaluations and decisions, and are neither guarantees nor are they to be construed as express or implied warranties of suitability for these or other applications. National Oilwell makes no warranty, either express or implied, beyond that stipulated in National Oilwell's Standard Terms and Conditions of Sale which are available upon request.