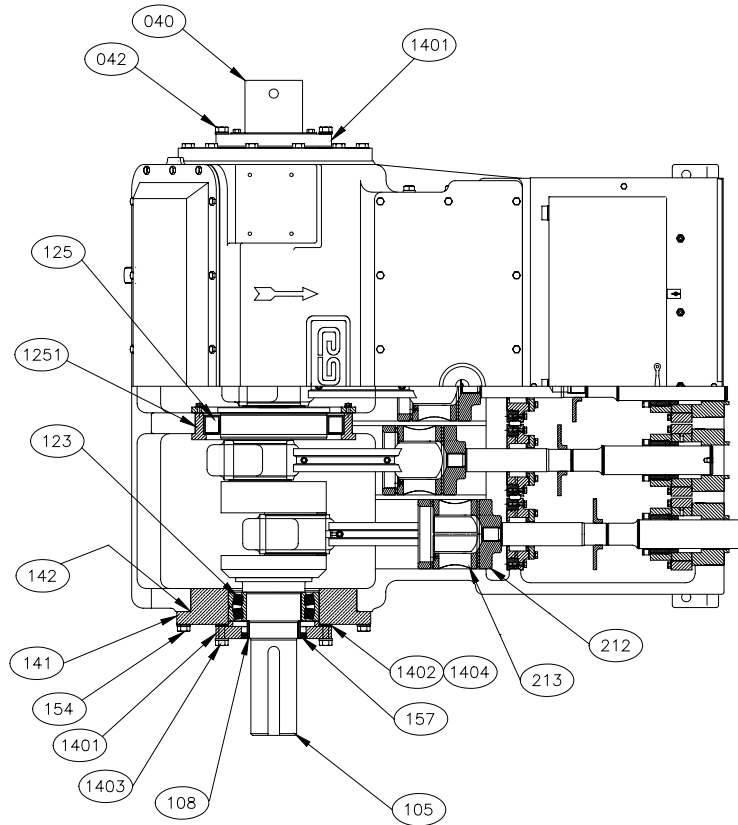


<u>ITEM NO.</u>	<u>PART NUMBER</u>	<u>QTY.</u>	<u>PART DESCRIPTION</u>
001	GAS-106023-A17	1	POWER FRAME
014	ABB-113766-000	1	BREATHER CAP
020	GAS-114123-000	1	DIPSTICK
038	GAS-101058-000	1	OIL CHEST COVER
039	GAS-101059-000	1	GASKET, OIL CHEST COVER
048	GAS-101046-000	1	CRANKCASE COVER
049	GAS-101047-000	1	GASKET, CRANKCASE COVER
050	100-012100-290	32	CAP SCREW
070	GAS-101060-000	1	CRADLE COVER, STD
072	GAS-103670-000	4	THUMBSCREW
128	154-038068-286	16	WASHER, LOCK
129	100-038114-290	16	CAP SCREW
134	GAS-101056-000	2	CLAMP RING, INNER MAIN
198	GAS-106013-000	5	CONNECTING ROD ASSY, STD
212	GAS-106017-A02	5	CROSSHEAD, STD



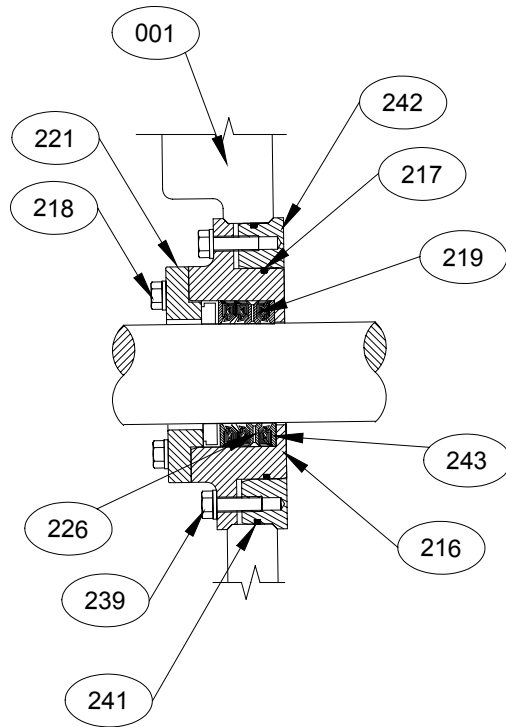
**350Q QUINTUPLEX
POWER END ASSEMBLIES**



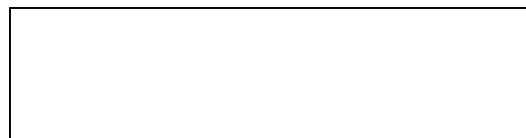
ITEM NO.	PART NUMBER	QTY.	PART DESCRIPTION
040	GAS-103838-000	1	EXTENSION COVER, STANDARD
042	100-038034-290	2	CAP SCREW
105	AAD-107899-A02	1	CRANKSHAFT, L/WEAR RING
108	GAS-103795-000	2	WEAR SLEEVE
123	GAS-103827-000	2	MAIN BEARING, END
125	GAS-101054-000	2	MAIN BEARING, CENTER
1251	GAS-101055-000	2	BEARING HOUSING, INNER
1401	GAS-103693-000	2	BEARING RETAINER RING
1402	GAS-103694-000	2	GASKET, RETAINER RING
1403	100-012214-290	16	CAP SCREW
1404	GAS-110752-000	2	SHIM
141	GAS-101051-A01	2	BEARING HOUSING, OUTER
142	110-000283-200	2	O-RING
154	100-034212-290	24	CAP SCREW
157	GAS-103837-000	2	OIL SEAL
212	GAS-106017-A02	5	CROSSHEAD,STD
213	GAS-110947-B24	5	WRIST PIN, STD

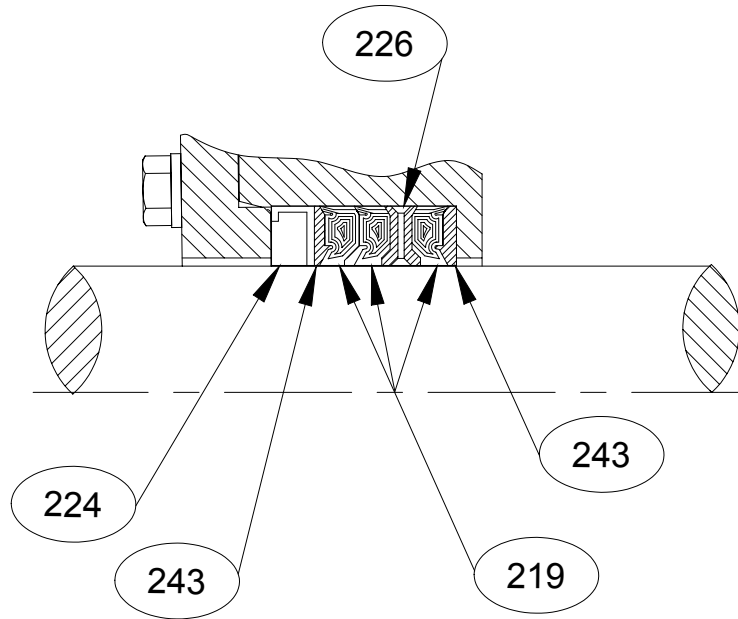


**350Q QUINTUPLEX
POWER END ASSEMBLIES**



<u>ITEM NO.</u>	<u>PART NUMBER</u>	<u>QTY.</u>	<u>PART DESCRIPTION</u>
001	GAS-106023-A17	1	POWER FRAME
216	GAS-103707-000	5	WIPER BOX
217	110-000250-200	5	O-RING
218	100-012112-290	10	CAP SCREW
219	GAS-104566-000	5	PACKING SET, STD
221	GAS-103710-000	5	GLAND
226	GAS-103711-000	5	LANTERN RING
239	100-038114-290	20	CAP SCREW
241	110-000263-200	5	O-RING
242	GAS-103709-C05	5	CLAMP RING
243	GAS-103779-000	10	END RING

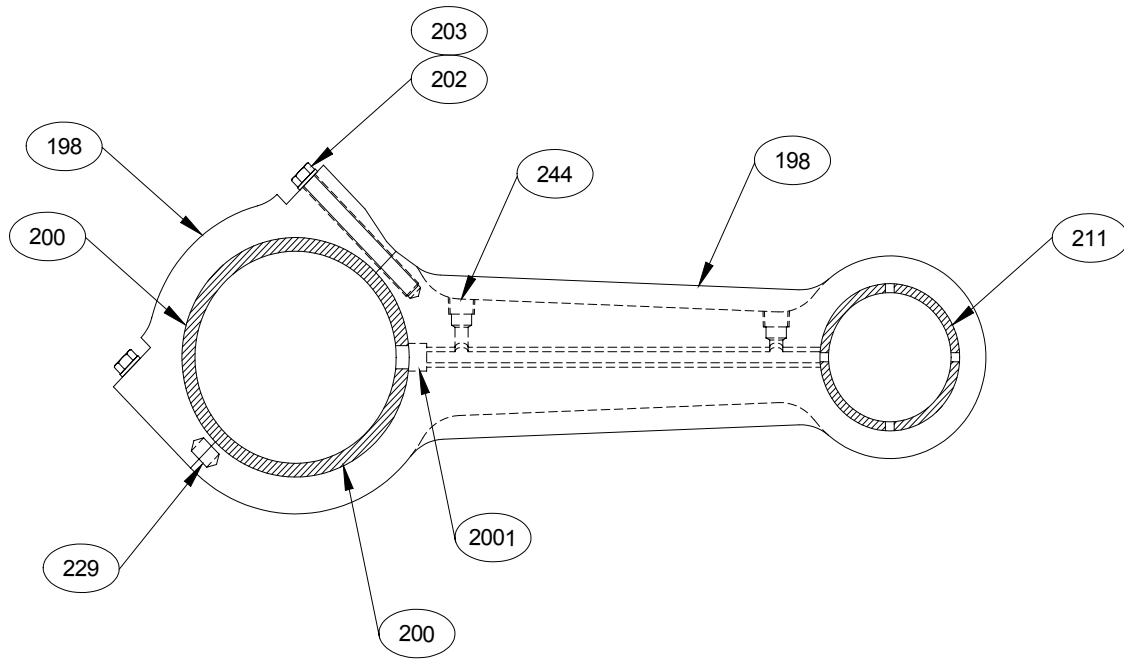




<u>ITEM NO.</u>	<u>PART NUMBER</u>	<u>QTY.</u>	<u>PART DESCRIPTION</u>
*219	GAS-113005-000	5	PACKING
*224	GAS-104567-000	5	OIL SEAL
226	GAS-103711-000	5	LANTERN RING
243	GAS-103779-000	10	END RING

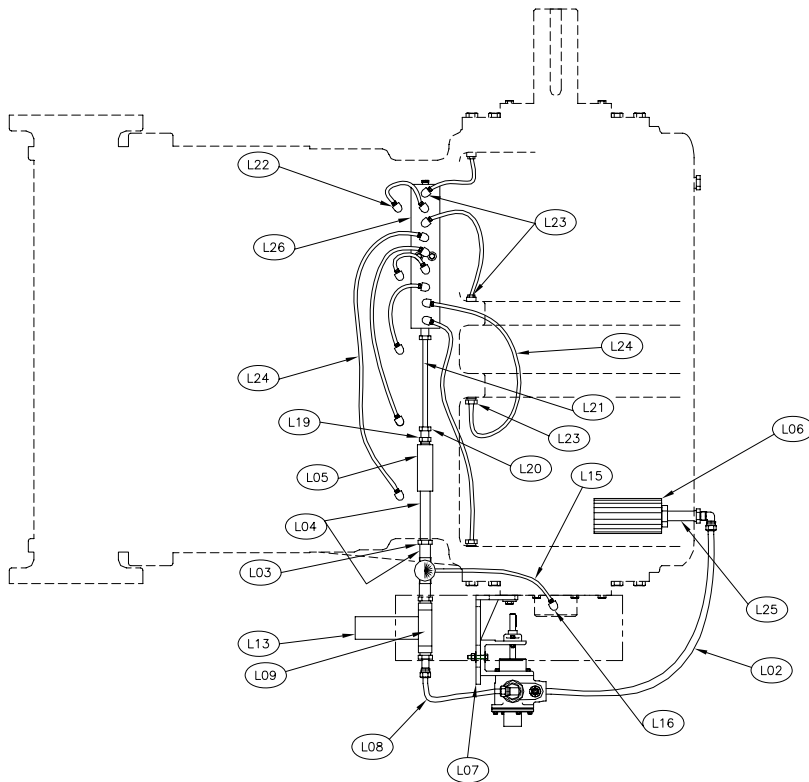
* ITEMS 219 AND 224 CAN BE PURCHASED AS A SET BY ORDERING PART NUMBER GAS-104566-000.





<u>ITEM NO.</u>	<u>PART NUMBER</u>	<u>QTY.</u>	<u>PART DESCRIPTION</u>
198	GAS-114714-A02	5	CONN. ROD, MACHINE
200	GAS-106015-000	5	SHELL BEARING
202	154-012087-286	20	LOCK WASHER
203	100-012400-290	20	CAP SCREW
211	GAS-103702-000	5	BUSHING, WRIST PIN, STD
229	GAS-106042-B38	10	ALIGNMENT PIN
244	170-038003-220	10	PIPE PLUG
2001	GAS-106211-B03	5	DOWELL PIN



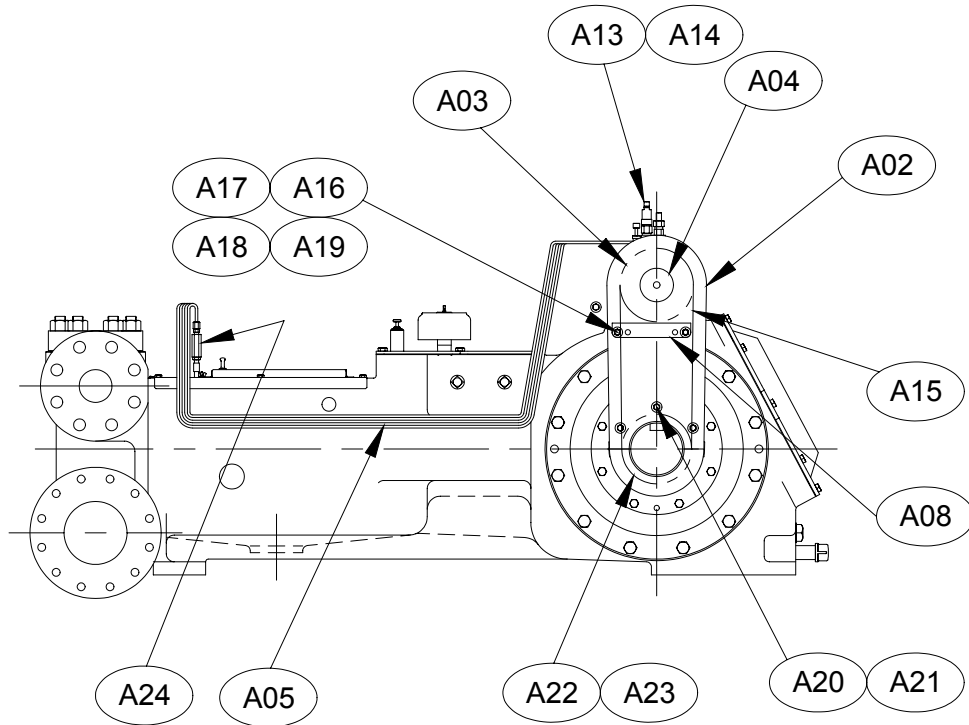


**ITEM
NO. PART NUMBER QTY. PART DESCRIPTION**

L02	GAS-107253-000	1	SUCTION HOSE, #16 X 44
L03	GAS-107147-000	1	BUSHING, SPECIAL
L04	157-034300-220	2	PIPE NIPPLE, 3/4 X 3
L05	GAS-106471-000	1	PIPE COUPLING, 3/4
L06	GAS-103887-000	1	STRAINER
L07	GAS-107090-000	1	BRACKET, LUBE PUMP
L08	GAS-107251-000	1	DISCHARGE HOSE, #12 X 15
L09	GAS-104594-000	1	HEAD, OIL FILTER
L13	GAS-106458-000	1	OIL FILTER ELEMENT
L15	GAS-112362-000	1	HOSE #6 X 20
L16	GAS-112358-000	1	ADAPTER 90°, 3/8 FNPT X 1/4 FNPT
L19	469-041206-238	2	BUSHING, 3/4 X 3/8
L20	GAS-107085-000	1	COMP FITTING, 3/8
L21	GAS-105246-000	22"	COPPER TUBING, 3/8
L22	GAS-106048-000	5	COMP FTG, 1/4 TUBE X 3/8 MNPT
L23	GAS-107087-000	11	COMP FTG, 90°, 1/4 TUBE X 1/8 MNPT
L24	GAS-105249-000	240"	COPPER TUBING, 1/4"
L25	157-100200-551	1	PIPE NIPPLE, 1 X 2
L26	GAS-106009-000	1	LUBE MANIFOLD



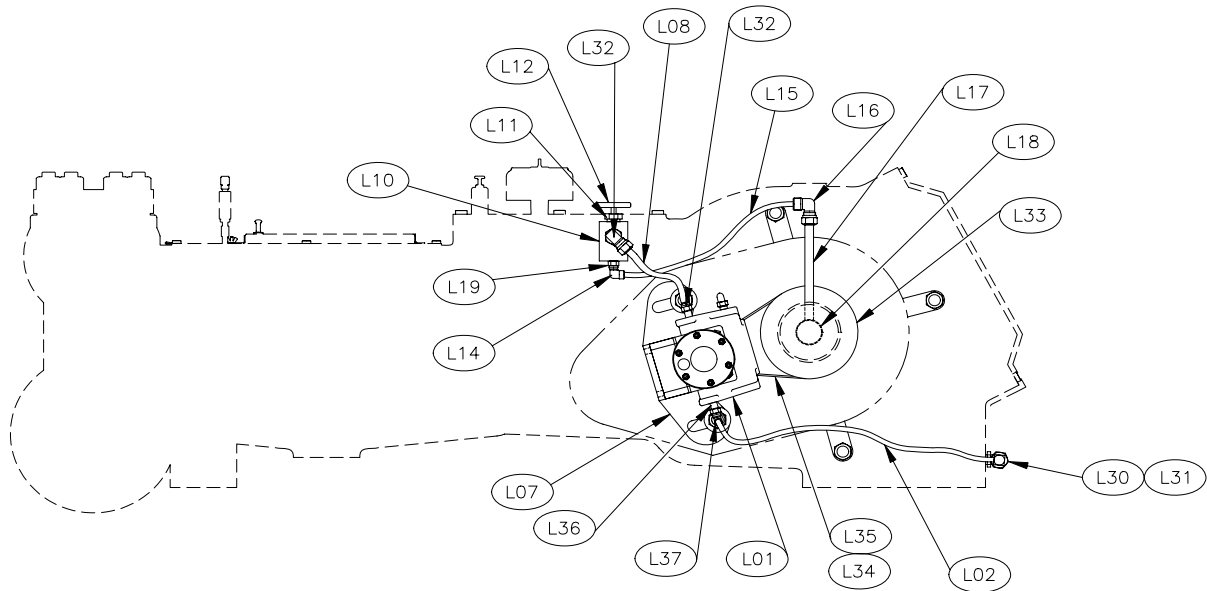
**350Q QUINTUPLEX
POWER END LUBE ASSEMBLIES**



<u>ITEM NO.</u>	<u>PART NUMBER</u>	<u>QTY.</u>	<u>PART DESCRIPTION</u>
A02	GAS-114005-C02	1	GUARD
A03	419-101079-999	1	SHEAVE, DRIVEN
A04	420-020509-019	1	HUB, SDS
A05	330-002003-365	600"	TUBING, 1/4"
A08	GAS-105243-C05	1	MOUNTING BRACKET
A09	104-038234-286	4	STUD, 3/8 X 2-3/4
A13	GAS-105264-000	5	PUMP ASSY ONLY, W/GASKET
A14	GAS-105265-000	5	SIGHT GLASS, REPLACEMENT
A15	421-100000-008	51"	LINK BELT
A16	100-038100-290	2	CAP SCREW, 3/8 X 1
A17	155-038100-286	2	FLAT WASHER, 3/8
A18	154-038068-286	2	LOCK WASHER, 3/8
A19	133-038016-286	2	NUT, 3/8
A20	100-038034-290	3	CAP SCREW, 3/8 X 3/4
A21	155-038100-286	3	FLAT WASHER, 3/8
A22	GAS-107964-000	1	SHEAVE, DRIVER
A23	324-516012-220	2	SET SCREW
A24	GAS-105240-000	5	CHECK VALVE



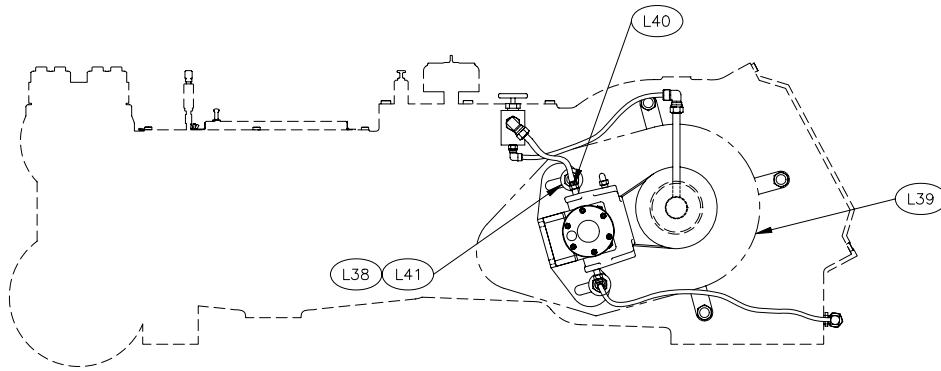
**350Q QUINTUPLEX
PACKING LUBE ASSEMBLIES**



<u>ITEM NO.</u>	<u>PART NUMBER</u>	<u>QTY.</u>	<u>PART DESCRIPTION</u>
L01	GAS-107020-000	1	LUBE PUMP F/TIMING BELT DRIVE
L02	GAS-107253-000	1	SUCTION HOSE, #16 X 44
L07	GAS-107090-000	1	BRACKET, LUBE PUMP
L08	GAS-107251-000	1	DISCHARGE HOSE, #12 X 15
L10	GAS-106465-000	1	PIPE CROSS, 3/4
L11	GAS-106467-000	1	BUSHING, 3/4 X 1/8
L12	AAA-030205-999	1	GAUGE, OIL PRESSURE
L14	GAS-112357-000	1	ADAPTER,90°,6MJIC X 6MNPT
L15	GAS-112362-000	1	HOSE #6
L16	GAS-112358-000	1	ADAPTER,90°,3/8 FNPT X 1/4 FNPT
L17	GAS-107254-000	1	PIPE NIPPLE, 1/4 X 12
L18	GAS-103894-000	1	ROTATING UNION
L19	469-041206-238	2	BUSHING, 3/4 X 3/8
L30	GAS-107157-000	1	BUSHING, SPECIAL
L31	GAS-107153-000	1	ADAPTER,90°, 16MJIC X 16MNPT
L32	GAS-107079-000	2	ADAPTER,90°, 12MJIC X 12MNPT
L33	GAS-107017-000	1	SPROCKET, DRIVER
L34	GAS-107018-000	1	SPROCKET, DRIVEN
L35	GAS-107019-000	1	BELT
L36	469-042016-238	1	PIPE BUSHING, 1-1/4 X 1
L37	GAS-107229-000	1	ADAPTER,45°, 16MJIC X 16MNPT



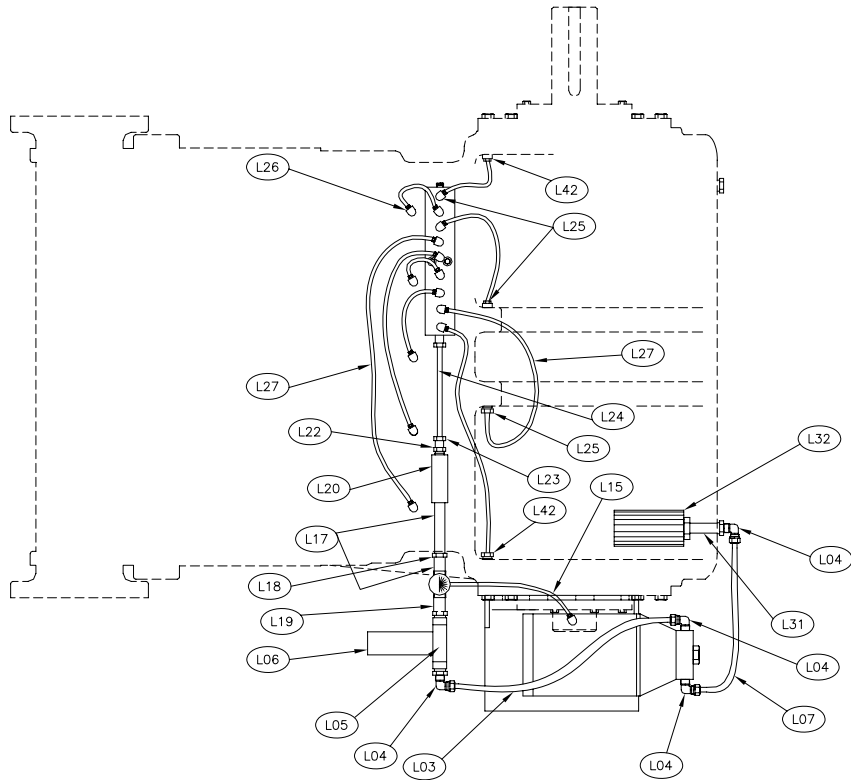
**350Q QUINTUPLEX
POWER END LUBE ASSEMBLIES**



<u>ITEM NO.</u>	<u>PART NUMBER</u>	<u>QTY.</u>	<u>PART DESCRIPTION</u>
L38	100-034300-290	3	CAP SCREW
L39	GAS-114008-C02	1	GUARD
L40	227-114034-250	1	BUSHING, 1-1/4 X 3/4
L41	155-034200-286	3	WASHER, 3/4



**350Q QUINTUPLEX
POWER END LUBE ASSEMBLIES**

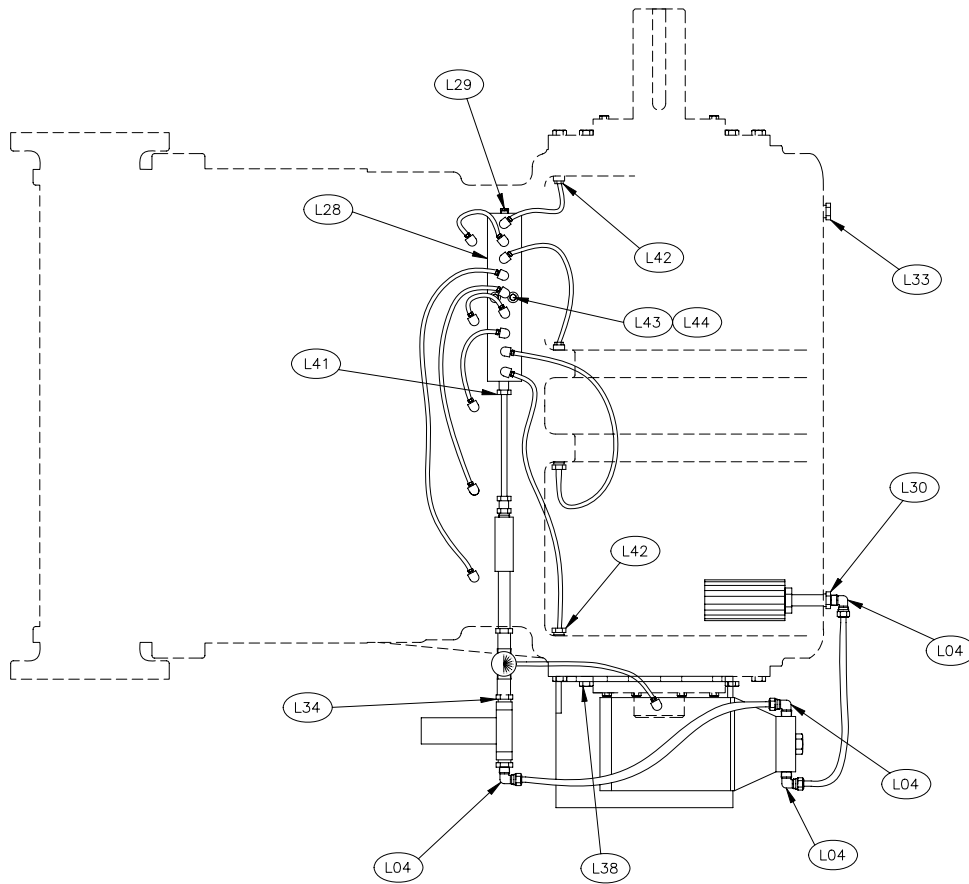


**ITEM
NO. PART NUMBER QTY. PART DESCRIPTION**

L03	GAS-107152-000	1	DISCHARGE HOSE, #16 X 25"
L04	GAS-107153-000	4	ADAPTER, 90°, 16MJIC X 16MNPT
L05	GAS-104594-000	1	HEAD, OIL FILTER
L06	GAS-106458-000	1	OIL FILTER ELEMENT
L07	GAS-107155-000	1	SUCTION HOSE, #16 X 32"
L15	GAS-112359-000	1	HOSE, #6 X 15"
L17	157-034300-220	2	PIPE NIPPLE, 3/4 X 3
L18	GAS-107147-000	1	BUSHING, SPECIAL
L19	157-034200-220	1	PIPE NIPPLE, 3/4 X 2
L20	GAS-106471-000	1	PIPE COUPLING, 3/4
L22	469-041206-238	2	BUSHING, 3/4 X 3/8
L23	GAS-107085-000	1	COMPRESSION FITTING, 3/8
L24	GAS-105246-000	22"	COPPER TUBING, 3/8
L25	GAS-107087-000	11	COMP FTG, 90°, 1/4 TUBE X 1/8 MNPT
L26	GAS-113671-000	5	COMP FTG, 1/4 TUBE X 3/8 MNPT
L27	GAS-105249-000	240"	COPPER TUBING, 1/4"
L31	157-100200-551	1	PIPE NIPPLE, 1 X 2
L32	GAS-103887-000	1	STRAINER
L42	001-011634-405	2	ADAPTER, 1/4 TUBE X 1/8 MNPT



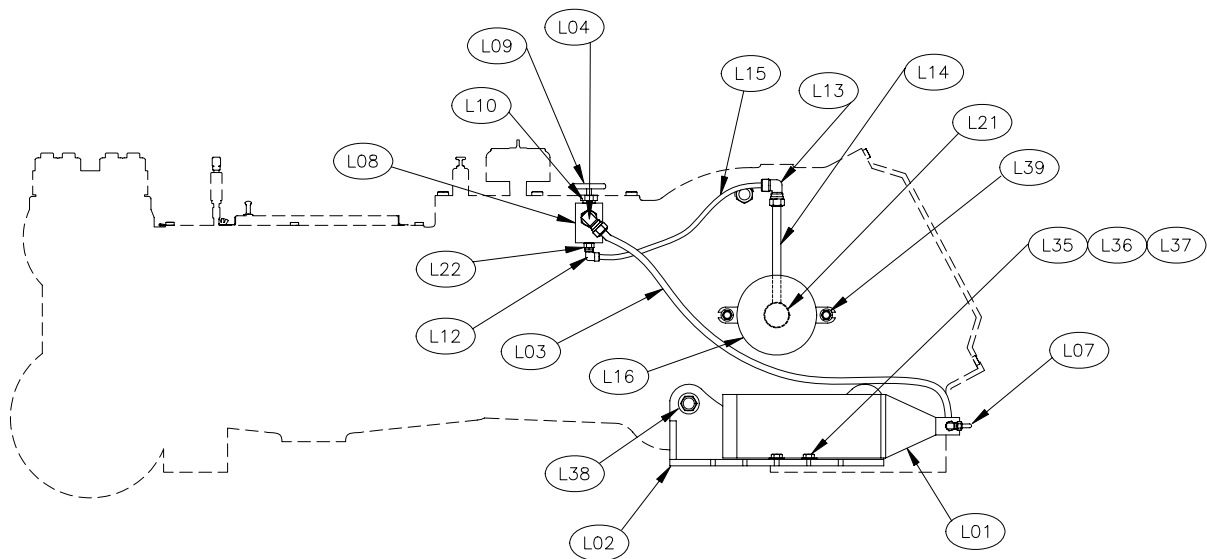
**350Q QUINTUPLEX
POWER END LUBE ASSEMBLIES**



<u>ITEM NO.</u>	<u>PART NUMBER</u>	<u>QTY.</u>	<u>PART DESCRIPTION</u>
L04	GAS-107153-000	4	ADAPTER,90 ⁰ ,16MJIC X 16MNPT
L28	GAS-106009-000	1	LUBE MANIFOLD
L29	170-038002-220	1	PIPE PLUG, 3/8
L30	GAS-107157-000	1	BUSHING, SPECIAL
L33	170-112002-220	1	PIPE PLUG, 1-1/2
L34	469-041612-238	1	BUSHING, 1 X 3/4
L38	100-034300-290	2	CAP SCREW, 3/4
L41	GAS-104172-000	1	COMP FTG, 90 ⁰ , 3/8
L42	001-011634-405	2	ADAPTER, 1/4 TUBE X 1/8 MNPT
L43	100-038212-290	2	CAP SCREW, 3/8
L44	155-038100-286	2	FLAT WASHER, 3/8



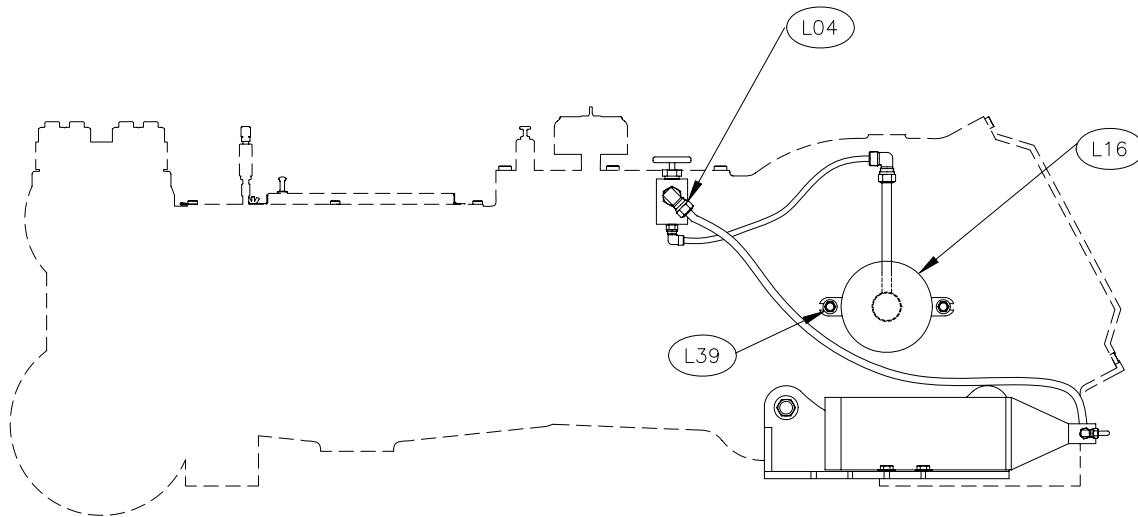
**350Q QUINTUPLEX
POWER END LUBE ASSEMBLIES**



<u>ITEM NO.</u>	<u>PART NUMBER</u>	<u>QTY.</u>	<u>PART DESCRIPTION</u>
L01	AJB-029766-999	1	LUBE PUMP W/TEFC MOTOR
L02	GAS-106010-C05	1	BRACKET, LUBE PUMP
L03	GAS-107152-000	1	DISCHARGE HOSE, #16 X 25"
L04	GAS-107153-000	4	ADAPTER,90 ⁰ , 16MJIC X 16MNPT
L07	GAS-107155-000	1	SUCTION HOSE, #16 X 32"
L08	GAS-106465-000	1	PIPE, CROSS, 3/4
L09	AAA-030205-999	1	GAUGE, OIL PRESSURE
L10	GAS-106467-000	1	BUSHING, 3/4 X 1/8
L12	GAS-112357-000	1	ADAPTER,90 ⁰ ,6MJIC X 6MNPT
L13	GAS-112358-000	1	ADAPTER,90 ⁰ ,3/8 FNPT X 1/4 FNPT
L14	GAS-106460-000	1	PIPE NIPPLE, 1/4 X 4
L15	GAS-112359-000	1	HOSE, #6 X 15"
L16	GAS-103838-000	1	GUARD
L21	GAS-103894-000	1	ROTATING UNION
L22	469-041206-238	2	BUSHING, 3/4 X 3/8
L35	155-038100-286	4	FLAT WASHER, 3/8
L36	100-038114-290	4	CAP SCREW, 3/8
L37	154-038068-286	4	LOCK WASHER, 3/8
L38	100-034300-290	2	CAP SCREW, 3/4
L39	100-038034-290	2	CAP SCREW, 3/8



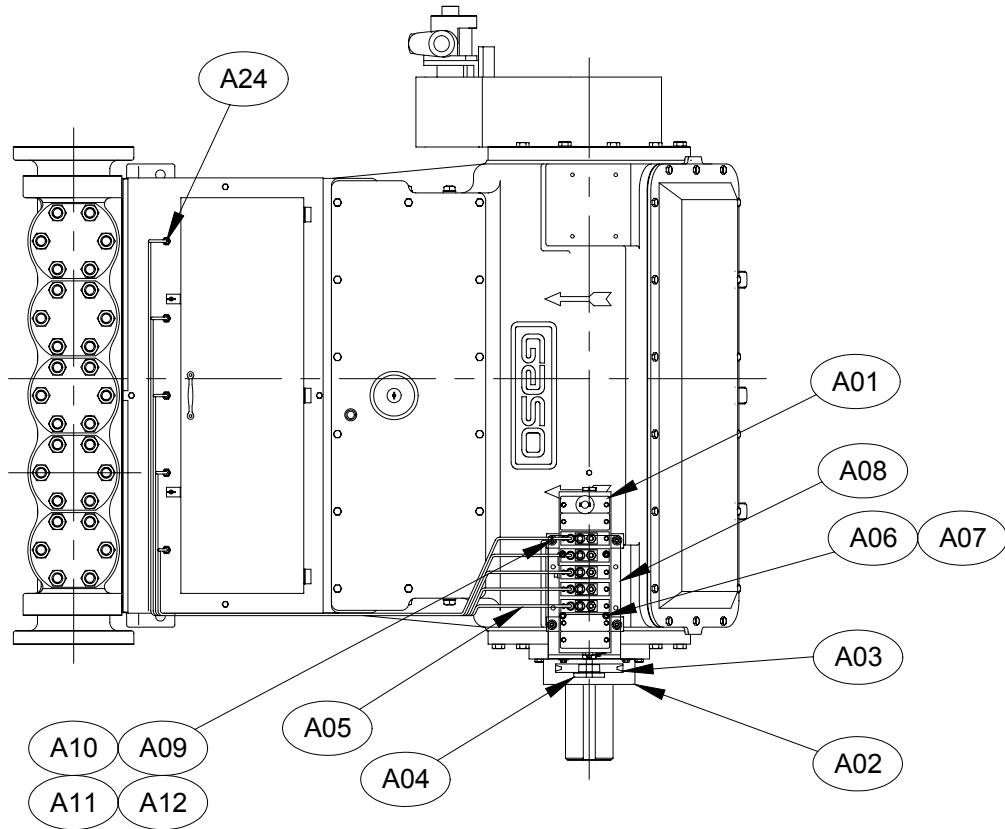
**350Q QUINTUPLEX
POWER END LUBE ASSEMBLIES**



<u>ITEM NO.</u>	<u>PART NUMBER</u>	<u>QTY.</u>	<u>PART DESCRIPTION</u>
L04	GAS-107153-000	4	ADAPTER,90 ⁰ , 16MJIC X 16MNPT
L16	GAS-103838-000	1	GUARD
L39	100-038034-290	2	CAP SCREW, 3/8



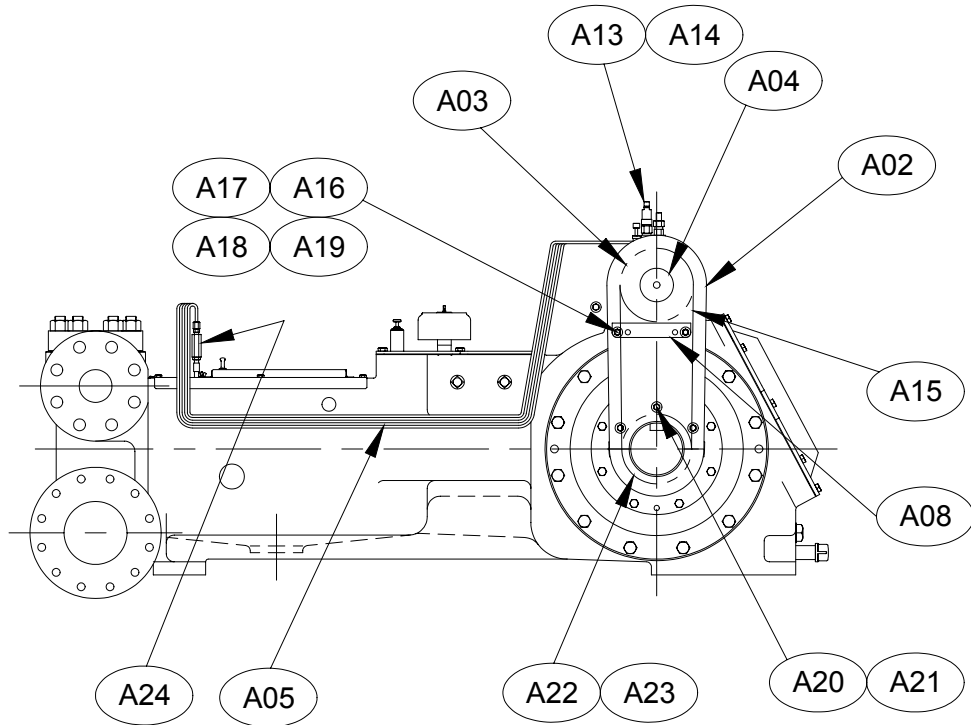
**350Q QUINTUPLEX
POWER END LUBE ASSEMBLIES**



<u>ITEM NO.</u>	<u>PART NUMBER</u>	<u>QTY.</u>	<u>PART DESCRIPTION</u>
A01	001-011154-999	1	LUBRICATOR F/LHD DRIVE SIDE
OR	GAS-105239-000	1	LUBRICATOR F/RHD DRIVE SIDE
A02	GAS-114005-C02	1	GUARD
A03	419-101079-999	1	SHEAVE, DRIVEN
A04	420-020509-019	1	HUB, SDS
A05	330-002003-365	600"	TUBING, 1/4"
A06	100-038034-290	4	CAP SCREW, 3/8 X 3/4
A07	154-038068-286	4	LOCK WASHER, 3/8
A08	GAS-105243-C05	1	MOUNTING BRACKET
A09	104-038234-286	4	STUD, 3/8 X 2-3/4
A10	155-038100-286	8	FLAT WASHER, 3,8
A11	154-038068-286	4	LOCK WASHER, 3/8
A12	133-038016-286	12	NUT, 3/8
A24	GAS-105240-000	5	CHECK VALVE



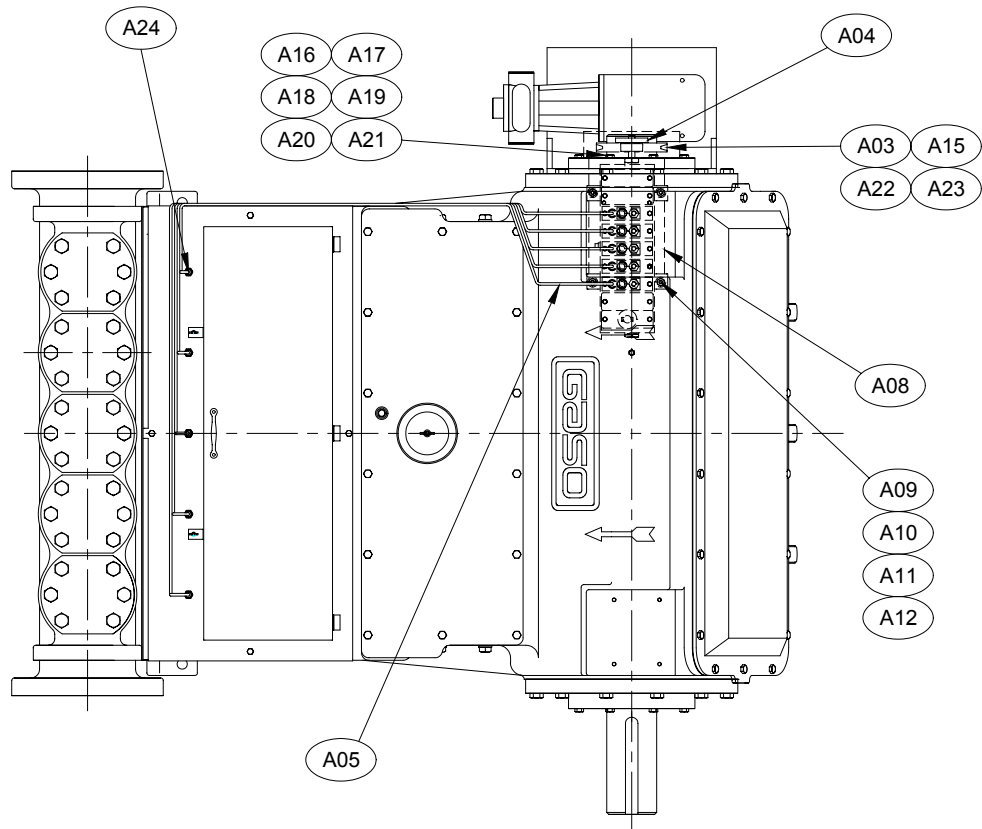
**350Q QUINTUPLEX
PACKING LUBE ASSEMBLIES**



<u>ITEM NO.</u>	<u>PART NUMBER</u>	<u>QTY.</u>	<u>PART DESCRIPTION</u>
A02	GAS-114005-C02	1	GUARD
A03	419-101079-999	1	SHEAVE, DRIVEN
A04	420-020509-019	1	HUB, SDS
A05	330-002003-365	600"	TUBING, 1/4"
A08	GAS-105243-C05	1	MOUNTING BRACKET
A09	104-038234-286	4	STUD, 3/8 X 2-3/4
A13	GAS-105264-000	5	PUMP ASSY ONLY, W/GASKET
A14	GAS-105265-000	5	SIGHT GLASS, REPLACEMENT
A15	421-100000-008	51"	LINK BELT
A16	100-038100-290	2	CAP SCREW, 3/8 X 1
A17	155-038100-286	2	FLAT WASHER, 3/8
A18	154-038068-286	2	LOCK WASHER, 3/8
A19	133-038016-286	2	NUT, 3/8
A20	100-038034-290	3	CAP SCREW, 3/8 X 3/4
A21	155-038100-286	3	FLAT WASHER, 3/8
A22	GAS-107964-000	1	SHEAVE, DRIVER
A23	324-516012-220	2	SET SCREW
A24	GAS-105240-000	5	CHECK VALVE



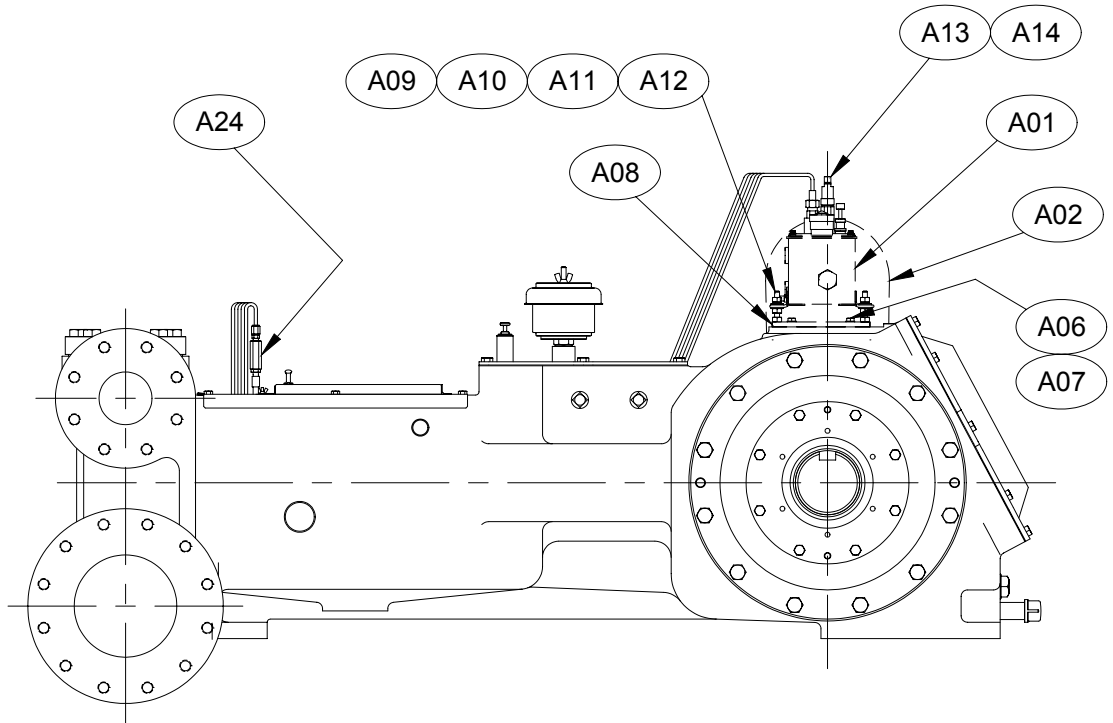
**350Q QUINTUPLEX
PACKING LUBE ASSEMBLIES**



ITEM NO.	PART NUMBER	QTY.	PART DESCRIPTION
A03	419-101079-999	1	SHEAVE, DRIVEN
A04	420-020509-019	1	HUB, SDS
A05	330-002003-365	600"	TUBING, 1/4"
A08	GAS-105243-C05	1	MOUNTING BRACKET
A09	104-038234-286	4	STUD, 3/8 X 2-3/4
A10	155-038100-286	8	FLAT WASHER, 3,8
A11	154-038068-286	4	LOCK WASHER, 3/8
A12	133-038016-286	12	NUT, 3/8
A15	GAS-105221-000	1	V-BELT
A16	100-038100-290	2	CAP SCREW, 3/8 X 1
A17	155-038100-286	2	FLAT WASHER, 3/8
A18	154-038068-286	2	LOCK WASHER, 3/8
A19	133-038016-286	2	NUT, 3/8
A20	100-038034-290	3	CAP SCREW, 3/9 X 3/4
A21	155-038100-286	3	FLAT WASHER, 3/8
A22	GAS-105210-000	1	SHEAVE, DRIVER
A23	324-516012-220	2	SET SCREW
A24	GAS-105240-000	5	CHECK VALVE



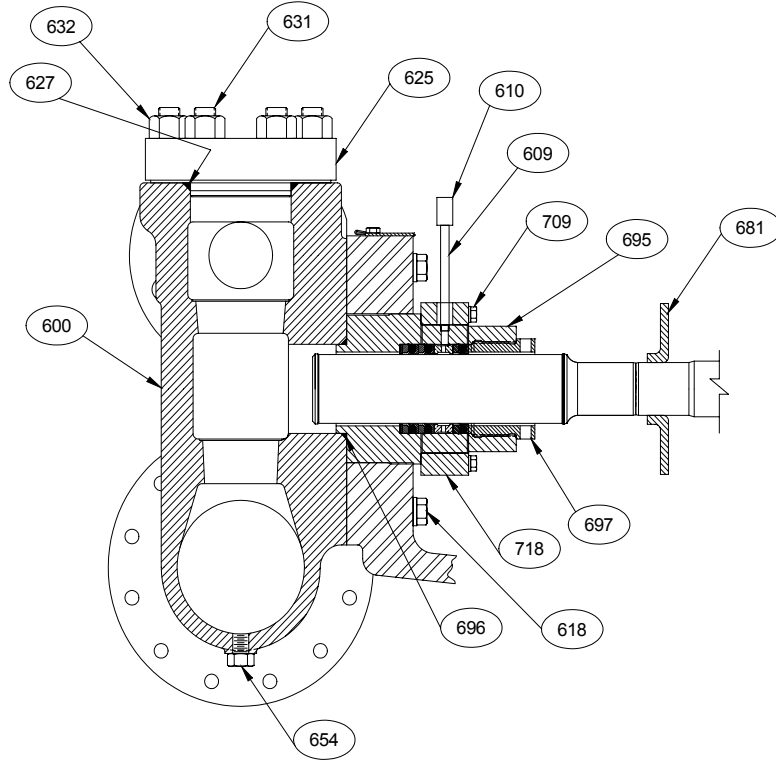
**350Q QUINTUPLEX
PACKING LUBE ASSEMBLIES**



<u>ITEM NO.</u>	<u>PART NUMBER</u>	<u>QTY.</u>	<u>PART DESCRIPTION</u>
A01	GAS-105239-000	1	LUBRICATOR F/LHD RECIP PUMP
OR	001-011154-999	1	LUBRICATOR F/RHD RECIP PUMP
A02	GAS-112370-000	1	GUARD
A06	100-038034-290	4	CAP SCREW, 3/8 X 3/4
A07	154-038068-286	4	LOCK WASHER, 3/8
A08	GAS-105243-C05	1	MOUNTING BRACKET
A09	104-038234-286	4	STUD, 3/8 X 2-3/4
A10	155-038100-286	8	FLAT WASHER, 3,8
A11	154-038068-286	4	LOCK WASHER, 3/8
A12	133-038016-286	12	NUT, 3/8
A13	GAS-105264-000	5	PUMP ASSY NLY, W/GASKET
A14	GAS-105265-000	5	SIGHT GLASS, REPLACEMENT
A24	GAS-105240-000	5	CHECK VALVE



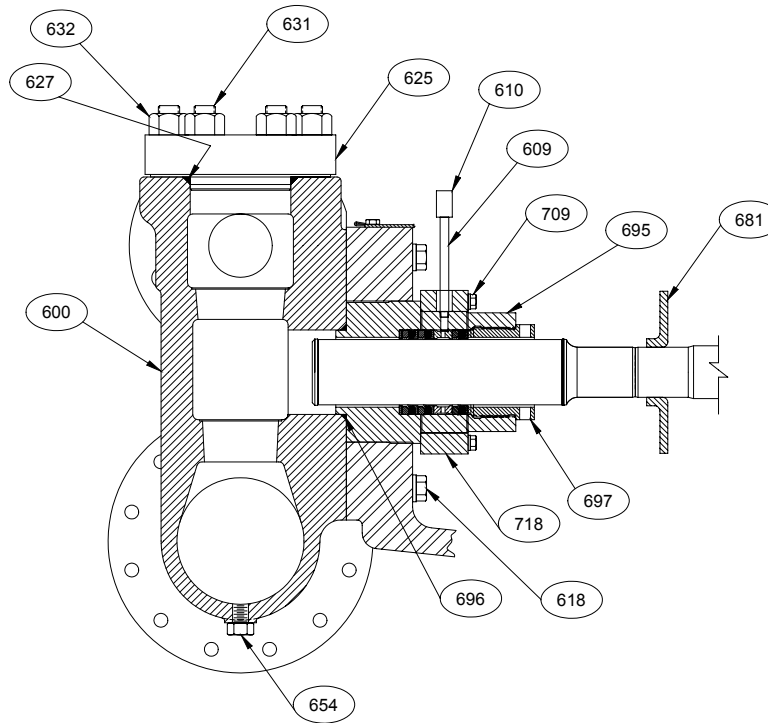
**350Q QUINTUPLEX
PACKING LUBE ASSEMBLIES**



<u>ITEM NO.</u>	<u>PART NUMBER</u>	<u>QTY.</u>	<u>PART DESCRIPTION</u>
600	AAA-101784-594	1	LIQUID END, CDSS
OR	GAS-101784-000	1	LIQUID END, CAST NAB
609	GAS-103982-000	5	NIPPLE, 1/8 X 5
610	163-018300-220	5	PIPE COUPLING, 1/8
618	100-114400-XXX	12	CAPSCREW
286 = HIGH STRENGTH STEEL: 287 = CORROSION RESISTANT STEEL			
625	AAB-103718-594	5	VALVE COVER, DPSS
OR	GAS-103718-A03	5	VALVE COVER, BRZ
627	110-000427-200	5	O-RING
631	102-100414-XXX	30	STUD
632	133-100008-XXX	30	NUT
286 = HIGH STRENGTH STEEL: 287 = CORROSION RESISTANT STEEL			
654	170-034002-278	5	PIPE PLUG, SS
681	GAS-107128-G14	5	BAFFLE DISC



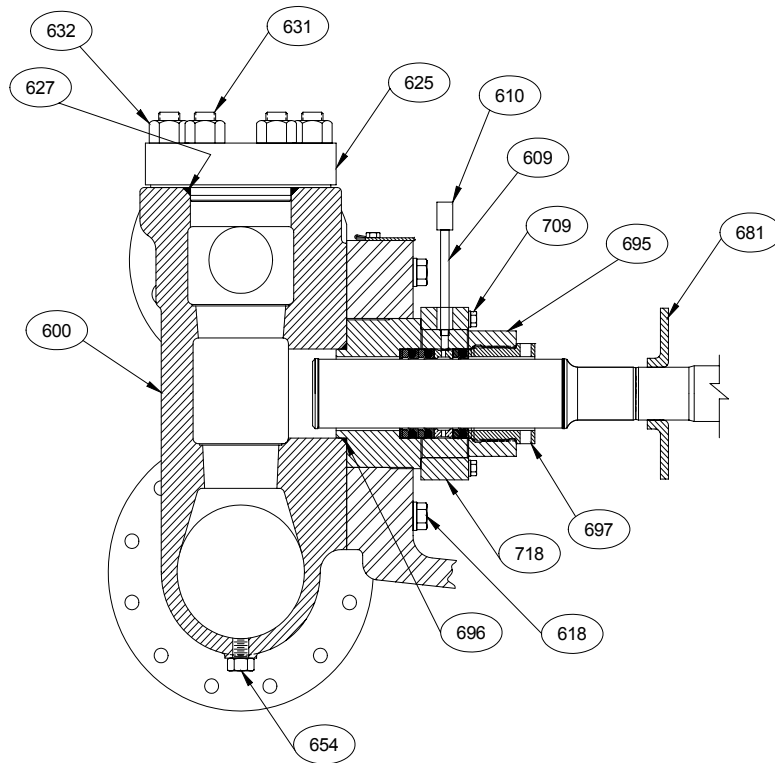
**350Q-5M LIQUID END
ASSEMBLY**
BOLTED COVER – CLAMPED STFG. BOX



<u>ITEM NO.</u>	<u>PART NUMBER</u>	<u>QTY.</u>	<u>PART DESCRIPTION</u>
695	GAS-103721-A03	5	STUFFING BOX, 2-1/4", BRZ
OR	GAS-107143-A03	5	STUFFING BOX, 2-3/8", BRZ
OR	GAS-103722-A03	5	STUFFING BOX, 2-1/2"-2-3/4", BRZ
OR	AAB-103722-594	5	STUFFING BOX, 2-1/2"-2-3/4", DPSS
OR	GAS-114244-B06	5	STUFFING BOX, 2-1/2"-2-3/4", 316 SS
OR	GAS-103723-A03	5	STUFFING BOX, 2-7/8"-3-1/4", BRZ
OR	ABB-103722-594	5	STUFFING BOX, 2-7/8"-3-1/4", DPSS
OR	GAS-112636-B06	5	STUFFING BOX, 2-7/8"-3-1/4" 316 SS
696	100-000345-200	5	O-RING
697	GAS-103561-A03	5	GLAND NUT, 2-1/4", BRZ
OR	GAS-103563-B17	5	GLAND NUT, 2-1/4", NI 60 SS
OR	GAS-106087-A03	5	GLAND NUT, 2-3/8", BRZ
OR	GAS-106089-B17	5	GLAND NUT, 2-3/8", NI 60 SS



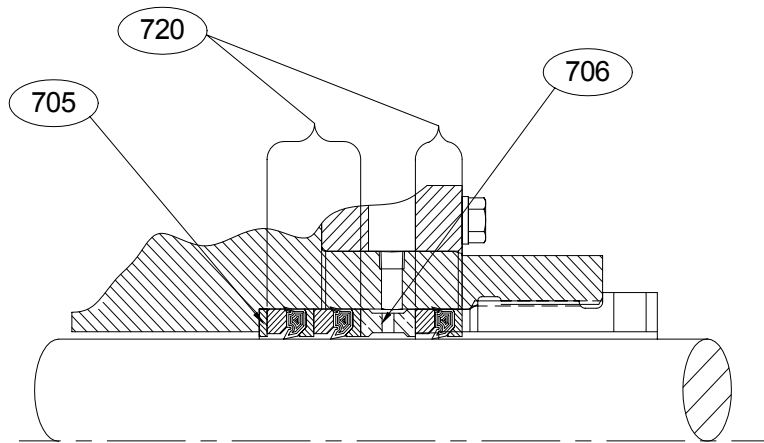
**350Q-5M LIQUID END
ASSEMBLY**
BOLTED COVER – CLAMPED STFG. BOX



ITEM NO.	PART NUMBER	QTY.	PART DESCRIPTION
697	GAS-103728-C01	5	GLAND NUT, 2-1/2", BRZ
OR	AAC-101713-E29	5	GLAND NUT, 2-1/2", DPSS
OR	GAS-103729-C01	5	GLAND NUT, 2-5/8", BRZ
OR	GAS-103730-C01	5	GLAND NUT, 2-3/4", BRZ
OR	AGC-101713-308	5	GLAND NUT, 2-7/8", BRZ
OR	AGC-101713-E29	5	GLAND NUT, 2-7/8", DPSS
OR	GAS-103731-C01	5	GLAND NUT, 3", BRZ
OR	GAS-106136-C01	5	GLAND NUT, 3-1/8", BRZ
OR	AJC-101713-E16	5	GLAND NUT, 3-1/8", SS/XYLAN
OR	GAS-103732-C01	5	GLAND NUT, 3-1/4", BRZ
OR	GAS-112637-B29	5	GLAND NUT, 3-1/4", SS/MYGD
709	100-100634-XXX	20	CAP SCREW
290 = HIGH STRENGTH STEEL: 287 = CORROSION RESISTANT STEEL			
718	GAS-103727-C05	5	CLAMP RING

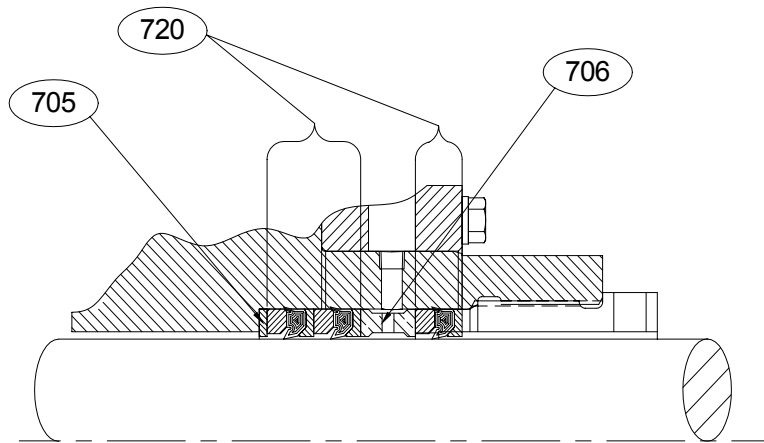


**350Q-5M LIQUID END
ASSEMBLY**
BOLTED COVER – CLAMPED STFG. BOX



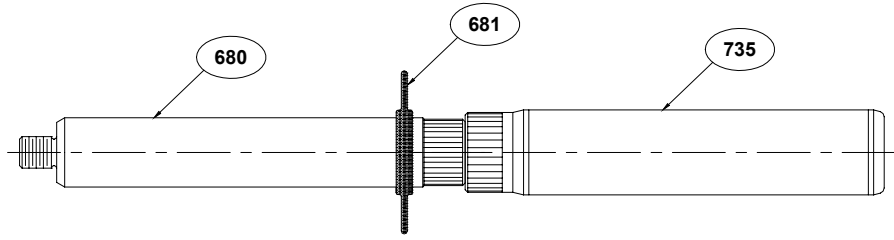
<u>ITEM NO.</u>	<u>PART NUMBER</u>	<u>QTY.</u>	<u>PART DESCRIPTION</u>
705	NOT USED	5	BOTTOM ADAPTER, 2-1/4"
OR	NOT USED	5	BOTTOM ADAPTER, 2-3/8"
OR	HEC-103259-XXX	5	BOTTOM ADAPTER, 2-1/2"
OR	NOT USED	5	BOTTOM ADAPTER, 2-5/8"
OR	NOT USED	5	BOTTOM ADAPTER, 2-3/4"
OR	NOT USED	5	BOTTOM ADAPTER, 2-7/8"
OR	JRC-103259-XXX	5	BOTTOM ADAPTER, 3"
OR	JVC-103259-XXX	5	BOTTOM ADAPTER, 3-1/8"
OR	NOT USED	5	BOTTOM ADAPTER, 3-1/4"
302 = BRONZE: 278 = SS: 236 = CARBON STEEL: 351 = DUCTILE IRON			
706	GAS-103741-B24	5	LANTERN RING, 2-1/4", BRZ
OR	GAS-103742-B24	5	LANTERN RING, 2-3/8", BRZ
OR	GAS-103743-B24	5	LANTERN RING, 2-1/2", BRZ
OR	GAS-103744-B24	5	LANTERN RING, 2-5/8", BRZ
OR	GAS-103745-B24	5	LANTERN RING, 2-3/4", BRZ



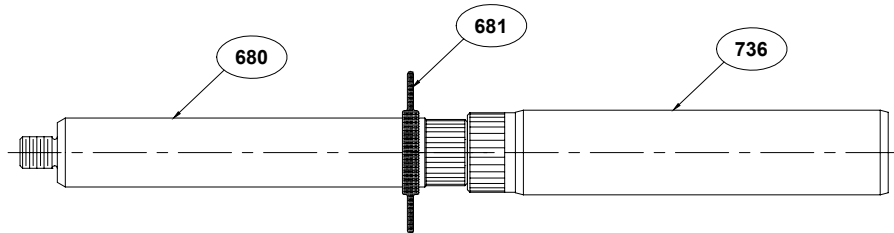


ITEM NO.	PART NUMBER	QTY.	PART DESCRIPTION
706	BLB-103284-302	5	LANTERN RING, 2-7/8", BRZ
OR	GAS-103284-B24	5	LANTERN RING, 3". BRZ
OR	GAS-103285-B24	5	LANTERN RING, 3-1/8", BRZ
OR	AQB-103284-278	5	LANTERN RING, 3-1/8", SS
OR	GAS-103391-B24	5	LANTERN RING, 3-1/4", BRZ
720	GAS-103077-000	5	PACKING SET, "J", 2-1/4", 838
OR	GAS-101689-000	5	PACKING SET, "J", 2-3/8", 838
OR	GAS-103738-000	5	PACKING SET, "J", 2-1/2", 838
OR	GAS-103845-000	5	PACKING SET, "J", 2-5/8", 838
OR	GAS-103765-000	5	PACKING SET, "J", 2-3/4", 838
OR	218-278258-370	5	PACKING SET, "J", 2-7/8", 838
OR	GAS-103281-000	5	PACKING SET, "J", 3", 838
OR	GAS-101732-000	5	PACKING SET, "J", 3-1/8"
OR	GAS-103355-000	5	PACKING SET, "J", 3-1/4"





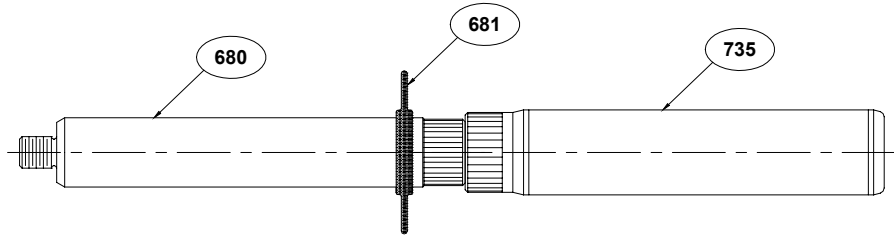
<u>ITEM NO.</u>	<u>PART NUMBER</u>	<u>QTY.</u>	<u>PART DESCRIPTION</u>
680	AAB-103848-402	5	PONY ROD
681	GAS-107128-G14	5	BAFFLE DISC
735	GAS-103865-E22	5	PLUNGER, HARD COAT, 2-1/4"
OR	GAS-107131-E22	5	PLUNGER, HARD COAT, 2-3/8"
OR	GAS-103866-E22	5	PLUNGER, HARD COAT, 2-1/2"
OR	AAC-103867-E22	5	PLUNGER HARD COAT, 2-5/8"
OR	GAS-103867-E22	5	PLUNGER HARD COAT, 2-3/4"
OR	ACC-103867-E22	5	PLUNGER HARD COAT, 2-7/8"
OR	GAS-103868-E22	5	PLUNGER HARD COAT, 3"
OR	GAS-103869-E22	5	PLUNGER HARD COAT, 3-1/8"
OR	GAS-103870-E22	5	PLUNGER HARD COAT, 3-1/4"



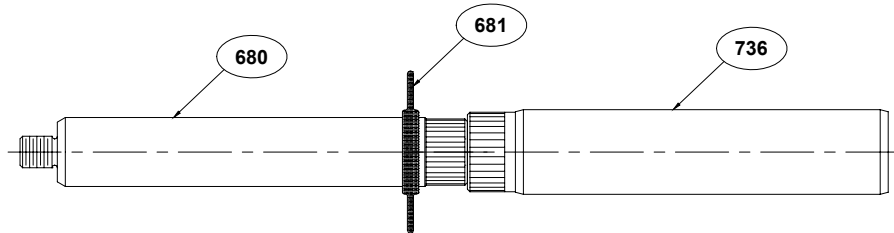
<u>ITEM NO.</u>	<u>PART NUMBER</u>	<u>QTY.</u>	<u>PART DESCRIPTION</u>
680	AAB-103848-402	5	PONY ROD
681	GAS-107128-G14	5	BAFFLE DISC
736	GAS-103854-E33	5	PLUNGER, CERAMIC, 2-1/4"
OR	GAS-107129-E33	5	PLUNGER, CERAMIC, 2-3/8"
OR	GAS-103855-E33	5	PLUNGER, CERAMIC, 2-1/2"
OR	GAS-114591-E33	5	PLUNGER, CERAMIC, 2-5/8"
OR	GAS-103856-E33	5	PLUNGER, CERAMIC, 2-3/4"
OR	ACC-103856-E33	5	PLUNGER, CERAMIC, 2-7/8"
OR	GAS-103857-E33	5	PLUNGER, CERAMIC, 3"
OR	GAS-106128-E33	5	PLUNGER, CERAMIC, 3-1/8"
OR	GAS-103858-E33	5	PLUNGER, CERAMIC, 3-1/4"



**350Q-5M QUINTUPLEX
"TWO - PIECE" PLUNGER
HARD FACED & CERAMIC**



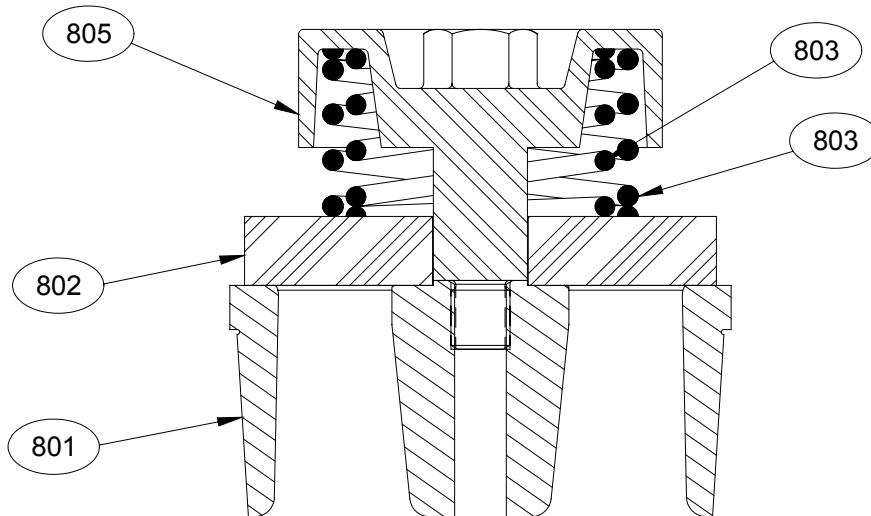
ITEM NO.	PART NUMBER	QTY.	PART DESCRIPTION
680	AAB-103848-402	5	PONY ROD
681	GAS-107128-G14	5	BAFFLE DISC
743	GAS-107133-E23	5	PLUNGER, S157, 2-1/4"
OR	GAS-107134-E23	5	PLUNGER, S157, 2-3/8"
OR	GAS-107135-E23	5	PLUNGER, S157, 2-1/2"
OR	GAS-107789-E23	5	PLUNGER, S157, 2-5/8"
OR	GAS-106129-E23	5	PLUNGER, S157, 2-3/4"
OR	ACC-103867-E23	5	PLUNGER, S157, 2-7/8"
OR	GAS-106130-E23	5	PLUNGER, S157, 3"
OR	GAS-106131-E23	5	PLUNGER, S157, 3-1/8"
OR	GAS-106132-E23	5	PLUNGER, S157, 3-1/4"



ITEM NO.	PART NUMBER	QTY.	PART DESCRIPTION
680	AAB-103848-402	5	PONY ROD
681	GAS-107128-G14	5	BAFFLE DISC
742	ABC-103856-E26	5	PLUNGER, TUNGSTEN ALLOY, 2-1/4"
OR	ACC-103856-E26	5	PLUNGER, TUNGSTEN ALLOY, 2-3/8"
OR	ADC-103856-E26	5	PLUNGER, TUNGSTEN ALLOY, 2-1/2"
OR	AAC-103867-E26	5	PLUNGER, TUNGSTEN ALLOY, 2-5/8"
OR	ABC-103867-E26	5	PLUNGER, TUNGSTEN ALLOY, 2-3/4"
OR	ACC-103867-E26	5	PLUNGER, TUNGSTEN ALLOY, 2-7/8"
OR	ADC-103867-E26	5	PLUNGER, TUNGSTEN ALLOY, 3"
OR	AEC-103867-E26	5	PLUNGER, TUNGSTEN ALLOY, 3-1/8"
OR	GAS-112869-000	5	PLUNGER, TUNGSTEN ALLOY, 3-1/4"



**350Q-5M QUINTUPLEX
"TWO - PIECE" PLUNGER
HARD FACED**

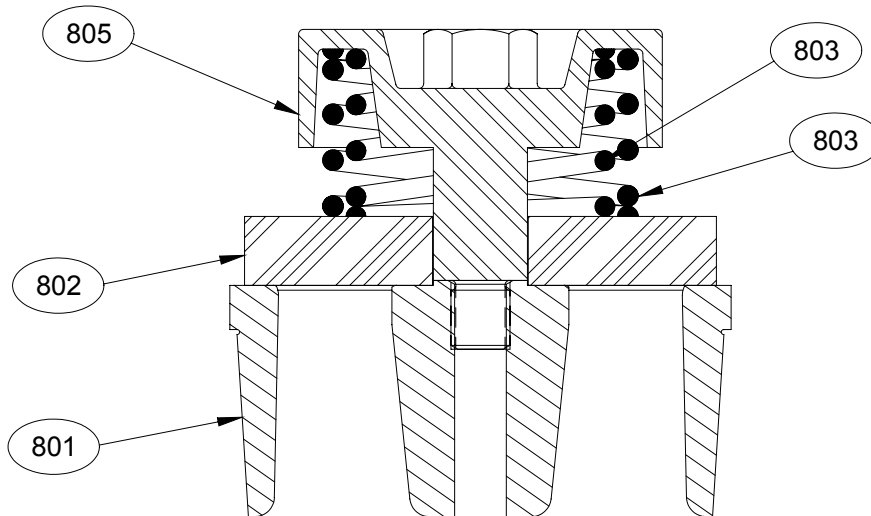


ITEM NO.	PART NUMBER	QTY.	PART DESCRIPTION
800	GAS-109598-000	5	DISCHARGE VALVE ASSY, CF8M/SS
EACH ASSEMBLY CONSISTS OF THE FOLLOWING ITEMS:			
801	GAS-109551-A05	1	SEAT, CF8M STN. STL.
802	GAS-109334-B23	1	DISC, 316 STN. STL.
803	GAS-108706-B16	1	OUTER SPRING
803	GAS-108703-B16	1	INNER SPRING
805	GAS-108713-A05	1	RETAINER, CF8M STN. STL.

ITEM NO.	PART NUMBER	QTY.	PART DESCRIPTION
800	GAS-109184-000	5	SUCTION VALVE ASSY, CF8M/SS
EACH ASSEMBLY CONSISTS OF THE FOLLOWING ITEMS:			
801	GAS-109151-A05	1	SEAT, CF8M STN. STL.
802	GAS-109160-B23	1	DISC, 316 STN. STL.
803	GAS-108706-B16	1	OUTER SPRING
803	GAS-108703-B16	1	INNER SPRING
805	GAS-108713-A05	1	RETAINER, CF8M STN. STL.



**350Q-5M QUINTUPLEX
DISC VALVE ASSEMBLY**



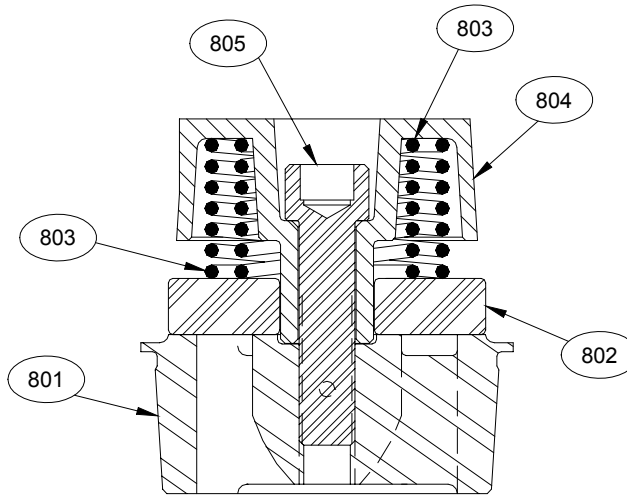
ITEM NO.	PART NUMBER	QTY.	PART DESCRIPTION
800	GAS-109586-000	5	DISCHARGE VALVE ASSY, CF8M/DEL
EACH ASSEMBLY CONSISTS OF THE FOLLOWING ITEMS:			
801	GAS-109551-A05	1	SEAT, CF8M STN. STL.
802	GAS-109331-G10	1	DISC, DELRIN
803	GAS-108706-B16	1	OUTER SPRING
803	GAS-108703-B16	1	INNER SPRING
805	GAS-109328-A05	1	RETAINER, CF8M STN. STL.

ITEM NO.	PART NUMBER	QTY.	PART DESCRIPTION
800	GAS-109180-000	5	SUCTION VALVE ASSY, CF8M/DEL
EACH ASSEMBLY CONSISTS OF THE FOLLOWING ITEMS:			
801	GAS-109151-A05	1	SEAT, CF8M STN. STL.
802	GAS-109157-G10	1	DISC, DELRIN
803	GAS-108706-B16	1	OUTER SPRING
803	NOT APPLICABLE	1	INNER SPRING
805	GAS-108713-A05	1	RETAINER, CF8M STN. STL.



NATIONAL OILWELL

**Q350 QUINTUPLEX
DISC VALVE ASSEMBLY
STANDARD**

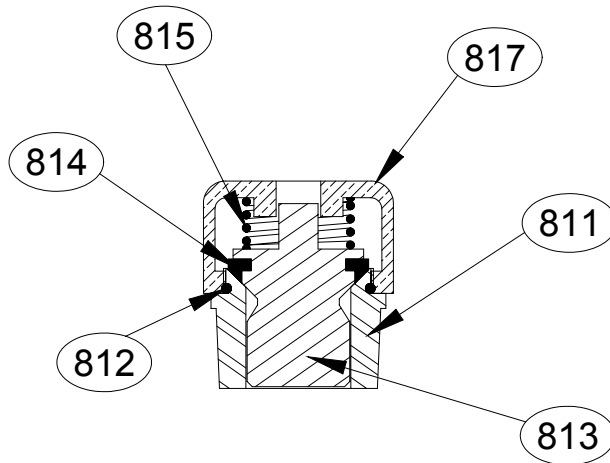


ITEM NO.	PART NUMBER	QTY.	PART DESCRIPTION
800	GAS-C09598-000	5	DISCHARGE VALVE ASSY, CF8M/TI
EACH ASSEMBLY CONSISTS OF THE FOLLOWING ITEMS:			
801	CAA-90S010-000	1	SEAT, CF8M STN. STL.
802	CAA-TV0900-000	1	DISC, TITANIUM
803	CAA-S89000-000	1	OUTER SPRING
803	CAA-S90000-000	1	INNER SPRING
804	CAA-R2BS00-000	1	RETAINER, CF8M STN. STL.
805	CAA-F02000-000	1	CAP SCREW, MONEL

ITEM NO.	PART NUMBER	QTY.	PART DESCRIPTION
800	GAS-C09184-000	5	SUCTION VALVE ASSY, CF8M/TI
EACH ASSEMBLY CONSISTS OF THE FOLLOWING ITEMS:			
801	CAA-98S540-000	1	SEAT, CF8M STN. STL.
802	CAA-TV0900-000	1	DISC, TITANIUM
803	CAA-S89000-000	1	OUTER SPRING
803	CAA-S90000-000	1	INNER SPRING
804	CAA-R2BS00-000	1	RETAINER, CF8M STN. STL.
805	CAA-F02000-000	1	CAP SCREW, MONEL



**350Q-5M QUINTUPLEX
DISC VALVE ASSEMBLY**



"AR" VALVE ASSEMBLY

ITEM NO.	PART NUMBER	QTY.	PART DESCRIPTION
840	GAS-113738-000	5	DISCHARGE VALVE ASSY, "AR"
EACH ASSEMBLY CONSISTS OF THE FOLLOWING ITEMS:			
811	GAS-113738-001	1	SEAT
812	001-028572-002	1	THREAD LOCK
813	001-028572-004	1	VALVE BODY
814	001-028572-003	1	INSERT
815	001-028572-005	1	SPRING
817	001-028572-006	1	RETAINER/CAGE

ITEM NO.	PART NUMBER	QTY.	PART DESCRIPTION
800	GAS-108062-000	5	SUCTION VALVE ASSY, "AR"
EACH ASSEMBLY CONSISTS OF THE FOLLOWING ITEMS:			
811	GAS-108062-001	1	SEAT,
812	001-028572-002	1	THREAD LOCK
813	001-028572-004	1	VALVE BODY
814	001-028572-003	1	INSERT
815	001-028572-005	1	SPRING
817	001-028572-006	1	RETAINER/CAGE



**350Q-5M QUINTUPLEX
"AR" VALVE ASSEMBLY**