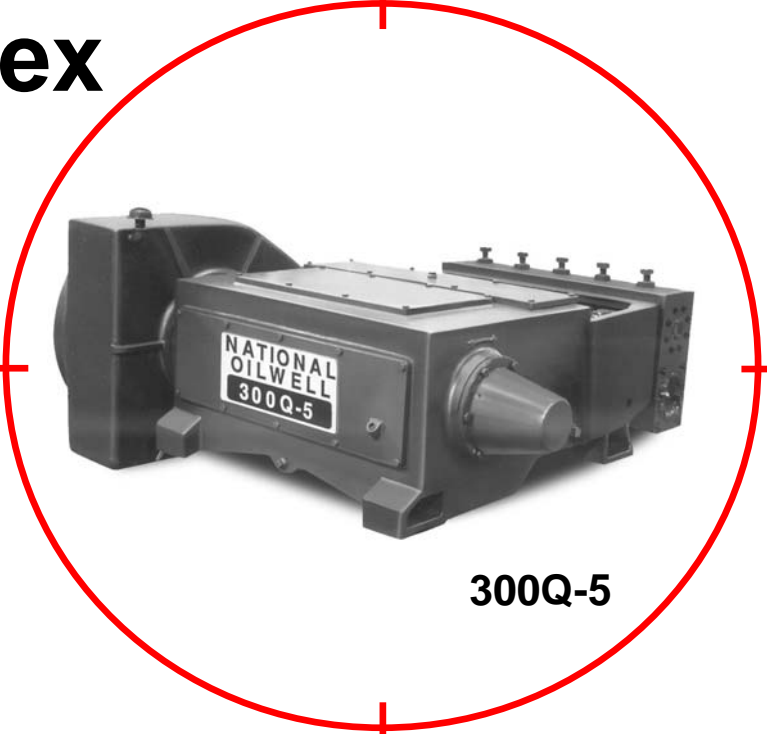
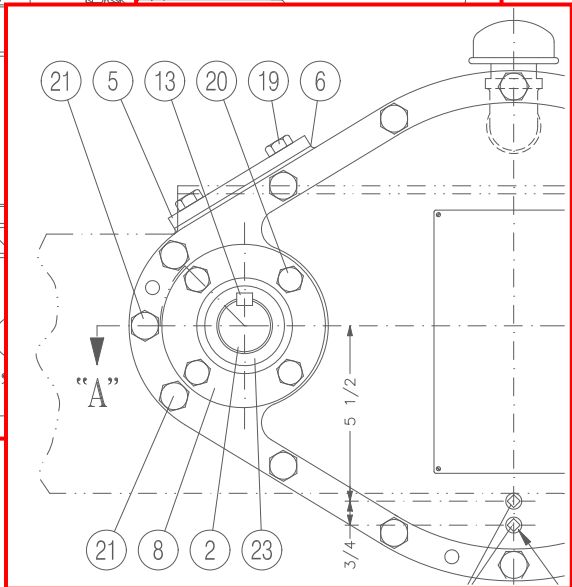
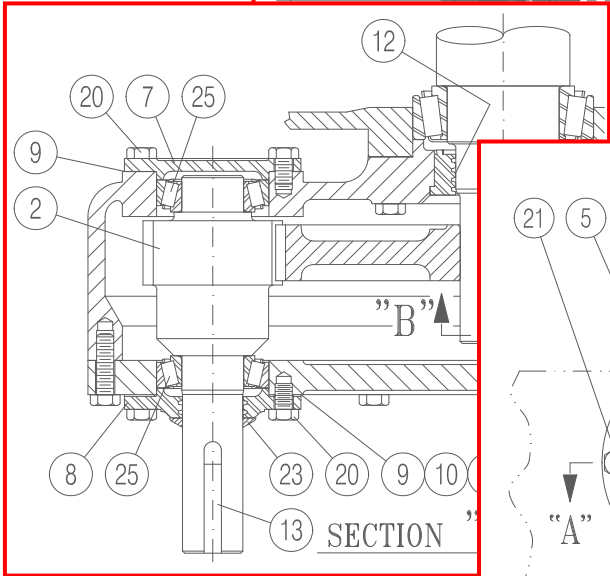
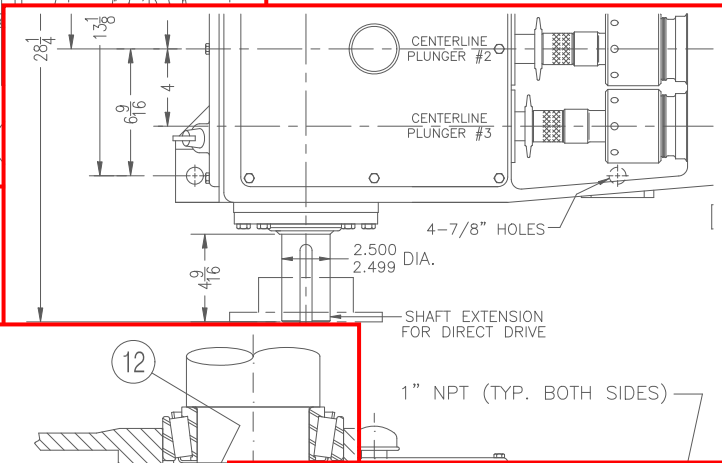
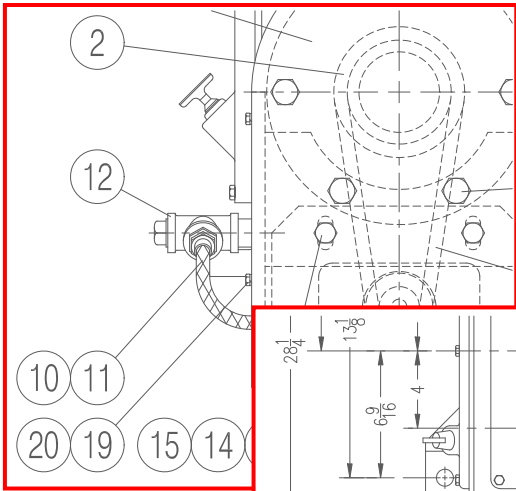


300Q-5 Quintuplex Plunger Pump

Parts List



300Q-5

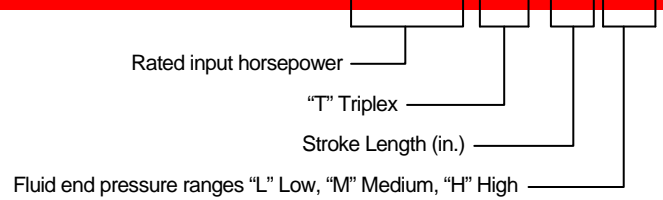


Types:
 300Q-5L
 300Q-5M
 300Q-5H

Sales / Technical Information

USA Tollfree: 1-800-324-4706
 Phone: 1 (918) 447-4600
 Fax: 1 (918) 447-4677
 Internet: <http://www.nov.com>

REVISED: AUGUST 21, 2007
 REVISED: JULY 13, 2006
 REVISED: FEBRUARY 10, 2005
 ISSUE: MARCH 1, 2000

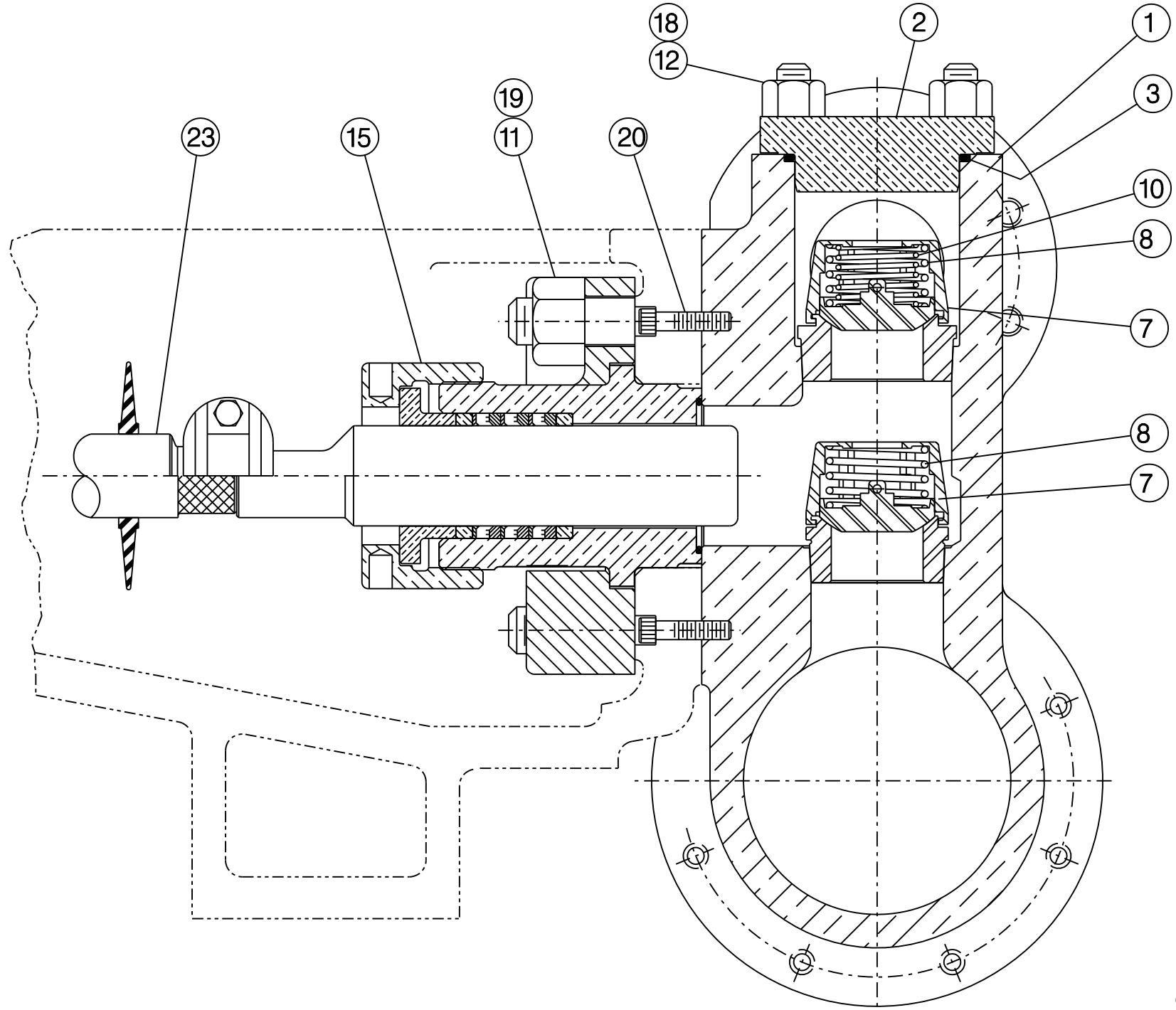


Index and Check List:

PAGE	DWG. NUMBER	DESCRIPTION	SERIES OF ISSUE	DATE OF ISSUE
1	1716371	ASSEMBLY, FLUID END, 300Q-5L – ALUM. BRZ.	THIRD	8-21-07
2	1716372	ASSEMBLY, FLUID END, 300Q-5M – ALUM. BRZ.	THIRD	8-21-07
3	1716373	ASSEMBLY, FLUID END, 300Q-5H – ALUM. BRZ.	THIRD	8-21-07
4	1716375	POWER END ASSEMBLY	FOURTH	7-31-07
5	1716376	CRANKSHAFT ASSEMBLY	FIRST	8-15-95
6	1716367	SEVERE DUTY VALVE ASSEMBLY	FIRST	8-21-07
7	1716368	CAGE VALVE SERVICE – S.S. PLATE, BOTTOM GUIDED AND BALL AND SEAT	FIRST	8-15-95
8	1716369	VALVE SERVICE KITS, SPHERICAL TAPERED SEAT	SECOND	1-19-06
9	1716370	VALVE SERVICE KITS – NOV TAPERED SEAT AND CAGE TYPE	SECOND	1-19-06
10	1716374	GEAR REDUCER ASSEMBLY (ALL RATIOS)	FIRST	8-15-95
11	1716360	PLUNGER KIT ASSEMBLY – 300Q-5L AND 5M	FIRST	8-15-95
12	1716361	PLUNGER KIT ASSEMBLY – 300Q-5H	FIRST	8-15-95
13	1716365	S.S. PLUNGER KITS W/ KEVLAR PACKING – 300Q-5L AND 5M	SECOND	10-17-00
14	1716366	S.S. PLUNGER KITS W/ KEVLAR PACKING – 300Q-5L, 5M AND 5H	FIRST	8-15-95
15	1716362	PLUNGER W/ INTERM. ROD ASSY. STRAIGHT / TAPERED CLAMP	FIRST	8-15-95
16	1716363	PLUNGER W/ INTERM. ROD ASSY. – D. T. CLAMP (OBSOLETE)	FIRST	8-15-95
17	1716364	PLUNGER W/ INTERM. ROD ASSY. – THREADED PLUNGER	FIRST	8-15-95
18	1716122	LUBRICATOR PIPING ASSY.	SECOND	8-15-95
19	1716132	PIPING, LOW SPEED LUBRICATION	SECOND	1-19-06
20	1716377	OPTIONAL ACCESSORIES	FIRST	8-15-95
21	1716378	LOW PRESSURE IN-LINE SUCTION DAMPENER (WELD-ON)	FIRST	8-15-95
22	1716379	HIGH PRESSURE IN-LINE SUCTION DAMPENER (WELD-ON)	FIRST	8-15-95
23	1716380	300Q-5 OUTLINE DRAWING WITHOUT GEAR REDUCER	FIRST	8-15-95
24	1716381	300Q-5 OUTLINE DRAWING WITH GEAR REDUCER	FIRST	8-15-95

Revisions effective August 21, 2007 – updated logo; drawing number 1716367 was Durabla Tapered Seat; revised pages 1 thru 4.

LTR	DESCRIPTION OF CHANGE	MADE	CHKD	DATE	APPROVED	M NO
B	REMOVED INDIVIDUAL VALVE AND SEAT PART NUMBERS	MTH	RPO	8.21.07		



5	SEE PAGES 15, 16 & 17	INTERMEDIATE ROD (SCREW OR CLAMP TYPE)	23	
△	16	7000487-10	SCREW, 7/8" x 3 1/2" HEX HD CAP (DISCH.)	22
△	16	7000440-11	SCREW, 3/4" x 2" HEX HD CAP (SUCT.)	21
6	7006309	SCREW, 1/2"-13 x 2 1/4" HEX SOC HD CAP	20	
20	6300220	NUT, 1 3/8"-6 HVY HEX	19	
20	6300160	NUT, 1"-8 HVY HEX	18	
△	2	6908031	RING, OVAL JOINT R-37	17
△	2	6010023	GASKET, 8" 150* FLAT RING	16
5	SEE PAGES 11, 12, 13 & 14	STD. PLUNGER KIT SELECTION	15	
⊗	2	*1072	CAPLUG - DISCH. FLG.	14
⊗	2	*1128	CAPLUG - SUCT. FLG.	13
20	10000185	STUD, 1" x 3 3/4" LG	12	
20	10032367	STUD, 1 3/8" x 7 1/2" LG.	11	
1	1794026	SPRING, INNER	10	
1	1794023-25	SEAT, VALVE	9	
1	1794025	SPRING, OUTER	8	
1	1794024-6	RETAINER, SPRING	7	
5	1794022-25	VALVE CPT., SPHERICAL DISCHARGE	6	
5	1794020-25	VALVE CPT., SPHERICAL SUCTION	5	
*	1	1712326	BAR, STUFF. BOX ADJ. NUT	4
5	2410031429	PACKING, TOP CYL. COVER	3	
5	1712073	COVER, CYLINDER TOP	2	
1	171624014	CYLINDER ONLY, FLUID (NI-ALUM. BRONZE)	1	

QTY REQ'D	PART NO.	DESCRIPTION	ITEM NO.
	171624214-S	STANDARD ASSY. w/ SPHER. TAPERED SEAT VALVES	
		* ITEM NOT SHOWN FOR CLARITY	
		⊗ FOR SHIPPING PURPOSES ONLY	
		△ SHIPPED SEPERATELY	

LIST OF MATERIAL

SEE PAGE 6 FOR SEVERE DUTY VALVE ASSEMBLY

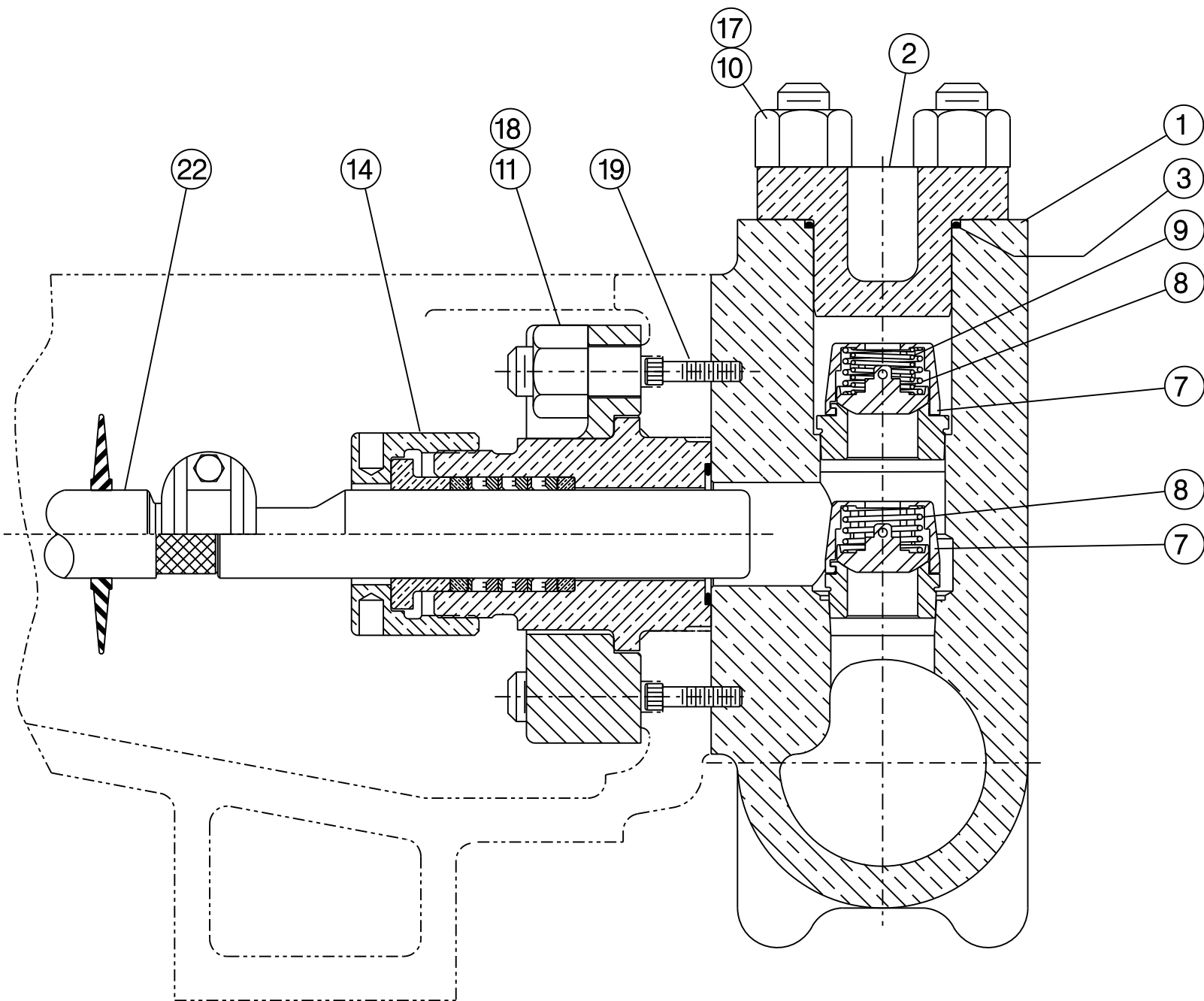


TITLE
FLUID END ASSEMBLY
300Q-5L (J-275-L14SF)

SIZE	REFERENCE No.	DRAWING No.	REV
B		1716371	B

SCALE	EST WT	SHEET
1/4		1 OF 1

LTR	DESCRIPTION OF CHANGE	MADE	CHKD	DATE	APPROVED	M NO
B	REMOVED INDIVIDUAL VALVE AND SEAT PART NUMBERS	MTH	RPO	8.21.07		



*	1	1713049	FLANGE, SUCTION 6" 600* R.J. - WELD NECK	26
*	1	1713048	FLANGE, DISCHARGE 3" 5000* R.J. - WELD NECK	25
*	1	1713047	FLANGE, SUCTION 6" 600* R.J. - BLIND	24
*	1	1713046	FLANGE, DISCHARGE 3" 5000* R.J. - BLIND	23
	5	SEE PAGES 15, 16 & 17	INTERMEDIATE ROD (SCREW OR CLAMP TYPE)	22
△	8	700065310	SCREW, 1 3/8" x 5" HEX HD CAP (DISCH.)	21
△	8	700057010	SCREW, 1 1/8" x 4 1/2" HEX HD CAP (SUCT.)	20
	6	7006309	SCREW, 1/2"-13 x 2 1/4" HEX SOC HD CAP	19
	20	6300220	NUT, 1 3/8" HVY HEX	18
	20	6300240	NUT, 1 1/2" HVY HEX	17
△	2	6908036	RING, OVAL JOINT R-41 (SUCT.)	16
△	2	6908022	RING, OVAL JOINT R-28 (DISCH.)	15
	5	SEE PAGES 11, 12, 13 & 14	STD. PLUNGER KIT SELECTION	14
⊗	2	*45-A	CAPLUG - DISCH. FLG.	13
⊗	2	*1097	CAPLUG - SUCT. FLG.	12
	20	10032367	STUD, 1 3/8"-6 x 7 1/2" LG.	11
	20	49-010-359	STUD, 1 1/2"-6 x 5 1/2" LG.	10
	1	1793026	SPRING, INNER	9
	1	1793025	SPRING, OUTER	8
	1	1793024-6	RETAINER, SPRING	7
	5	1793022-25	VALVE CPT., SPHERICAL DISCHARGE	6
	5	1793020-25	VALVE CPT., SPHERICAL SUCTION	5
*	1	1712326	BAR, STUFF. BOX ADJ. NUT	4
	5	2410031345	PACKING, TOP CYL. COVER	3
	5	171203314	COVER, CYLINDER TOP	2
	1	171321714	CYLINDER ONLY, FLUID (NI-ALUM. BRONZE)	1
QTY REQ'D	PART NO.		DESCRIPTION	ITEM NO.
	171321914-S		* ITEM NOT SHOWN FOR CLARITY	
	STANDARD ASSY.		⊗ FOR SHIPPING PURPOSES ONLY	
	w/ SPHER. TAPERED SEAT VALVES		△ SHIPPED SEPERATELY	

LIST OF MATERIAL

SEE PAGE 6 FOR SEVERE DUTY VALVE ASSEMBLY

NOV NATIONAL OILWELL VARCO

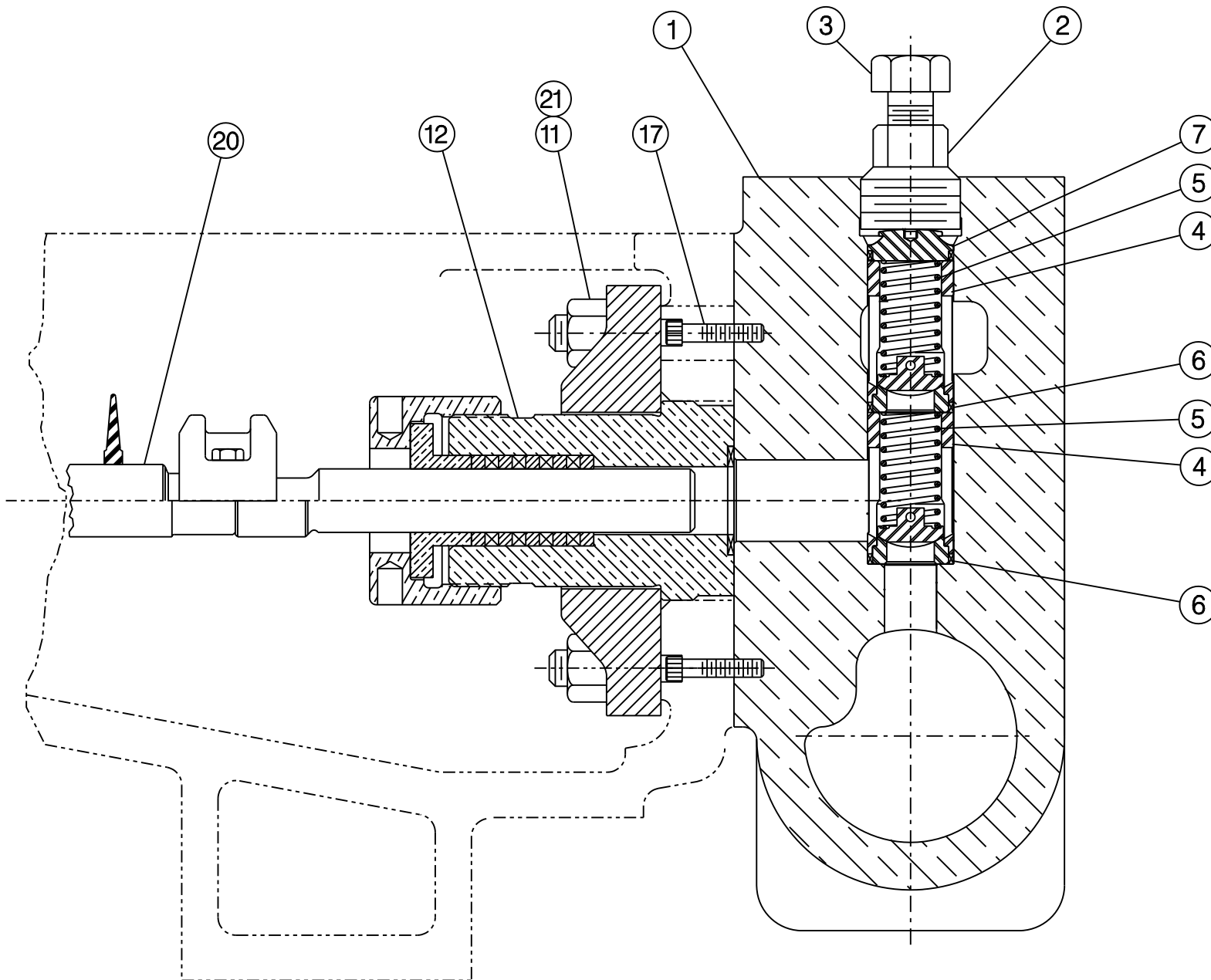
TITLE
FLUID END ASSEMBLY
300Q-5M (J-275-M14SF)

SIZE	REFERENCE No.	DRAWING No.	REV
B		1716372	B

SCALE 1/4 EST WT SHEET 1 OF 1

2

LTR	DESCRIPTION OF CHANGE	MADE	CHKD	DATE	APPROVED	M NO
B	REMOVED INDIVIDUAL VALVE AND SEAT PART NUMBERS	MTH	RPO	8.21.07		



*	1	1713049	FLANGE, SUCTION 6"-600* R.J. - WELD NECK	23
*	1	1713047	FLANGE, SUCTION 6"-600* R.J. - BLIND	22
	20	6300220	NUT, 1 3/8" -6 HVY HEX	21
	5	SEE PAGES 15, 16 & 17	ROD, INTERMEDIATE (CLAMP OR THREADED TYPE)	20
Δ	16	700053010	SCREW, 1" x 4" LG. HEX HD CAP (DISCHARGE)	19
Δ	8	700057010	SCREW, 1/8" x 4 1/2" LG. HEX HD CAP (SUCTION)	18
	6	7006309	SCREW, 1/2" x 2 1/4" LG. HEX SOC HD CAP	17
Δ	2	6908036	RING, OVAL JOINT R-41 (SUCT.)	16
Δ	2	6908019	RING, OVAL JOINT R-26 (DISCH.)	15
⊗	2	*250	CAPLUG, DISCHARGE FLANGE	14
⊗	2	*1097	CAPLUG, SUCTION FLANGE	13
	5	SEE PAGES 11, 12, 13, & 14	STD. PLUNGER KIT OPTIONS	12
	20	10032367	STUD, 1 3/8" x 7 1/2" LG.	11
*	1	1712326	BAR, STUFFING BOX ADJUSTING NUT	10
	10	1717090-25	VALVE CPT, BG CAGE	9
	10	1717090-25	VALVE CPT, SPHERICAL	8
	5	17134172	RETAINER, VALVE CAGE	7
	15	1712373	SEAL, VALVE CAGE	6
	10	1712486	SPRING, BALL VALVE	5
	10	17125854	CAGE, VALVE	4
	5	1713410	SCREW, CAGE LOADING	3
	5	17094842	COVER, CYLINDER TOP	2
	1	171317714	CYLINDER ONLY, FLUID (NI-ALUM. BRONZE)	1
QTY REQ'D	PART NUMBERS		MATERIAL/SPECIFICATION	ITEM NO.

171317914-S	* ITEM NOT SHOWN FOR CLARITY
STANDARD ASSY.	⊗ FOR SHIPPING PURPOSES ONLY
w/ SPHERICAL	Δ SHIPPED SEPERATELY
CAGE VALVES	

LIST OF MATERIAL

SEE PAGE 6 FOR SEVERE DUTY VALVE ASSEMBLY

NOV NATIONAL OILWELL VARCO

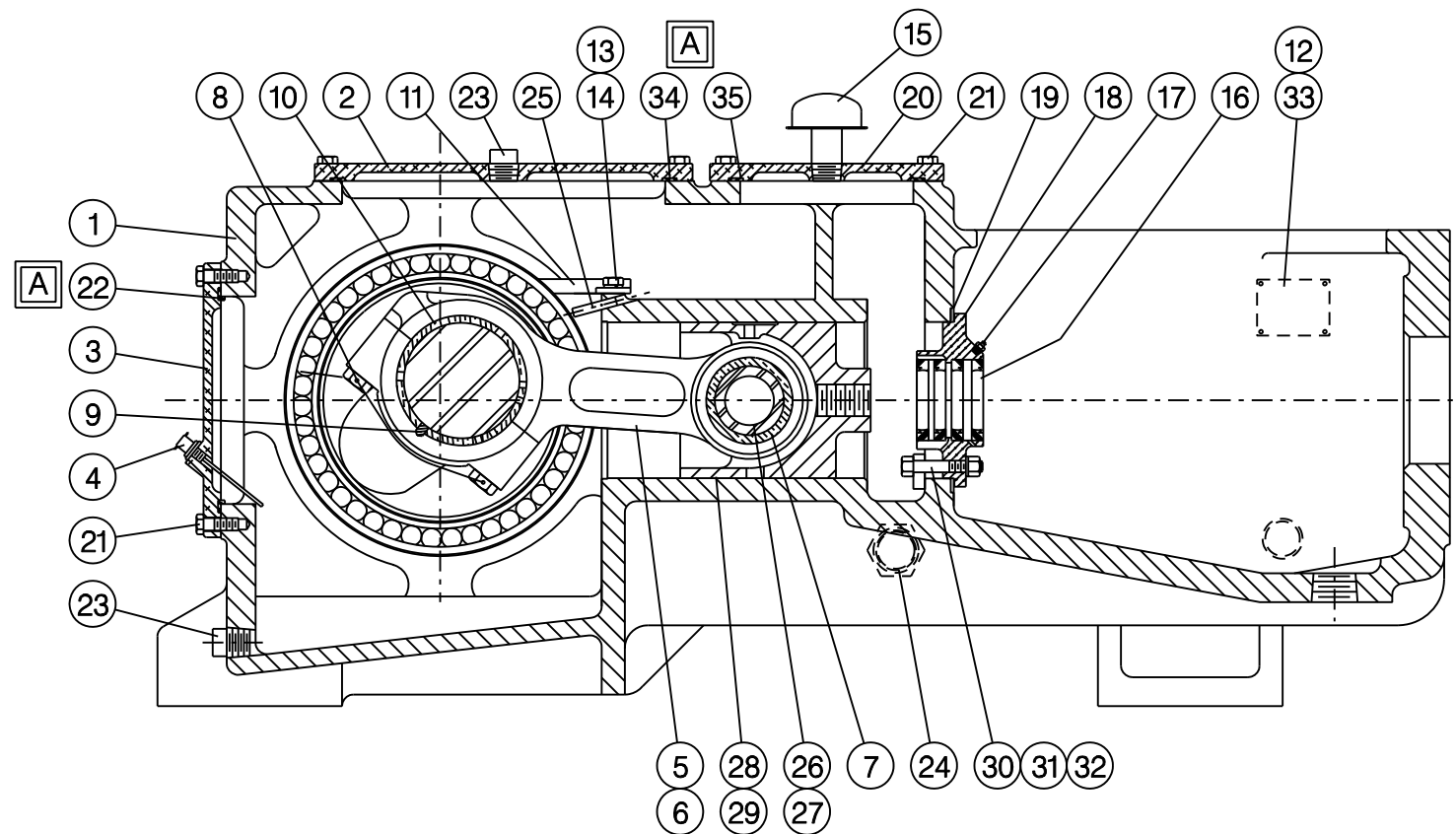
TITLE
FLUID END ASSEMBLY
300Q-5H (J-275-H14SF)

SIZE	REFERENCE No.	DRAWING No.	REV
B		1716373	B

SCALE	EST WT	SHEET
1/4		1 OF 1

3

LTR	DESCRIPTION OF CHANGE	MADE	CHKD	DATE	APPROVED	M NO
B	CORRECTED PART NUMBER	WFL	RPO	5-23-07		
C	WAS 1716016	MTH	RPO	7-31-07		

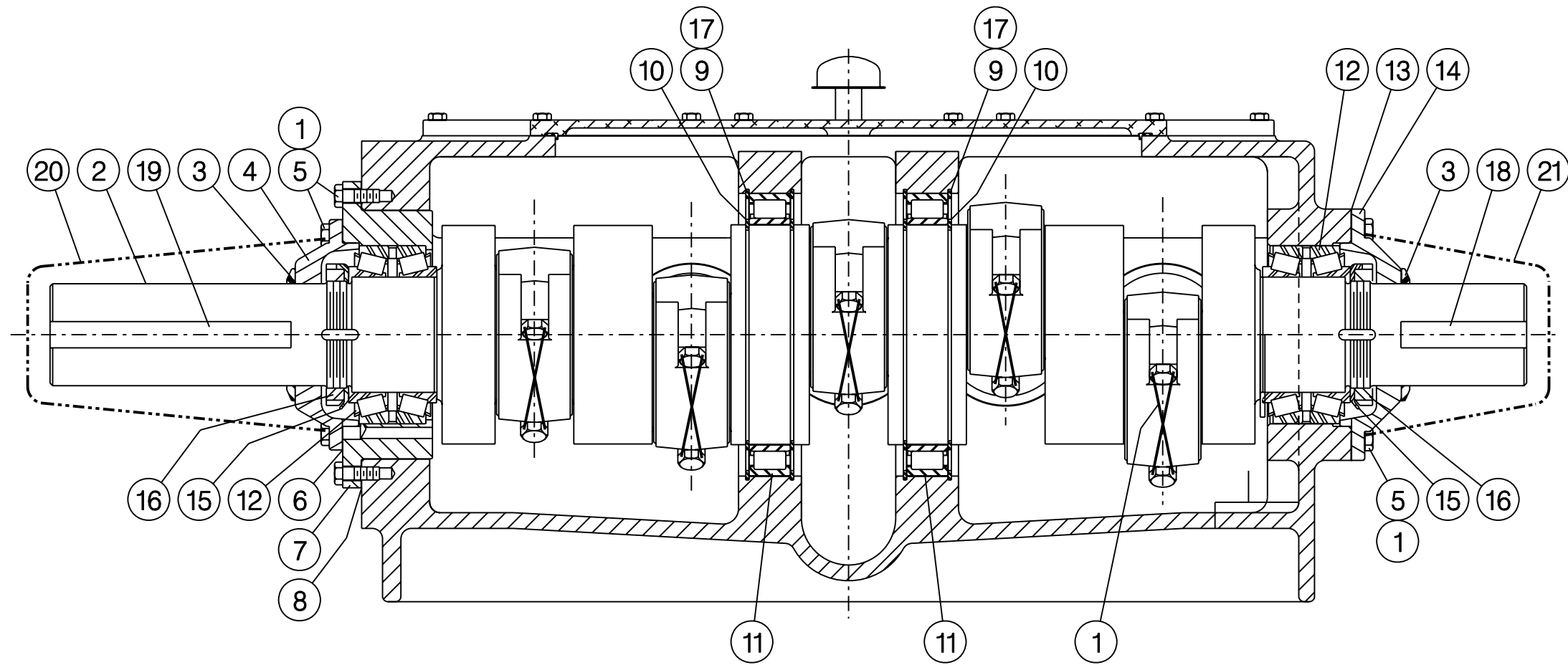


	1	1716101	GASKET, TOP COVER	35
	1	1716100	GASKET, TOP LEFT COVER	34
	1	G2407274	PLATE, WARNING	33
	1	7618018	WASHER, 1/2" STAT-O-SEAL	32
	1	6308080	NUT, 1/2" ESNA 79NE083	31
	10	1716031	BOLT, INTERMEDIATE ROD HOOK	30
	1	1716021	PIN, SPRING ROLL 7/16" X 3/8"	29
	5	1716005	CROSSHEAD (INCLS ITEM 29)	28
[B]	1	7027104	SCREW, SKT HD CONE POINT SET 1/4" X 1/2"	27
	5	1716008	PIN, CROSSHEAD (INCLS ITEM 27)	26
	5	6572420	PIN, SPRING ROLL 3/8"	25
	1	6874012	PLUG, 1/2" STD SQ HD PIPE	24
	2	6874008	PLUG, 1" STD SQ HD PIPE	23
	1	1716102	GASKET, REAR COVER	22
	26	7000305-11	SCREW, HEX HD CAP 1/2" X 1/2"	21
	1	1713013	PLATE, CROSSHEAD OIL RESERVIOR COVER	20
	5	1716017	GASKET, INTERMEDIATE ROD RETAINER	19
	5	1716009	RETAINER, INTERMEDIATE ROD WIPER	18
	5	7805052	FITTING, ALEMITE 1/8" #1610-B	17
	20	1713297	WIPER, INTERMEDIATE ROD	16
	1	7802020	CAP, BREATHER	15
	4	7000303-11	SCREW, HEX HD CAP 1/2" X 1"	14
	4	7619050	WASHER, 1/2" REGULAR SPRING LOCK	13
	4	7178025	SCREW, RD HD DRIVE TYPE "U"	12
	2	1713016P	TROUGH, OIL	11
*	10	1716012	BUSHING, ALUMINUM	10
	1	6510604	PIN, 3/8" X 1/2" DOWEL	9
[C]	2	21032044	BOLT, DRILLED HEAD CONNECTING ROD	8
	1	1716030	BUSHING, BRONZE-CROSSHEAD END	7
	1	G1716004	ROD ONLY, CONNECTING	6
	5	1716000	ROD COMPLETE, CONNECTING (INCLS ITEMS 6-10)	5
	1	2400054	GAGE, DIPSTICK OIL	4
	1	1716015	PLATE, POWER END REAR COVER	3
	1	1713014	PLATE, POWER END TOP COVER	2
	1	1716001	FRAME ONLY	1
	QTY REQ'D	PART NO.	DESCRIPTION /MATERIAL /SPECIFICATION	ITEM NO.

LIST OF MATERIAL

* ITEM NOT SHOWN FOR CLARITY

NOV NATIONAL OILWELL VARCO
HOUSTON, TEXAS U.S.A. ENGINEERING, McALESTER, OKLAHOMA
TITLE ASSEMBLY, POWER END
LESS CRANKSHAFT ASSEMBLY
300Q-5 PLUNGER PUMP
SIZE B REFERENCE No. DRAWING No. 1716375 REV C
SCALE NONE EST WT SHEET 1 OF 1



1	1713012	COVER, CRANKSHAFT EXTENSION - SHORT SOLID	21	**
1	1713011	COVER, CRANKSHAFT EXTENSION - LONG SOLID	20	*
1	2404019	KEY, CRANKSHAFT - 1/4" x 9 1/2" LG. (BELT DRIVE)	19	*
1	2404048	KEY, CRANKSHAFT - 1/4" x 5 1/2" LG. (DIRECT DRIVE)	18	*
4	6570816	PIN, SPRING ROLL 1/8"	17	
2	6304048	LOCKNUT - TIMKEN No. TAN-26	16	
2	7610050	LOCKWASHER - TIMKEN No. TW-126	15	
1	1713017	RETAINER, CRANKSHAFT BEARING	14	
1	1713009	GASKET, CRANKSHAFT BEARING RETAINER	13	
2	ZT-5506	BEARING, CRANKSHAFT MAIN ROLLER	12	
2	ZB-10500	BEARING, CRANKSHAFT CENTER ROLLER	11	
4	1716019	RING, SNAP - CENTER BEARING CRANKSHAFT	10	
4	1716018	RING, SNAP - CENTER BEARING FRAME	9	
1	1713008	GASKET, MAIN BEARING CAGE	8	
1	1713007	CAGE, MAIN BEARING	7	
1	1713010	GASKET, CRANKSHAFT BEARING RETAINER (CAGE SIDE)	6	
20	2400930	SCREW, 5/8-11 x 1 3/4" LG. DRILLED HEAD CAP	5	
1	1713621	RETAINER, CRANKSHAFT BEARING - GEAR REDUCER DRIVE	4	
1	1713022	RETAINER, CRANKSHAFT BEARING - BELT OR DIRECT DRIVE	4	
2	7818106	EXCLUDER, DIRT (1 ONLY WITH GEAR REDUCER)	3	
1	X17-3412	CRANKSHAFT ONLY	2	
15 FT	59800016	WIRE, *16 GA. BLK. ANN.	1	
QTY REQ'D	PART NO.	DESCRIPTION	ITEM NO.	

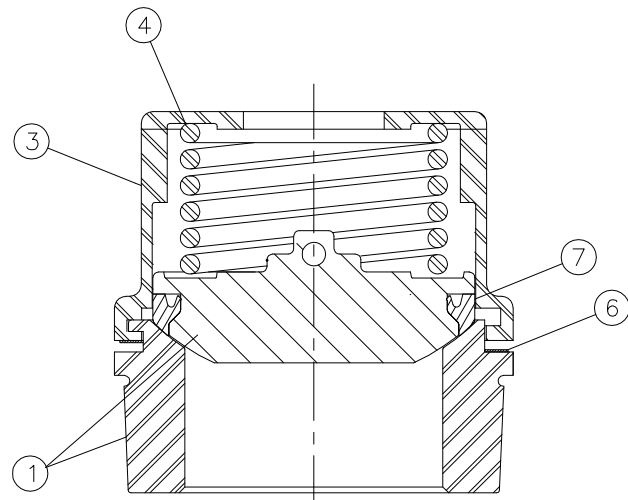
**
*
*
*

* OPTIONAL EQUIPMENT
** FURNISHED ONLY WHEN NO ACCESSORY DRIVES ARE REQUIRED

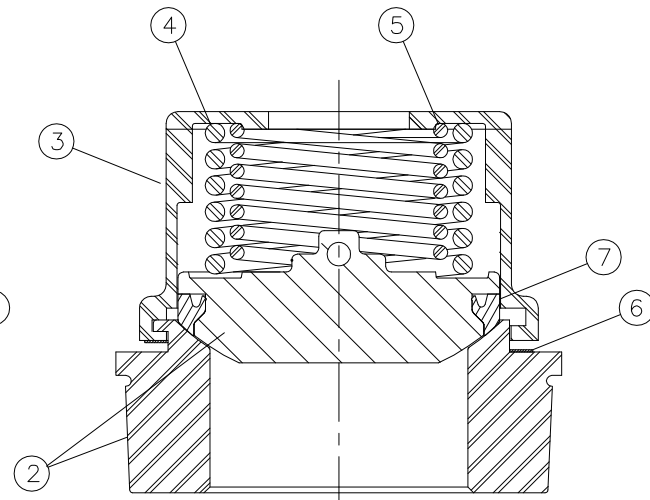
NOV NATIONAL OILWELL VARCO

TITLE
CRANKSHAFT ASSEMBLY
300Q-5 PLUNGER PUMP

SIZE B	REFERENCE No.	DRAWING No. 1716376	REV
SCALE NONE	EST WT	SHEET 1 OF 1	



SUCTION

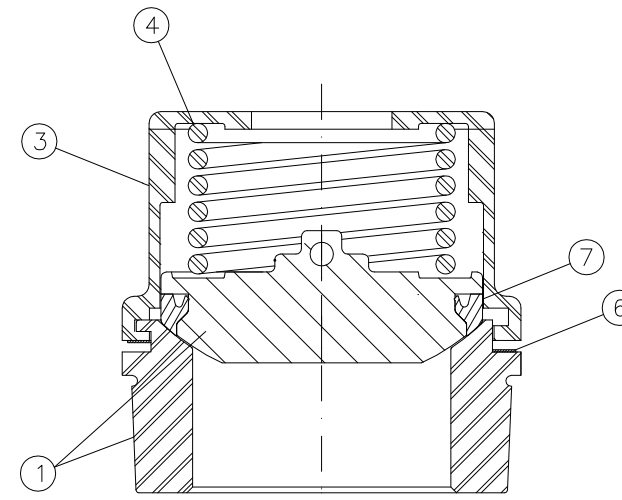


DISCHARGE

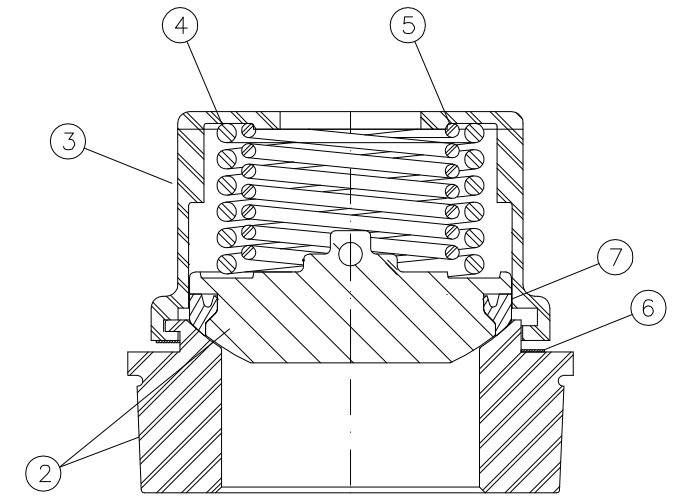
1	9707084	SEAL/INSERT	7
1	9707080	WAVE RING	6
1	1794026	SPRING, INNER	5
1	1794025	SPRING, OUTER	4
1	1794024-6W	RETAINER, SPRING	3
1	1794022-25SD	VAVLE CPT, DISCHARGE- SEVERE DUTY	2
1	1794020-25SD	VALVE CPT, SUCTION- SEVERE DUTY	1
QTY REQ'D	PART NO.	DESCRIPTION	ITEM NO.

LIST OF MATERIAL

300Q-5L
TAPERED SEAT
SPHERICAL S.D. TYPE



SUCTION

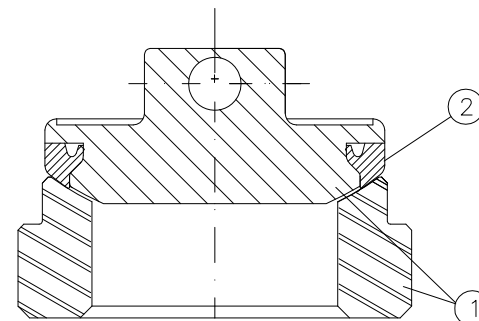


DISCHARGE

1	9707086	SEAL/INSERT	7
1	9707082	WAVE RING	6
1	1793026	SPRING, INNER	5
1	1793025	SPRING, OUTER	4
1	1793024-6W	RETAINER, SPRING	3
1	1793022-25SD	VAVLE CPT, DISCHARGE- SEVERE DUTY	2
1	1793020-25SD	VALVE CPT, SUCTION- SEVERE DUTY	1
QTY REQ'D	PART NO.	DESCRIPTION	ITEM NO.

LIST OF MATERIAL

300Q-5M
TAPERED SEAT
SPHERICAL S.D. TYPE



SUCTION & DISCHARGE

1	9707094	SEAL/INERT	2
1	1717090-25SD	VALVE CPT, SUCTION & DISCHARGE- SEVERE DUTY	1
QTY REQ'D	PART NO.	DESCRIPTION	ITEM NO.

LIST OF MATERIAL

300Q-5H
TAPERED SEAT
SPHERICAL S.D. TYPE

NOV NATIONAL OILWELL VARCO

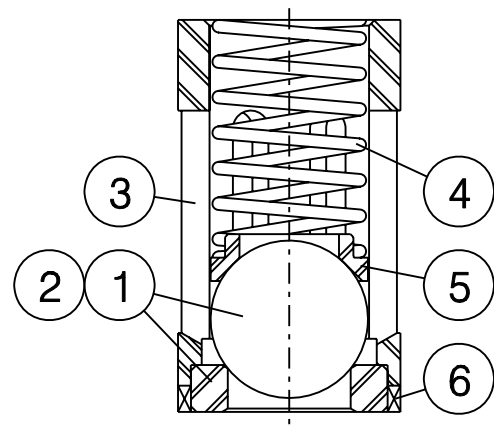
TITLE
SEVERE DUTY VALVE ASSY.
300Q-5 TRIPLEX PLUNGER PUMP

SIZE B	REFERENCE No.	DRAWING No. 1716367	REV
-----------	---------------	------------------------	-----

SCALE 1/2	EST WT	SHEET 1 OF 1
--------------	--------	-----------------

1	1712373	SEAL	6
1	1712372	RETAINER, SPRING	5
1	1712371	SPRING	4
1	1712370-4	CAGE	3
1	1712367	VALVE & SEAT (DISCHARGE)	2
1	1712367	VALVE & SEAT (SUCTION)	1
QTY REQ'D	PART NO.	DESCRIPTION	ITEM NO.

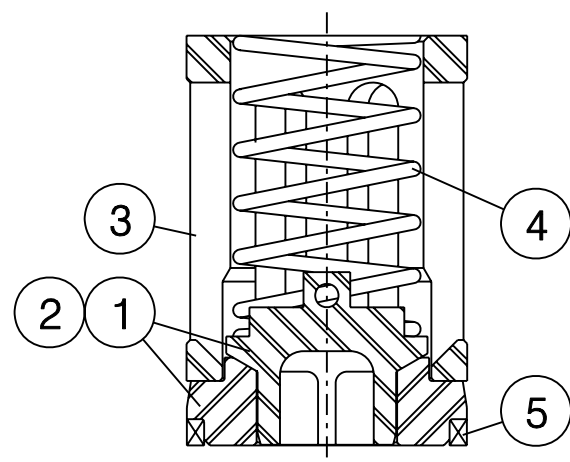
LIST OF MATERIAL



300Q - 5H & 5PO
CAGE TYPE
BALL VALVE

1	1716112	SEAL	5
1	1716336	SPRING	4
1	1716335-4	CAGE	3
1	1716330-25	VALVE & SEAT (DISCHARGE)	2
1	1716330-25	VALVE & SEAT (SUCTION)	1
QTY REQ'D	PART NO.	DESCRIPTION	ITEM NO.

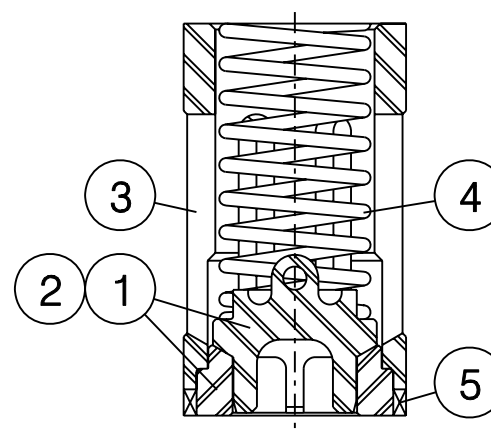
LIST OF MATERIAL



300Q - 5HCB
BOTTOM GUIDED
CAGE TYPE VALVE

1	1713038	1712373	SEAL	5
1	1713036	1712486	SPRING	4
1	1713065-4	1712585-4	CAGE	3
1	1713500-25	1717080-25	VALVE & SEAT (DISCHARGE)	2
1	1713500-25	1717080-25	VALVE & SEAT (SUCTION)	1
QTY REQ'D	PART NO. 300Q-5M	PART NO. 300Q-5H	DESCRIPTION	ITEM NO.

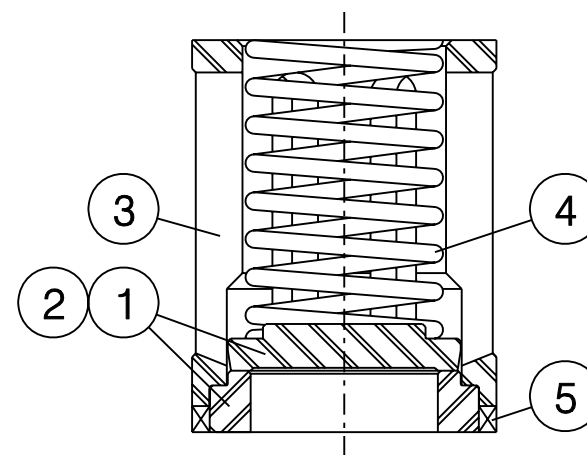
LIST OF MATERIAL



300Q - 5MCA & 5HCA
BOTTOM GUIDED
CAGE TYPE VALVE

1	1713038	1712373	SEAL	5
1	1713036	1712486	SPRING	4
1	1713065-4	1712585-4	CAGE	3
1	1713062	1712582	VALVE & SEAT (DISCHARGE)	2
1	1713060	1712580	VALVE & SEAT (SUCTION)	1
QTY REQ'D	PART NO. 300Q-5M	PART NO. 300Q-5H	DESCRIPTION	ITEM NO.

LIST OF MATERIAL



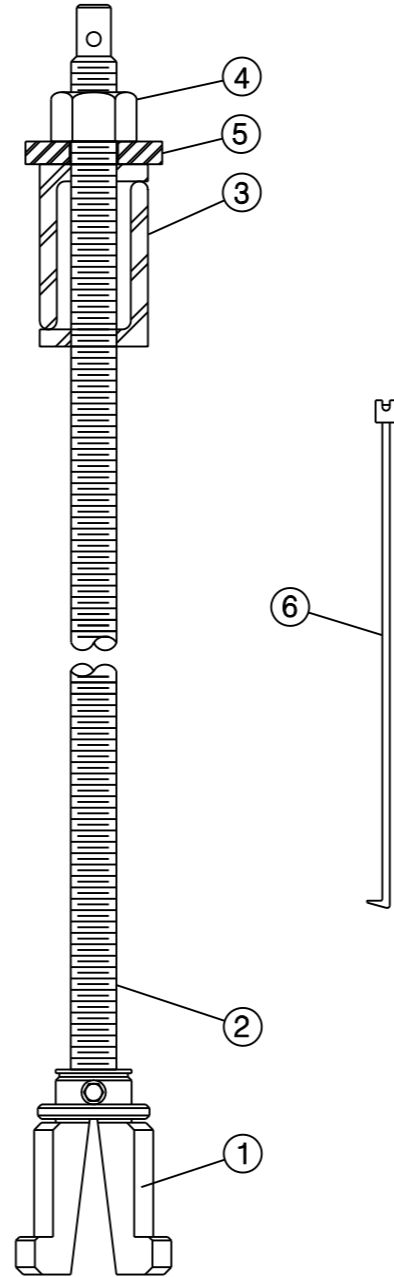
300Q - 5MCA & 5HCA
CAGE TYPE
DISC VALVE

NOV NATIONAL OILWELL VARCO			
TITLE CAGE TYPE VALVE ASSEMBLY 300Q-5 TRIPLEX PLUNGER PUMP			
SIZE B	REFERENCE No.	DRAWING No. 1716368	REV
SCALE 1/2	EST WT	SHEET 1 OF 1	

LTR	DESCRIPTION OF CHANGE	MADE	CHKD	DATE	APPROVED	M NO
A	REMOVED DURABLA VALVE	MTH	RPO	1.19.06		

300Q - 5L			
ITEM NO.	PART NO.	DESCRIPTION	QTY. REQ'D
	180104143	VALVE KIT CPT.	1
1	181259409	HEAD	1
2	20220159	STEM	1
3	181205709	SPACER	1
4	75518308	NUT, 1"	1
5	20220194	WASHER	1
6	1790034	RETRIEVER	1

300Q - 5M																			
ITEM NO.	PART NO.	DESCRIPTION	QTY. REQ'D																
	180104127	VALVE KIT CPT.	1																
1	181259300	HEAD	1																
2	20220159	STEM	1 </tr <tr> <td>3</td> <td>181205709</td> <td>SPACER</td> <td>1</td> </tr> <tr> <td>4</td> <td>75518308</td> <td>NUT, 1"</td> <td>1</td> </tr> <tr> <td>5</td> <td>20220194</td> <td>WASHER</td> <td>1</td> </tr> <tr> <td>6</td> <td>1790034</td> <td>RETRIEVER</td> <td>1</td> </tr>	3	181205709	SPACER	1	4	75518308	NUT, 1"	1	5	20220194	WASHER	1	6	1790034	RETRIEVER	1
3	181205709	SPACER	1																
4	75518308	NUT, 1"	1																
5	20220194	WASHER	1																
6	1790034	RETRIEVER	1																



SPHERICAL TAPERED SEAT VALVE KIT

NOW NATIONAL OILWELL VARCO			
TITLE VALVE SERVICE KITS 300Q-5 PLUNGER PUMP			
SIZE C	REFERENCE No.	DRAWING No. 1716369	REV A
SCALE 1/4	EST WT	SHEET 1 OF 1	

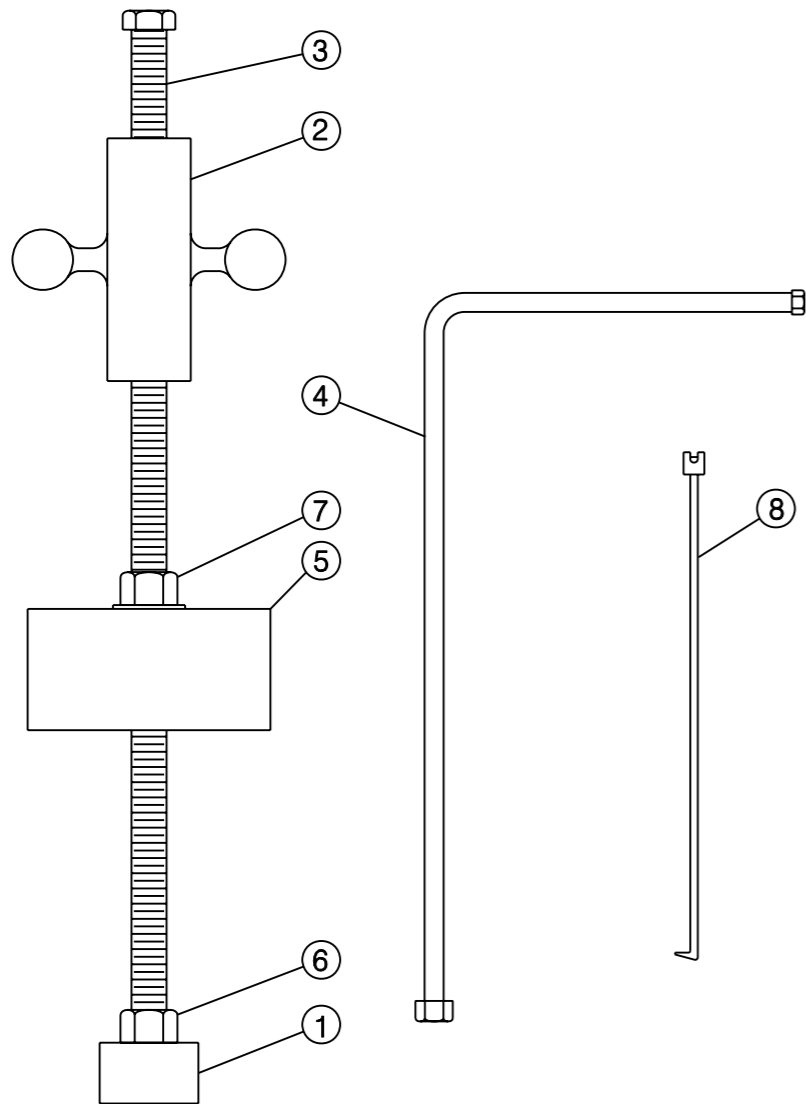
300Q - 5L			
ITEM NO.	PART NO.	DESCRIPTION	QTY. REQ'D
	1794007	VALVE KIT CPT.	1
1	1794006	HEAD	1
2	1790080	BUMPER	1
3	1790081	BAR	1
4	1790082	WRENCH	1
5	1713109	SUPPORT	1
6	6300160	NUT	1
7	6314002	NUT	1
8	1790034	RETRIEVER	1

300Q - 5M			
ITEM NO.	PART NO.	DESCRIPTION	QTY. REQ'D
	1793007	VALVE KIT CPT.	1
1	1793006	HEAD	1
2	1790080	BUMPER	1
3	1790081	BAR	1
4	1790082	WRENCH	1
5	1713109	SUPPORT	1
6	6300160	NUT	1
7	6314002	NUT	1
8	1790034	RETRIEVER	1

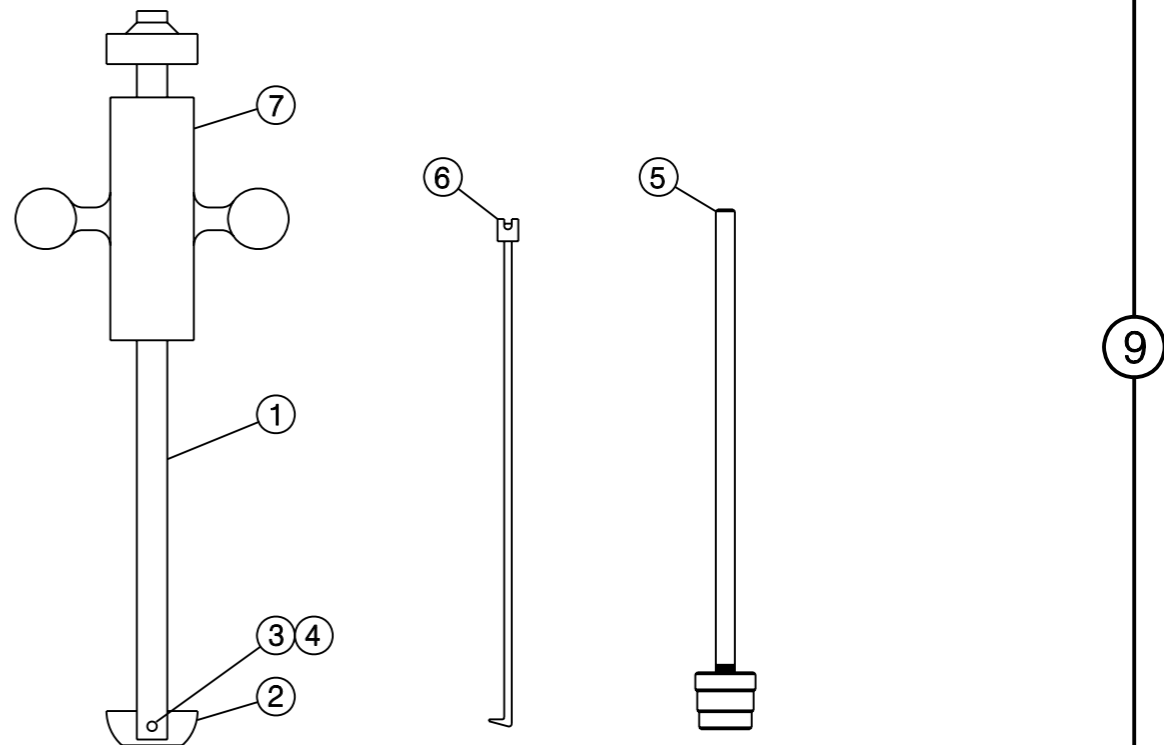
300Q - 5M (MCA)			
ITEM NO.	PART NO.	DESCRIPTION	QTY. REQ'D
	1713068	VALVE KIT CPT.	1
	1713069	BAR CPT., INCL.	1
1	1713070	BAR	1
2	1713072	PLATE	1
3	6572018	PIN	1
4	6571218	PIN	1
5	1790043	DRIVER	1
6	1790034	RETRIEVER	1
7	1790080	BUMPER	1

300Q - 5H (HCB)			
ITEM NO.	PART NO.	DESCRIPTION	QTY. REQ'D
	1713351	VALVE KIT CPT.	1
	1713352	BAR CPT., INCL.	1
1	1713070	BAR	1
2	1713353	PLATE	1
3	6572018	PIN	1
4	6571218	PIN	1
5	G-1790064	DRIVER	1
6	1790034	RETRIEVER	1
7	1790080	BUMPER	1

300Q - 5PO / 5HCA			
ITEM NO.	PART NO.	DESCRIPTION	QTY. REQ'D
	1712342	VALVE KIT CPT.	1
	1712242	BAR CPT., INCL.	1
1	1710250	BAR	1
2	1712263	PLATE	1
3	6572016	PIN	1
4	6571216	PIN	1
5	1790042	DRIVER	1
6	1790034	RETRIEVER	1
7	1790080	BUMPER	1

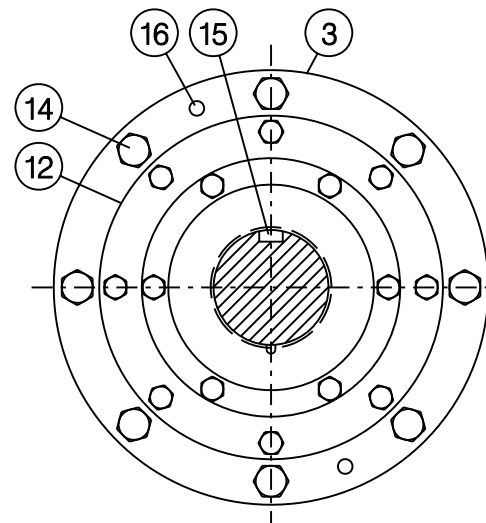
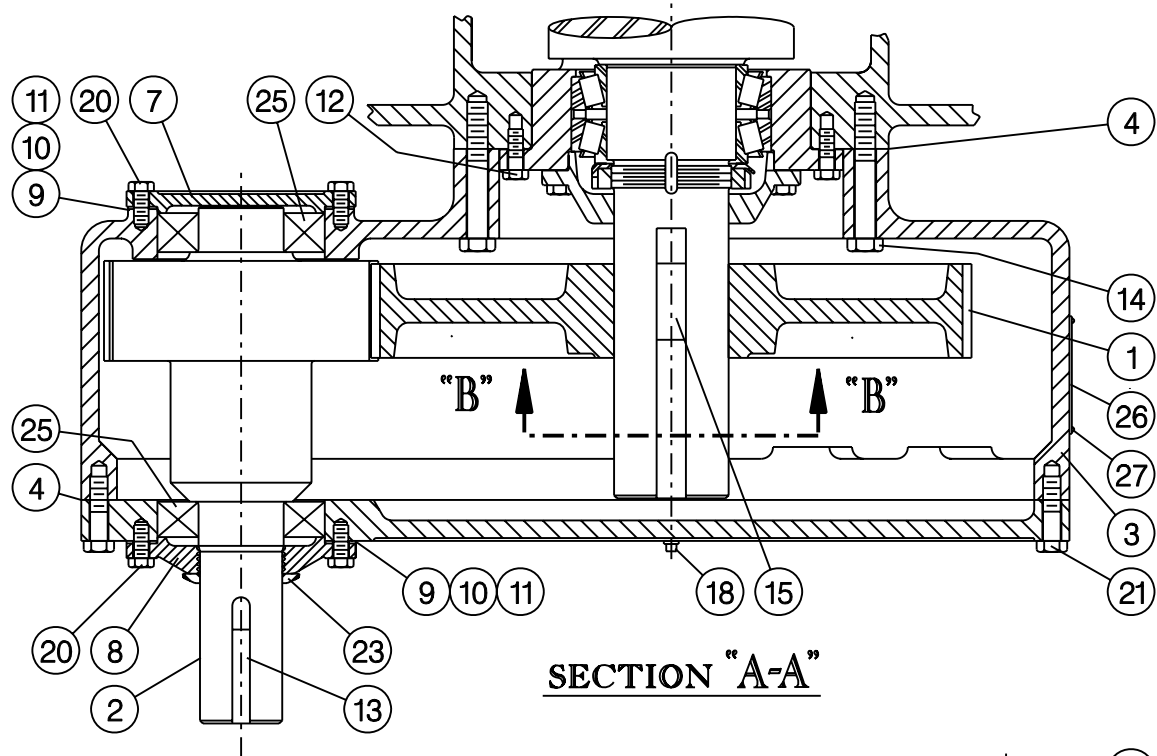


NATIONAL OILWELL VARCO TAPERED SEAT VALVE KIT

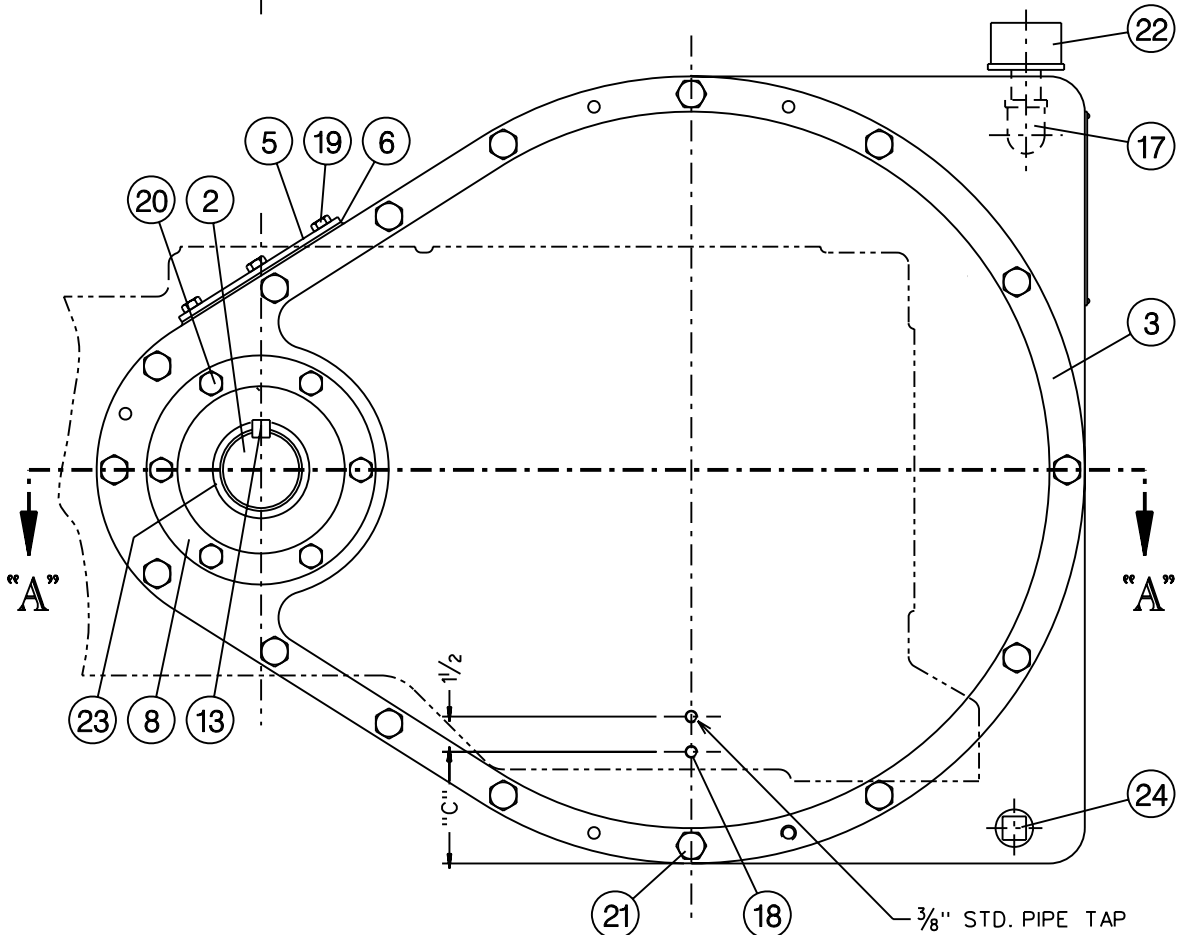


CAGE TYPE VALVE KIT
(SPHERICAL, BOTTOM GUIDED, DISC, OR BALL)

NATIONAL OILWELL VARCO			
TITLE VALVE SERVICE KITS 300Q-5 PLUNGER PUMP			
SIZE C	REFERENCE No.	DRAWING No. 1716370	REV
SCALE 1/4	EST WT	SHEET 1 OF 1	



SECTION "B-B"
ITEM *1 REMOVED
FOR CLARITY



1		7178025		SCREW, RD HD DRIVE *2 x 1/4"	27					
1		1711606		PLATE, NAME & INSTRUCTION	26					
2		ZT-3621		BEARING, PINION SHAFT	25					
1		7815059		PLUG, MAGNETIC DRAIN 1/4"	24					
1		1127523		EXCLUDER, BRG	23					
1		7802020		CAP, BREATHER *S-183	22					
16		7000443-11		SCREW, HEX HD CAP 3/4" x 2 3/4"	21					
12		7000395-11		SCREW, HEX HD CAP 5/8" x 1 1/2"	20					
4		7000206-11		SCREW, HEX HD CAP 3/8" x 3/4"	19					
2		6874003		PLUG, STD PIPE 3/8"	18					
1		6829008		ELBOW, STD 1" x 90° STREET	17					
2		6581072		PIN, TAPER *10 x 4 1/2"	16					
1		2403101		KEY, GEAR 1" x 1" x 3/4"	15					
8		2405018		SCREW, HEX HD DRLD 7/8" x 4 1/2"	14					
1		2402990		KEY, PINION 3/4" x 3/4" x 4"	13					
1		1713621		RETAINER, CRANKSHAFT BRG	12					
6		1713627		SHIM, BEARING RETAINER .007	11					
6		1713625		SHIM, BEARING RETAINER .005	10					
2		1713620		SHIM, BEARING RETAINER .020	9					
1		1713605		CAP, H.S. PINION BRG OPEN	8					
1		1713604		CAP, H.S. PINION BRG BLIND	7					
1		1108210		GASKET, INSPECTION COVER	6					
1		1108110		COVER, INSPECTION	5					
1		7817200-68		GASKET, LOCTITE PLASTIC	4					
1	1713682	1713622	1713602	1713602	1713602	1713602	1713602	HOUSING CPT, GEAR REDUCER	3	
1	1713684	1713619	1713614	1713624	1713617	1713616	1713613	1713612	PINION	2
1	1713683	1713618	1713609	1713623	1713607	1713608	1713610	1713611	GEAR	1
QTY REQ'D	PART NO.	PART NO.	PART NO.	PART NO.	PART NO.	PART NO.	PART NO.	PART NO.	DESCRIPTION /MAT'L. /SPEC.	ITEM NO.
	1713637	G1713635	1713632	1713636	1713634	1713633	1713631	1713630		
	5.63 RATIO	4.84 RATIO	4.38 RATIO	3.69 RATIO	3.36 RATIO	3.25 RATIO	2.89 RATIO	2.27 RATIO		

GEAR REDUCER ASSY. COMPLETE BILL OF MATERIAL No.'s

LIST OF MATERIAL

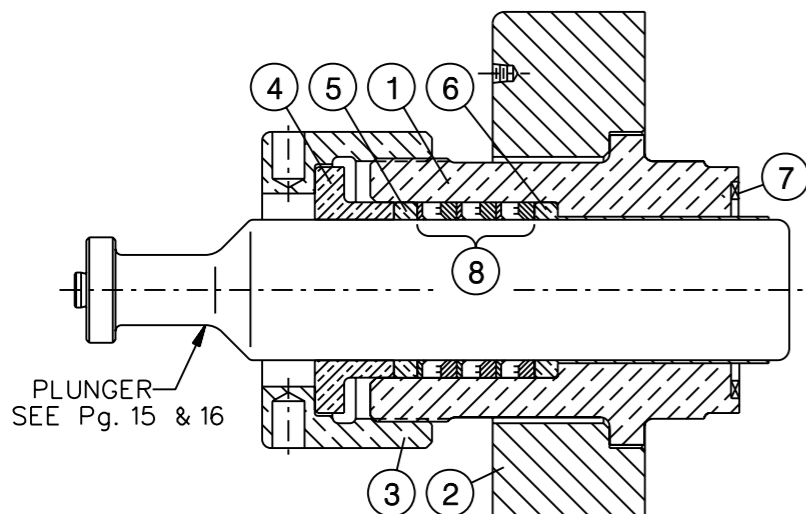
OIL LEVEL LOCATION		
GEAR RED. CPT. / RATIO	"C"	
1713630 / 2.27	4 3/4	
1713631 / 2.89	3 3/4	
1713633 / 3.25	3 1/2	
1713634 / 3.36	3 1/2	
1713636 / 3.69	2 1/2	
1713632 / 4.38	2 1/2	
G1713635 / 4.84	2 1/2	
1713637 / 5.63	2 1/2	

NOV NATIONAL OILWELL VARCO

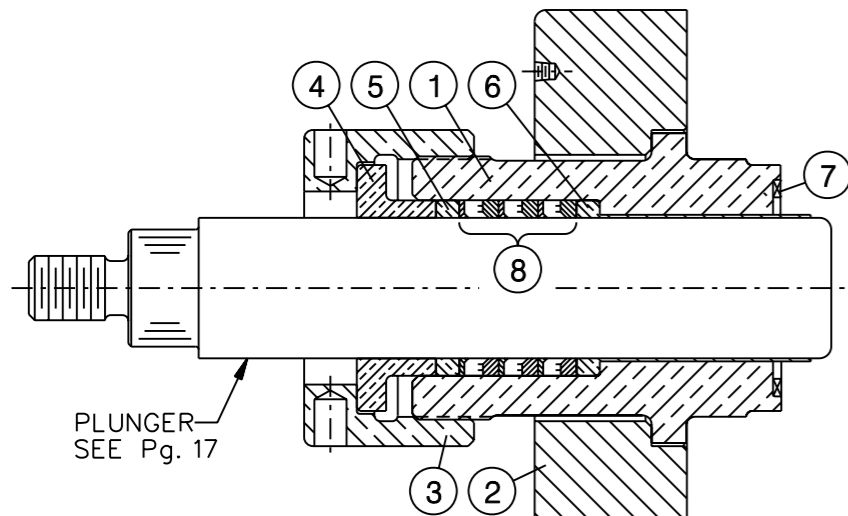
TITLE
GEAR REDUCER ASSEMBLY
300Q-5 PLUNGER PUMP

SIZE **B** REFERENCE No. DRAWING No. **1716374** REV

SCALE 1/8 EST WT SHEET 1 OF 1



300Q - 5L & 5M PLUNGER KIT WITH CLAMPED PLUNGER



300Q - 5L & 5M PLUNGER KIT WITH THREADED PLUNGER

QTY REQ'D	PART NO.	DESCRIPTION	ITEM NO.	
1	6422338	2 3/4" - 850-N UNIVERSAL PACKING	8	
1	6422340	3" - 850-N UNIVERSAL PACKING		
1	6422342	3 1/4" - 850-N UNIVERSAL PACKING		
1	6422343	3 1/2" - 850-N UNIVERSAL PACKING		
1	6422345	3 3/4" - 850-N UNIVERSAL PACKING		
1	6422346	4" - 850-N UNIVERSAL PACKING		
1	2410031-347	SEAL, STUFFING BOX	7	
1	1712513	2 3/4" SLEEVE WASHER	6	
1	1712514	3" SLEEVE WASHER		
1	1712515	3 1/4" SLEEVE WASHER		
1	1712516	3 1/2" SLEEVE WASHER		
1	1712517	3 3/4" SLEEVE WASHER		
1	1712518	4" SLEEVE WASHER		
2	1712095	2 3/4" WASHER		5
2	1712096	3" WASHER		
2	1712097	3 1/4" WASHER		
2	1712098	3 1/2" WASHER		
2	1712099	3 3/4" WASHER		
2	1712100	4" WASHER		
1	1712089	2 3/4" GLAND	4	
1	1712090	3" GLAND		
1	1712091	3 1/4" GLAND		
1	1712092	3 1/2" GLAND		
1	1712093	3 3/4" GLAND		
1	1712094	4" GLAND		
1	1712065	NUT, ADJUSTING		3
1	1716034	RETAINER, STUFFING BOX		2
1	1716078-2	2 3/4" PLG'R x 3 3/4" BORE STUFFING BOX	1	
1	1716078-2	3" PLG'R x 3 3/4" BORE STUFFING BOX		
1	1716079-2	3 1/4" PLG'R x 4 1/4" BORE STUFFING BOX		
1	1716079-2	3 1/2" PLG'R x 4 1/4" BORE STUFFING BOX		
1	1716080-2	3 3/4" PLG'R x 4 3/4" BORE STUFFING BOX		
1	1716080-2	4" PLG'R x 4 3/4" BORE STUFFING BOX		

LIST OF MATERIAL

300Q - 5L PLUNGER KIT

1	6422324	2" - 850-N UNIVERSAL PACKING	8
1	6422326	2 1/8" - 850-N UNIVERSAL PACKING	
1	6422329	2 1/4" - 850-N UNIVERSAL PACKING	
1	6422359	2 3/8" - 850-N UNIVERSAL PACKING	
1	6422333	2 1/2" - 850-N UNIVERSAL PACKING	
1	6422335	2 5/8" - 850-N UNIVERSAL PACKING	
1	6422337	2 3/4" - 850-N UNIVERSAL PACKING	
1	2410031-342	SEAL, STUFFING BOX	
1	1712506	2" SLEEVE WASHER	6
1	1712503	2 1/8" SLEEVE WASHER	
1	1712507	2 1/4" SLEEVE WASHER	
1	1716092-2	2 3/8" SLEEVE WASHER	
1	1716095-2	2 1/2" SLEEVE WASHER	
1	1713058	2 5/8" SLEEVE WASHER	
1	1712509	2 3/4" SLEEVE WASHER	
2	1712057	2" WASHER	
2	1712333	2 1/8" WASHER	
2	1712058	2 1/4" WASHER	
2	1716091-2	2 3/8" WASHER	
2	1716094-2	2 1/2" WASHER	
2	1713057	2 5/8" WASHER	
2	1712060	2 3/4" WASHER	
1	1712051	2" GLAND	4
1	1712332	2 1/8" GLAND	
1	1712052	2 1/4" GLAND	
1	1716090-2	2 3/8" GLAND	
1	1716093-2	2 1/2" GLAND	
1	1713056	2 5/8" GLAND	
1	1712054	2 3/4" GLAND	
1	1712025	NUT, ADJUSTING	
1	1716034	RETAINER, STUFFING BOX	2
1	1716075-2	2" PLG'R x 3" BORE STUFFING BOX	1
1	1716075-2	2 1/8" PLG'R x 3" BORE STUFFING BOX	
1	1716075-2	2 1/4" PLG'R x 3" BORE STUFFING BOX	
1	1716076-2	2 3/8" PLG'R x 3 1/4" BORE STUFFING BOX	
1	1716076-2	2 1/2" PLG'R x 3 1/4" BORE STUFFING BOX	
1	1716077-2	2 5/8" PLG'R x 3 1/2" BORE STUFFING BOX	
1	1716077-2	2 3/4" PLG'R x 3 1/2" BORE STUFFING BOX	

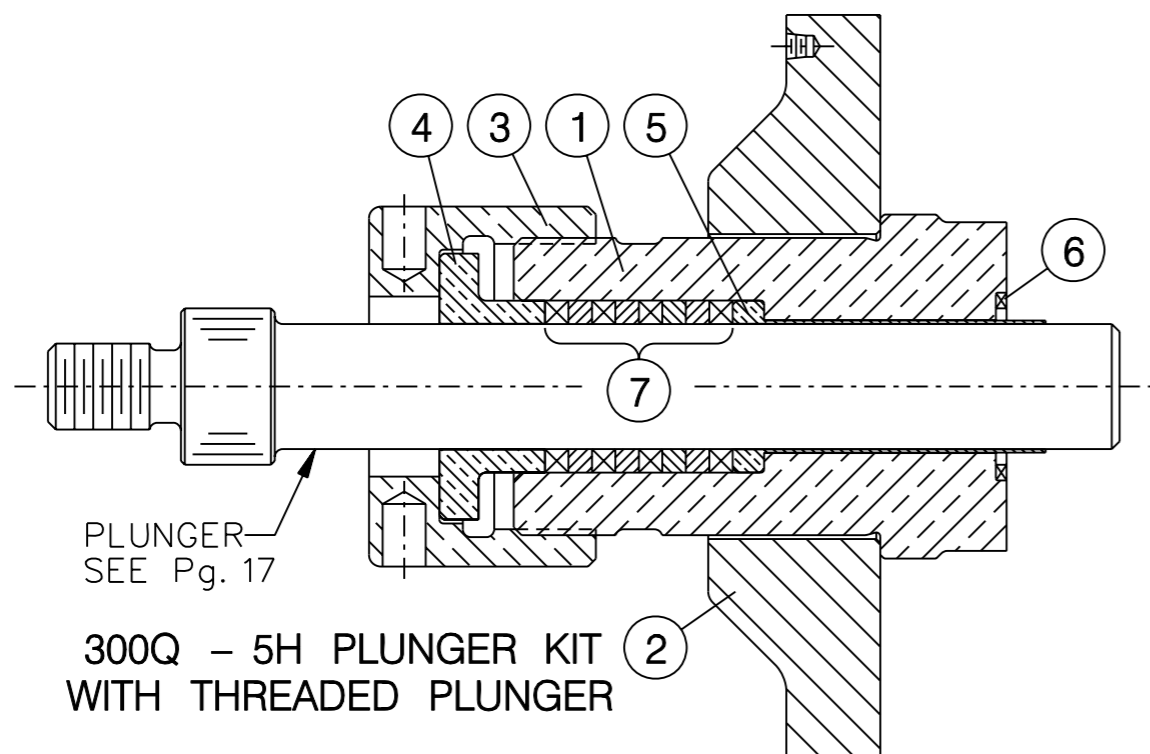
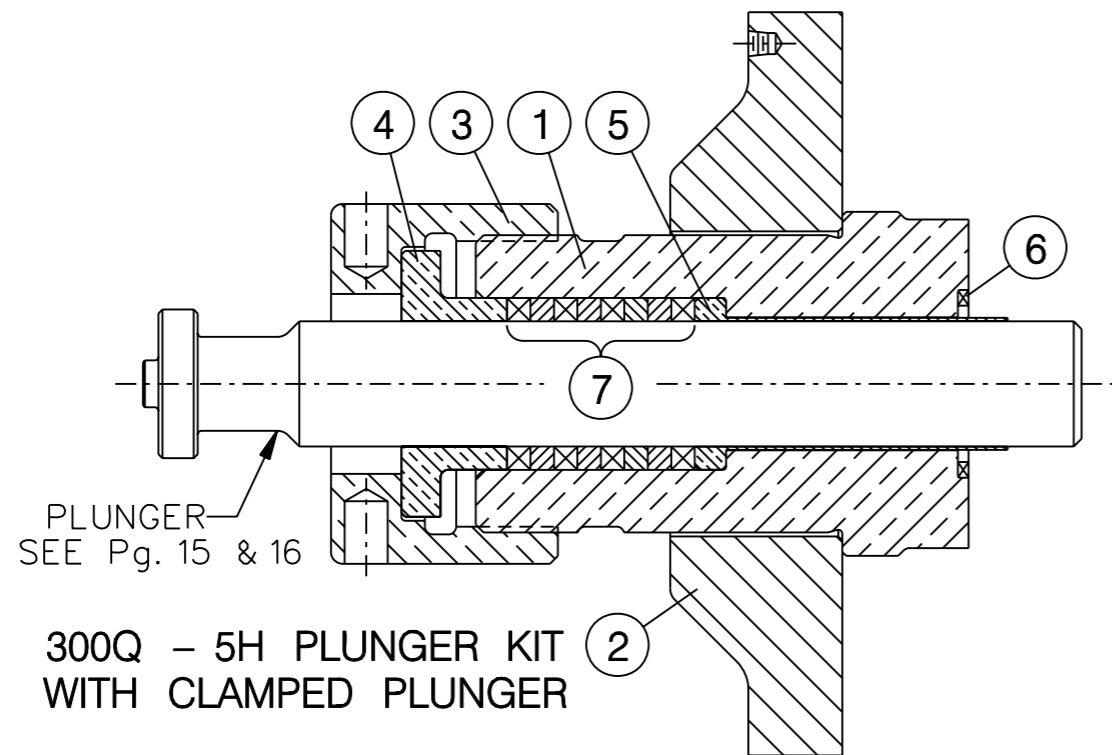
LIST OF MATERIAL

300Q - 5M PLUNGER KIT

△ USE ONLY WITH CERAMIC PLUNGER.
REPLACE ONE OF ITEM *5 WITH ITEM *6

NOV NATIONAL OILWELL VARCO

TITLE			
ASSEMBLY, PLUNGER KIT 300Q -5L & 5M PLUNGER PUMP			
SIZE	REFERENCE No.	DRAWING No.	REV
B		1716360	
SCALE	EST WT	SHEET	
1 / 4		1 OF 1	



1	6420459	1/2" - 1045 UNIVERSAL PACKING	7
1	6420460	1 5/8" - 1045 UNIVERSAL PACKING	
1	6420461	1 3/4" - 1045 UNIVERSAL PACKING	
1	6420462	1 7/8" - 1045 UNIVERSAL PACKING	
1	6420463	2" - 1045 UNIVERSAL PACKING	
1	2410031-334	SEAL, STUFFING BOX	6
1	1712498	1/2" SLEEVE WASHER	△ 5
1	1712499	1 5/8" SLEEVE WASHER	
1	1712552	1 3/4" SLEEVE WASHER	
1	1713101-2	1 7/8" SLEEVE WASHER	
1	1712554	2" SLEEVE WASHER	
1	1712049	1/2" GLAND	4
1	1712159	1 5/8" GLAND	
1	1712050	1 3/4" GLAND	
1	1713100-2	1 7/8" GLAND	
1	1712527	2" GLAND	
1	1712025	NUT, ADJUSTING	3
1	1713304-1	RETAINER, STUFFING BOX	2
1	1716070-2	1/2" PLG'R x 2 1/2" BORE STUFFING BOX	1
1	1716070-2	1 5/8" PLG'R x 2 1/2" BORE STUFFING BOX	
1	1716070-2	1 3/4" PLG'R x 2 1/2" BORE STUFFING BOX	
1	1716071-2	1 7/8" PLG'R x 2 3/4" BORE STUFFING BOX	
1	1716071-2	2" PLG'R x 2 3/4" BORE STUFFING BOX	
QTY REQ'D	PART NO.	DESCRIPTION	ITEM NO.

LIST OF MATERIAL

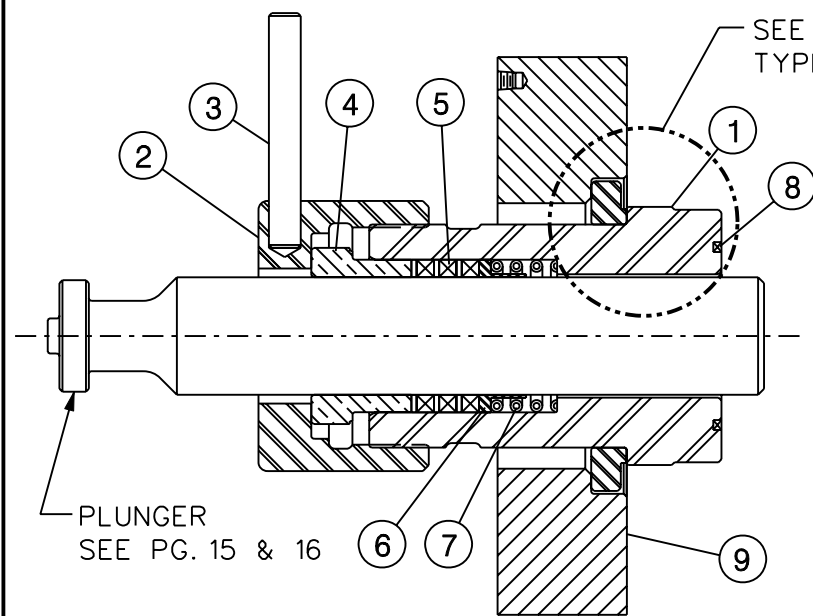
△ 5 USE ONLY WITH CERAMIC PLUNGER

NOV NATIONAL OILWELL VARCO

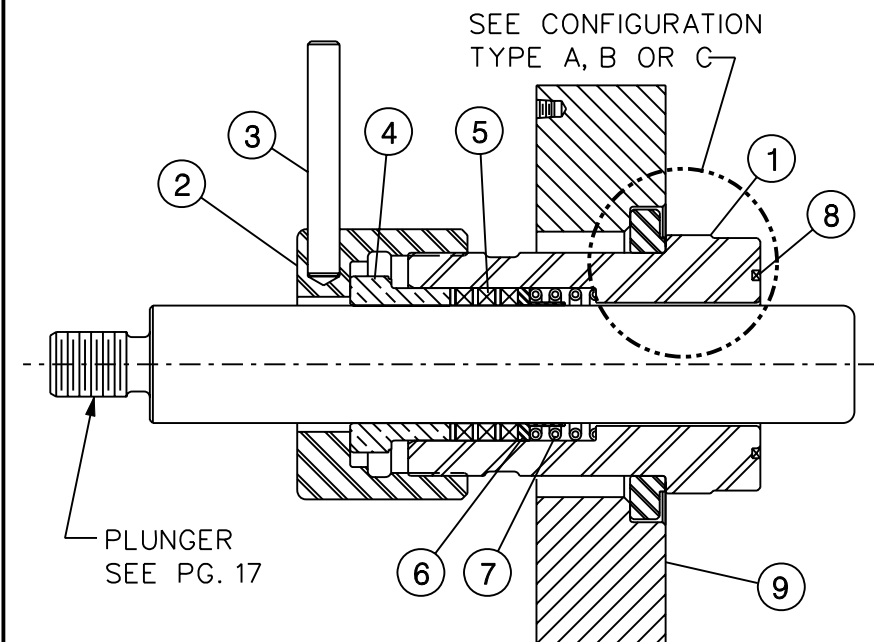
TITLE
ASSEMBLY, PLUNGER KIT
300Q-5H PLUNGER PUMP

SIZE B REFERENCE No. DRAWING No. 1716361 REV

SCALE 1/3 EST WT SHEET 1 OF 1



300Q - 5L & 5M PLUNGER KIT WITH CLAMPED PLUNGER



300Q - 5L & 5M PLUNGER KIT WITH THREADED PLUNGER

PLUNGER SIZE	RETAINER/ADAPTER CONFIG. SEE DETAIL FOR TYPE
2"	TYPE C
2 1/8"	TYPE C
2 1/4"	TYPE B
2 3/8"	TYPE B
2 1/2"	TYPE B
2 5/8"	TYPE B
2 3/4"	TYPE B
3"	TYPE B
3 1/4"	TYPE A
3 1/2"	TYPE A
3 3/4"	TYPE A
4"	TYPE A

1 2" STUFFNG BOX P/N L342-908 IS CUT WITH AN EXTRA SEAL GROOVE. USE BOTH SEALS.

QTY REQ'D	PART NO.	DESCRIPTION	ITEM NO.
1	1716034	RETAINER, STUFFING BOX	9
1	2410031-347	SEAL, STUFFING BOX	8
1	342-008	3" & 2 3/4" SPRING	7
1	342-007	3 1/2" & 3 1/4" SPRING	7
1	342-269	4" & 3 3/4" SPRING	7
1	342-014	2 3/4" FOLLOWER	6
1	342-015	3" FOLLOWER	6
1	342-009	3 1/4" FOLLOWER	6
1	342-028	3 1/2" FOLLOWER	6
1	342-359	3 3/4" FOLLOWER	6
1	342-360	4" FOLLOWER	6
1	342-018	2 3/4" KEVLAR PACKING	5
1	342-019	3" KEVLAR PACKING	5
1	342-016	3 1/4" KEVLAR PACKING	5
1	342-017	3 1/2" KEVLAR PACKING	5
1	342-757	3 3/4" KEVLAR PACKING	5
1	342-758	4" KEVLAR PACKING	5
1	342-022	2 3/4" GLAND	4
1	342-023	3" GLAND	4
1	342-020	3 1/4" GLAND	4
1	342-021	3 1/2" GLAND	4
1	342-127	3 3/4" GLAND	4
1	342-128	4" GLAND	4
1	342-930	PIN	3
1	342-928	3" & 2 3/4" NUT	2
1	342-927	3 1/2" & 3 1/4" NUT	2
1	342-962	4" & 3 3/4" NUT	2
1	342-924	2 3/4" PLG'R x 3 3/4" BORE STUFFING BOX	1
1	342-924	3" PLG'R x 3 3/4" BORE STUFFING BOX	1
1	342-923	3 1/4" PLG'R x 4 1/4" BORE STUFFING BOX	1
1	342-923	3 1/2" PLG'R x 4 1/4" BORE STUFFING BOX	1
1	342-953	3 3/4" PLG'R x 4 3/4" BORE STUFFING BOX	1
1	342-953	4" PLG'R x 4 3/4" BORE STUFFING BOX	1

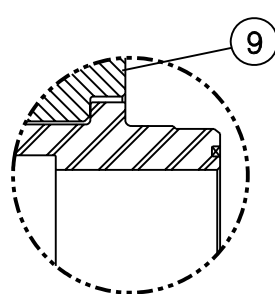
LIST OF MATERIAL

300Q - 5L PLUNGER KIT

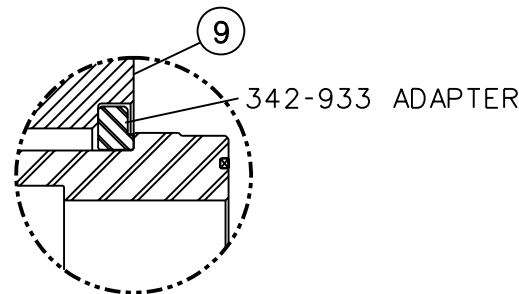
QTY REQ'D	PART NO.	DESCRIPTION	ITEM NO.
1	1716034	RETAINER, STUFFING BOX	9
1	2410031-342	2" SEAL, STUFFING BOX	8
1	2410031-334	2" SEAL, STUFFING BOX	8
1	2410031-342	2 5/8", 2 1/2", 2 3/8", 2 1/4" & 2 1/8" SEAL, STF. BOX	8
1	2410031-347	2 3/4" SEAL, STUFFING BOX	8
1	L342-260	2 1/8" & 2" SPRING	7
1	342-000	2 1/2", 2 3/8" & 2 1/4" SPRING	7
1	342-270	2 5/8" SPRING	7
1	342-008	2 3/4" SPRING	7
1	L342-368	2" FOLLOWER	6
1	342-353	2 1/8" FOLLOWER	6
1	342-001	2 1/4" FOLLOWER	6
1	342-354	2 3/8" FOLLOWER	6
1	342-002	2 1/2" FOLLOWER	6
1	342-355	2 5/8" FOLLOWER	6
1	342-014	2 3/4" FOLLOWER	6
1	342-768	2" KEVLAR PACKING	5
1	342-751	2 1/8" KEVLAR PACKING	5
1	342-003	2 1/4" KEVLAR PACKING	5
1	342-752	2 3/8" KEVLAR PACKING	5
1	342-004	2 1/2" KEVLAR PACKING	5
1	342-753	2 5/8" KEVLAR PACKING	5
1	324-018	2 3/4" KEVLAR PACKING	5
1	L342-168	2" GLAND	4
1	342-121	2 1/8" GLAND	4
1	342-005	2 1/4" GLAND	4
1	342-122	2 3/8" GLAND	4
1	342-006	2 1/2" GLAND	4
1	342-123	2 5/8" GLAND	4
1	342-022	2 3/4" GLAND	4
1	342-914	2 1/8" & 2" PIN	3
1	342-930	2 3/4", 2 5/8", 2 1/2", 2 3/8" & 2 1/4" PIN	3
1	L342-913	2 1/8" & 2" NUT	2
1	342-916	2 1/2", 2 3/8" & 2 1/4" NUT	2
1	342-928	2 3/4" & 2 5/8" NUT	2
1	L342-908	2" PLG'R x 2 3/4" BORE STUFFING BOX	1
1	342-948	2 1/8" PLG'R x 2 7/8" BORE STUFFING BOX	1
1	342-915	2 1/4" PLG'R x 3 1/4" BORE STUFFING BOX	1
1	342-915	2 3/8" PLG'R x 3 1/4" BORE STUFFING BOX	1
1	342-915	2 1/2" PLG'R x 3 1/4" BORE STUFFING BOX	1
1	342-952	2 5/8" PLG'R x 3 5/8" BORE STUFFING BOX	1
1	342-924	2 3/4" PLG'R x 3 3/4" BORE STUFFING BOX	1

LIST OF MATERIAL

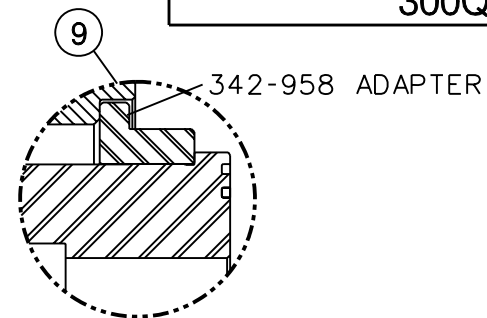
300Q - 5M PLUNGER KIT



TYPE A - 300Q - 5L



TYPE B - 300Q - 5L & M

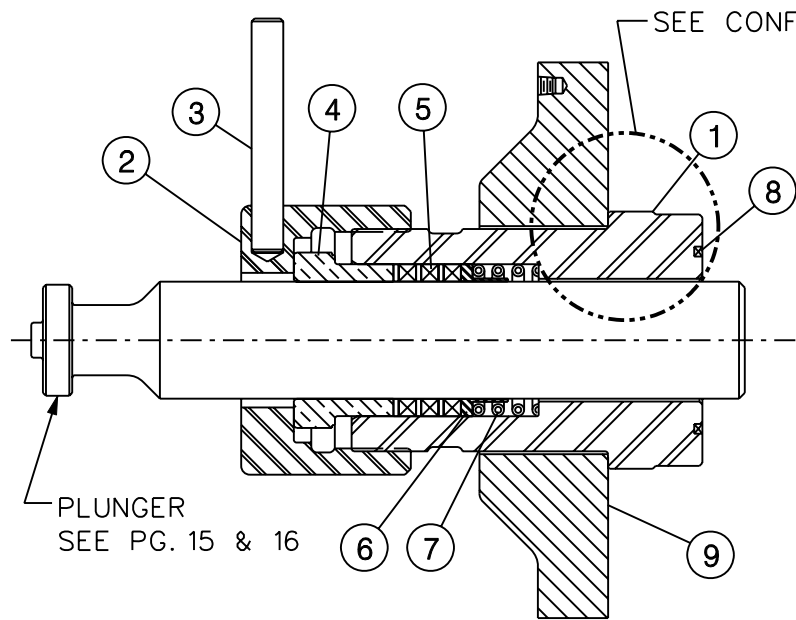


TYPE C - 300Q - 5M

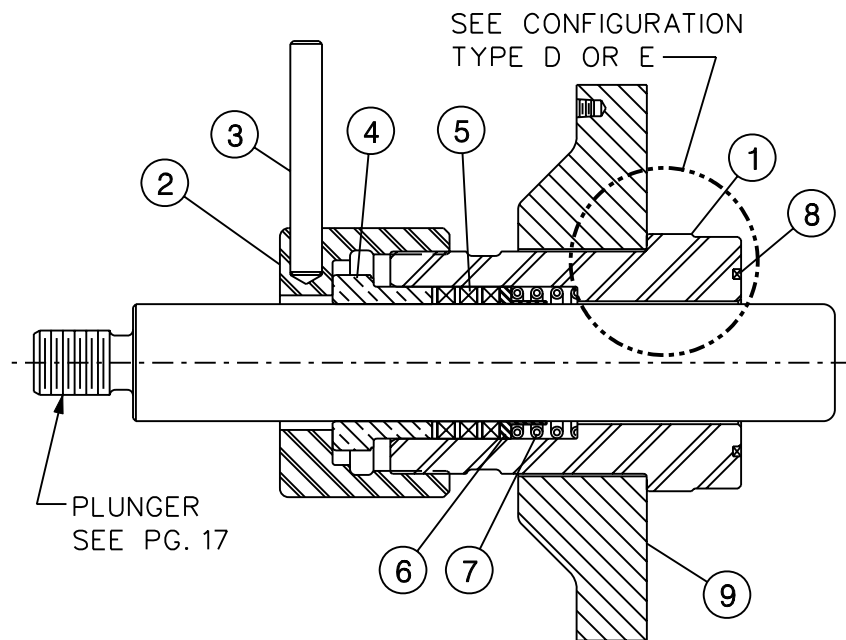


TITLE ASSEMBLY, SS PLUNGER KITS WITH KEVLAR PACKING 300Q-5L/5M PLUNGER PUMP

SIZE B	REFERENCE No.	DRAWING No. 1716365	REV A
SCALE 1/4	EST WT	SHEET 1 OF 1	



300Q - 5L, 5M & 5H PLUNGER KIT WITH CLAMPED PLUNGER



300Q - 5L, 5M & 5H PLUNGER KIT WITH THREADED PLUNGER

1	1713304-1	RETAINER, STUFFING BOX	9
1	2410031-334	SEAL, STUFFING BOX	8
1	L342-240	1 3/4", 1 5/8" & 1 1/2" SPRING	7
1	L342-260	2" & 1 7/8" SPRING	6
1	L342-344	1 1/2" FOLLOWER	6
1	L342-345	1 5/8" FOLLOWER	
1	L342-346	1 3/4" FOLLOWER	
1	L342-367	1 7/8" FOLLOWER	
1	L342-368	2" FOLLOWER	
1	L342-744	1 1/2" KEVLAR PACKING	5
1	L342-745	1 5/8" KEVLAR PACKING	
1	L342-746	1 3/4" KEVLAR PACKING	
1	L342-767	1 7/8" KEVLAR PACKING	
1	342-768	2" KEVLAR PACKING	
1	L342-544	1 1/2" GLAND	4
1	L342-545	1 5/8" GLAND	
1	L342-546	1 3/4" GLAND	
1	L342-167	1 7/8" GLAND	
1	L342-168	2" GLAND	
1	342-914	PIN	3
1	L342-913	NUT	2
1	342-919	1 1/2" PLG'R x 2 1/2" BORE STUFFING BOX	1
1	342-919	1 5/8" PLG'R x 2 1/2" BORE STUFFING BOX	
1	342-919	1 3/4" PLG'R x 2 1/2" BORE STUFFING BOX	
1	L342-908	1 7/8" PLG'R x 2 3/4" BORE STUFFING BOX	
1	L342-908	2" PLG'R x 2 3/4" BORE STUFFING BOX	

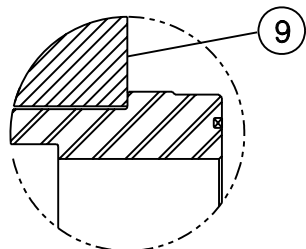
300Q - 5H PLUNGER KIT

1	1713304-1	RETAINER, STUFFING BOX	9
1	2410031-347	SEAL, STUFFING BOX	8
1	342-008	3" & 2 3/4" SPRING	7
1	342-014	2 3/4" FOLLOWER	6
1	342-015	3" FOLLOWER	
1	342-018	2 3/4" KEVLAR PACKING	5
1	342-019	3" KEVLAR PACKING	
1	342-022	2 3/4" GLAND	4
1	342-023	3" GLAND	
1	342-930	PIN	3
1	342-928	NUT	2
1	342-924	2 3/4" PLG'R x 3 3/4" BORE STUFFING BOX	1
1	342-924	3" PLG'R x 3 3/4" BORE STUFFING BOX	

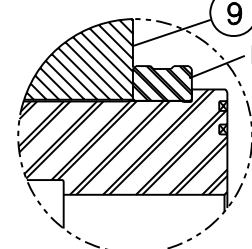
QTY REQ'D	PART NO.	DESCRIPTION	ITEM NO.
-----------	----------	-------------	----------

LIST OF MATERIAL

300Q - 5L PLUNGER KIT



TYPE D - 300Q - 5L & M



TYPE E - 300Q - 5M & 5H

1	1713304-1	RETAINER, STUFFING BOX	9
1	2410031-342	2 5/8", 2 1/2", 2 3/8", 2 1/4", 2 1/8" & 2" SEAL, STF. BOX	8
1	2410031-347	2 3/4" SEAL, STUFFING BOX	
1	L342-260	2 1/8" & 2" SPRING	7
1	342-000	2 1/2", 2 3/8" & 2 1/4" SPRING	
1	342-270	2 5/8" SPRING	
1	342-008	2 3/4" SPRING	
1	L342-368	2" FOLLOWER	
1	342-353	2 1/8" FOLLOWER	6
1	342-001	2 1/4" FOLLOWER	
1	342-354	2 3/8" FOLLOWER	
1	342-002	2 1/2" FOLLOWER	
1	342-355	2 5/8" FOLLOWER	
1	342-014	2 3/4" FOLLOWER	5
1	342-768	2" KEVLAR PACKING	
1	342-751	2 1/8" KEVLAR PACKING	
1	342-003	2 1/4" KEVLAR PACKING	
1	342-752	2 3/8" KEVLAR PACKING	
1	342-004	2 1/2" KEVLAR PACKING	4
1	342-753	2 5/8" KEVLAR PACKING	
1	324-018	2 3/4" KEVLAR PACKING	
1	L342-168	2" GLAND	
1	342-121	2 1/8" GLAND	
1	342-005	2 1/4" GLAND	3
1	342-122	2 3/8" GLAND	
1	342-006	2 1/2" GLAND	
1	342-123	2 5/8" GLAND	
1	342-022	2 3/4" GLAND	
1	342-914	2 1/8" & 2" PIN	2
1	342-930	2 3/4", 2 5/8", 2 1/2", 2 3/8" & 2 1/4" PIN	
1	L342-913	2 1/8" & 2" NUT	1
1	342-916	2 1/2", 2 3/8" & 2 1/4" NUT	
1	342-928	2 3/4" & 2 5/8" NUT	1
1	L342-908	2" PLG'R x 2 3/4" BORE STUFFING BOX	
1	342-948	2 1/8" PLG'R x 2 7/8" BORE STUFFING BOX	
1	342-915	2 1/4" PLG'R x 3 1/4" BORE STUFFING BOX	
1	342-915	2 3/8" PLG'R x 3 1/4" BORE STUFFING BOX	
1	342-915	2 1/2" PLG'R x 3 1/4" BORE STUFFING BOX	1
1	342-952	2 5/8" PLG'R x 3 5/8" BORE STUFFING BOX	
1	342-924	2 3/4" PLG'R x 3 3/4" BORE STUFFING BOX	

QTY REQ'D	PART NO.	DESCRIPTION	ITEM NO.
-----------	----------	-------------	----------

LIST OF MATERIAL

300Q - 5M PLUNGER KIT

PLUNGER SIZE	RETAINER/ADAPTER CONFIG. SEE DETAIL FOR TYPE
1 1/2"	TYPE E
1 5/8"	TYPE E
1 3/4"	TYPE E
1 7/8"	TYPE E
2"	TYPE E
2 1/8"	TYPE E
2 1/4"	TYPE D
2 3/8"	TYPE D
2 1/2"	TYPE D
2 5/8"	TYPE D
2 3/4"	TYPE D
3"	TYPE D

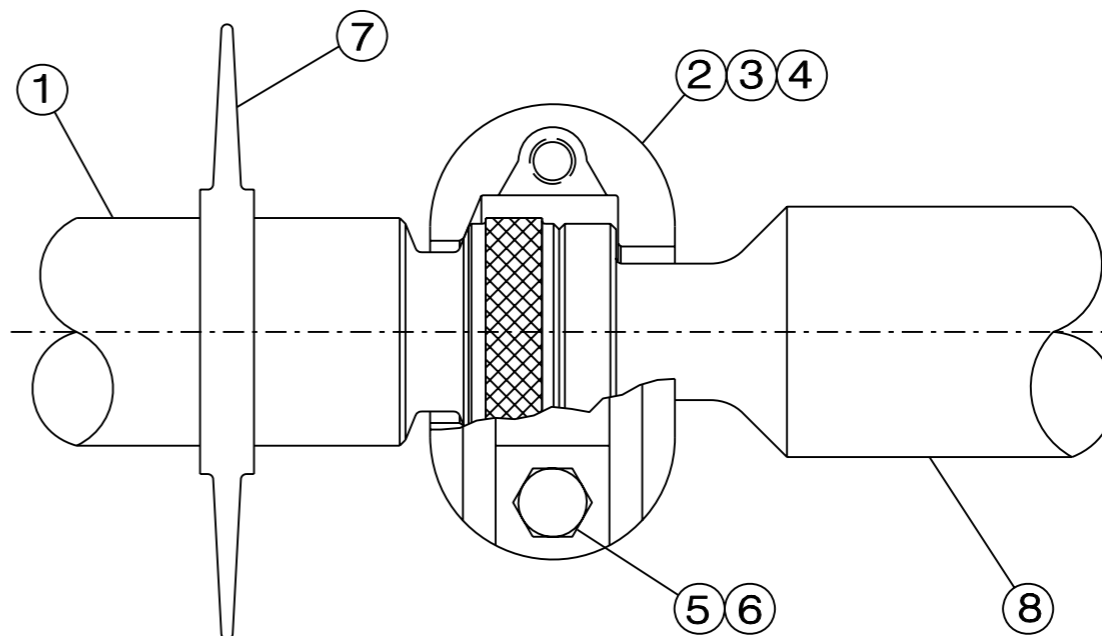


TITLE ASSEMBLY, SS PLUNGER KITS WITH KEVLAR PACKING 300Q-5L/5M/5H PLUNGER PUMP

SIZE	REFERENCE No.	DRAWING No.	REV
B		1716366	
SCALE	EST WT	SHEET 1 OF 1	
1 / 4			

BILL OF MATERIAL

ITEM	PART NO.	DESCRIPTION
1	340-019	INTERMEDIATE ROD STAINLESS
2	1716037	CLAMP CPT.
3	1716035	BOLT HALF
4	1716036	THREAD HALF
5	700031211	SCREW, H.H. CAP
6	7616050	WASHER, SPRING LOCK
7	1717016	BAFFLE, INTERMEDIATE ROD



STRAIGHT / TAPER CLAMP

PLUNGERS FOR STRAIGHT / TAPER CLAMPS

300Q - 5L

ITEM	*PART NO.*	PART NO.	DESCRIPTION
8	1716166	340-204	4" CARBIDE PLUNGER
	1716165	340-203	3-3/4 " CARBIDE PLUNGER
	1716164	340-010	3-1/2 " CARBIDE PLUNGER
	1716163	340-004	3-1/4 " CARBIDE PLUNGER
	1716162	340-012	3" CARBIDE PLUNGER
	1716160	340-011	2-3/4 " CARBIDE PLUNGER

300Q - 5M

1716160	340-011	2-3/4" CARBIDE PLUNGER
1716159	340-202	2-5/8 " CARBIDE PLUNGER
1716158	340-150	2-1/2 " CARBIDE PLUNGER
1716157	340-201	2-3/8 " CARBIDE PLUNGER
1716156	340-149	2-1/4" CARBIDE PLUNGER
1716155	340-200	2-1/8 " CARBIDE PLUNGER
1716154	L340-148	2" CARBIDE PLUNGER

300Q - 5H

1716154	L340-148	2" CARBIDE PLUNGER
1716153	L340-147	1-7/8 " CARBIDE PLUNGER
1716152	L340-146	1-3/4 " CARBIDE PLUNGER
1716151	340-145	1-5/8 " CARBIDE PLUNGER
1716150	340-144	1-1/2" CARBIDE PLUNGER

PLUNGERS FOR STRAIGHT / TAPER CLAMPS

300Q - 5L

ITEM	PART NO.	DESCRIPTION
8	1716066	4" CERAMIC PLUNGER
	1716065	3-3/4 " CERAMIC PLUNGER
	1716064	3-1/2 " CERAMIC PLUNGER
	1716063	3-1/4 " CERAMIC PLUNGER
	1716062	3" CERAMIC PLUNGER
	1716060	2-3/4 " CERAMIC PLUNGER

300Q - 5M

1716060	2-3/4" CERAMIC PLUNGER
1716059	2-5/8 " CERAMIC PLUNGER
1716058	2-1/2 " CERAMIC PLUNGER
1716057	2-3/8 " CERAMIC PLUNGER
1716056	2-1/4" CERAMIC PLUNGER
1716055	2-1/8 " CERAMIC PLUNGER
1716054	2" CERAMIC PLUNGER

300Q - 5H

1716054	2" CERAMIC PLUNGER
1716053	1-7/8 " CERAMIC PLUNGER
1716052	1-3/4 " CERAMIC PLUNGER
1716051	1-5/8 " CERAMIC PLUNGER
1716050	1-1/2" CERAMIC PLUNGER

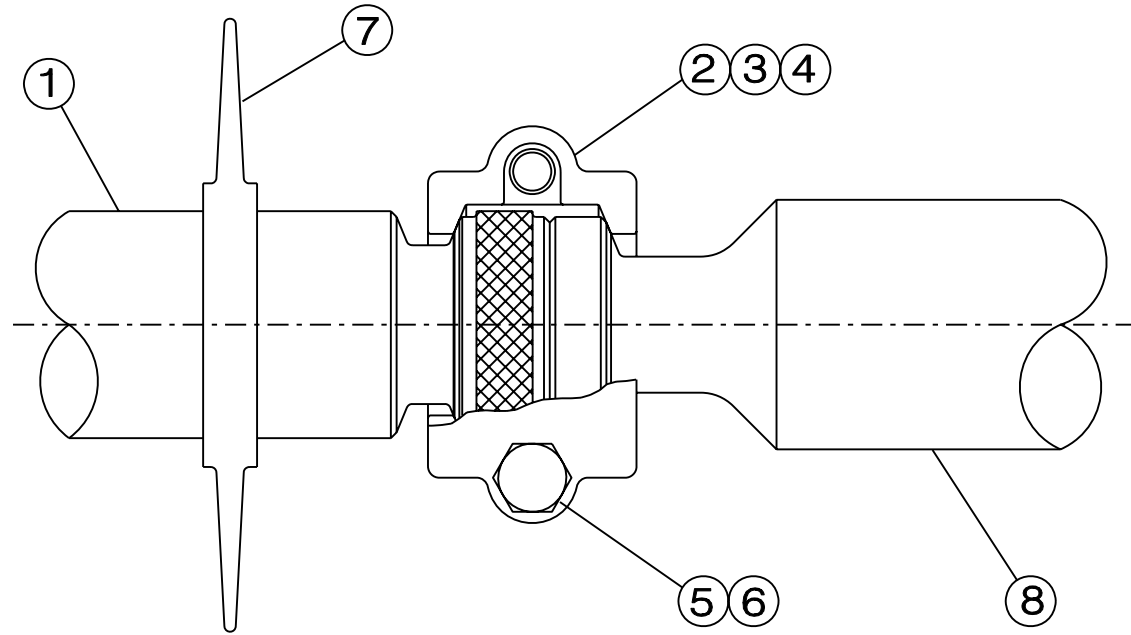
* LISTED PART NUMBERS WERE PREVIOUSLY HARD COAT PLUNGERS.



TITLE PLUNGER/INTERMEDIATE ROD ASSY. STRAIGHT / TAPER CLAMP 300Q-5 PLUNGER PUMP			
SIZE C	REFERENCE No.	DRAWING No. 1716362	REV
SCALE 1 / 1	EST WT	SHEET 1 OF 1	

BILL OF MATERIAL

ITEM	PART NO.	DESCRIPTION
1	340-019	INTERMEDIATE ROD STAINLESS
2	340-007	CLAMP CPT.
3	340-007-1	BOLT HALF
4	340-007-2	THREAD HALF
5	195-092	SCREW, H.H. CAP
6	195-093	WASHER, SPRING LOCK
7	1717016	BAFFLE, INTERMEDIATE ROD



DOUBLE TAPER CLAMP

PLUNGERS FOR DOUBLE TAPER CLAMPS

300Q - 5L

ITEM	PART NO.	PART NO.	DESCRIPTION
8	1717170	340-270	4" CARBIDE PLUNGER
	1717168	340-269	3-3/4 " CARBIDE PLUNGER
	1717166	340-268	3-1/2 " CARBIDE PLUNGER
	1717164	340-267	3-1/4 " CARBIDE PLUNGER
	1717162	340-266	3" CARBIDE PLUNGER
	1717160	340-265	2-3/4 " CARBIDE PLUNGER

300Q - 5M

1717160	340-265	2-3/4" CARBIDE PLUNGER
1717159	340-264	2-5/8 " CARBIDE PLUNGER
1717158	340-263	2-1/2 " CARBIDE PLUNGER
1717157	340-262	2-3/8 " CARBIDE PLUNGER
1717156	340-261	2-1/4" CARBIDE PLUNGER
1717155	340-260	2-1/8 " CARBIDE PLUNGER
1717154	340-259	2" CARBIDE PLUNGER

300Q - 5H

1717154	340-259	2" CARBIDE PLUNGER
1717153	340-258	1-7/8 " CARBIDE PLUNGER
1717152	340-257	1-3/4 " CARBIDE PLUNGER
1717151	340-256	1-5/8 " CARBIDE PLUNGER
1717150	340-255	1-1/2" CARBIDE PLUNGER

PLUNGERS FOR DOUBLE TAPER CLAMPS

300Q - 5L

ITEM	PART NO.	DESCRIPTION
8	1717070	4" CERAMIC PLUNGER
	1717068	3-3/4 " CERAMIC PLUNGER
	1717066	3-1/2 " CERAMIC PLUNGER
	1717064	3-1/4 " CERAMIC PLUNGER
	1717062	3" CERAMIC PLUNGER
	1717060	2-3/4 " CERAMIC PLUNGER

300Q - 5M

1717060	2-3/4" CERAMIC PLUNGER
1717059	2-5/8 " CERAMIC PLUNGER
1717058	2-1/2 " CERAMIC PLUNGER
1717057	2-3/8 " CERAMIC PLUNGER
1717056	2-1/4" CERAMIC PLUNGER
1717055	2-1/8 " CERAMIC PLUNGER
1717054	2" CERAMIC PLUNGER

300Q - 5H

1717054	2" CERAMIC PLUNGER
1717053	1-7/8 " CERAMIC PLUNGER
1717052	1-3/4 " CERAMIC PLUNGER
1717051	1-5/8 " CERAMIC PLUNGER
1717050	1-1/2" CERAMIC PLUNGER

CAUTION: FOR REFERENCE ONLY

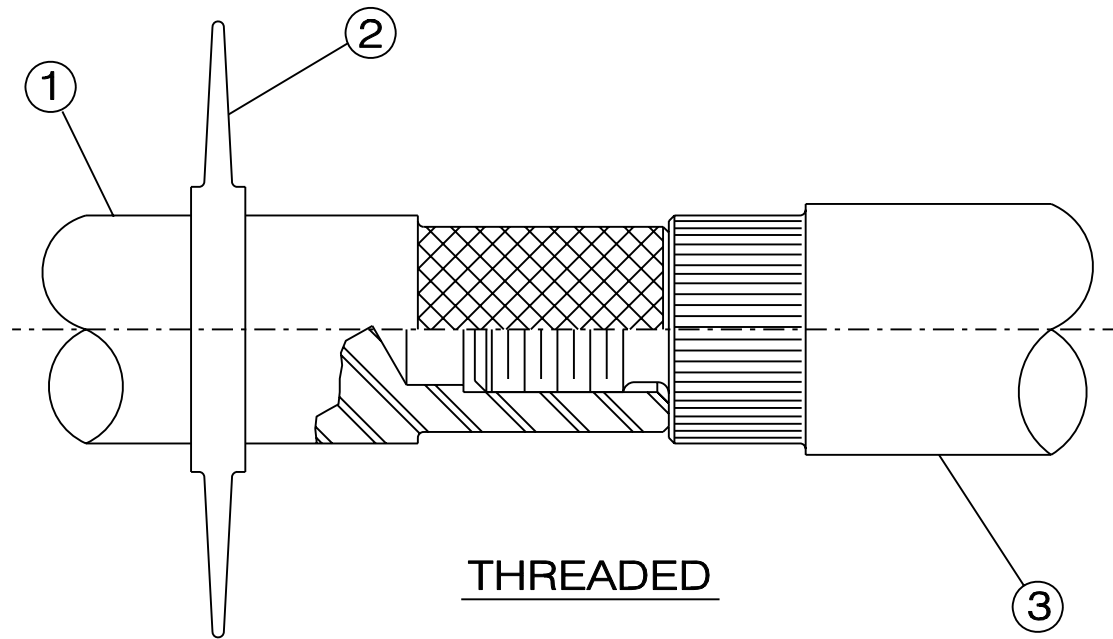
- OBSOLETE DESIGN -
SEE DWG. 1716362 OR
1716364 FOR CURRENT DESIGN

NOV NATIONAL OILWELL VARCO

TITLE PLUNGER/INTERMEDIATE ROD ASSY. DOUBLE TAPER CLAMP 300Q-5 PLUNGER PUMP			
SIZE C	REFERENCE No.	DRAWING No. 1716363	REV
SCALE 1/1	EST WT	SHEET 1 OF 1	

BILL OF MATERIAL

ITEM	PART NO.	DESCRIPTION
1	340-023	INTERMEDIATE ROD STAINLESS
2	1717016	BAFFLE, INTERMEDIATE ROD



THREADED PLUNGERS

300Q - 5L

ITEM	*PART NO.*	PART NO.	DESCRIPTION
3	1712264	340-199	4" CARBIDE PLUNGER
	1712265	340-198	3-3/4 " CARBIDE PLUNGER
	1712266	340-197	3-1/2 " CARBIDE PLUNGER
	1712267	340-196	3-1/4 " CARBIDE PLUNGER
	1712268	340-195	3" CARBIDE PLUNGER
	1712269	340-194	2-3/4 " CARBIDE PLUNGER

300Q - 5M

1712269	340-194	2-3/4" CARBIDE PLUNGER
1712589	340-193	2-5/8 " CARBIDE PLUNGER
1712270	340-192	2-1/2 " CARBIDE PLUNGER
1712376	340-191	2-3/8 " CARBIDE PLUNGER
1712271	340-190	2-1/4" CARBIDE PLUNGER
1712447	340-189	2-1/8 " CARBIDE PLUNGER
1712272	L340-188	2" CARBIDE PLUNGER

300Q - 5H

1712272	L340-188	2" CARBIDE PLUNGER
1712445	L340-187	1-7/8 " CARBIDE PLUNGER
1712273	340-186	1-3/4 " CARBIDE PLUNGER
1712274	340-185	1-5/8 " CARBIDE PLUNGER
1712275	340-184	1-1/2" CARBIDE PLUNGER

THREADED PLUNGERS

300Q - 5L

ITEM	PART NO.	DESCRIPTION
3	1712082	4" CERAMIC PLUNGER
	1712081	3-3/4 " CERAMIC PLUNGER
	1712080	3-1/2 " CERAMIC PLUNGER
	1712079	3-1/4 " CERAMIC PLUNGER
	1712078	3" CERAMIC PLUNGER
	1712042	2-3/4 " CERAMIC PLUNGER

300Q - 5M

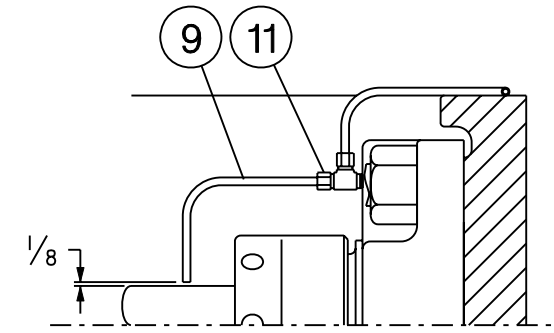
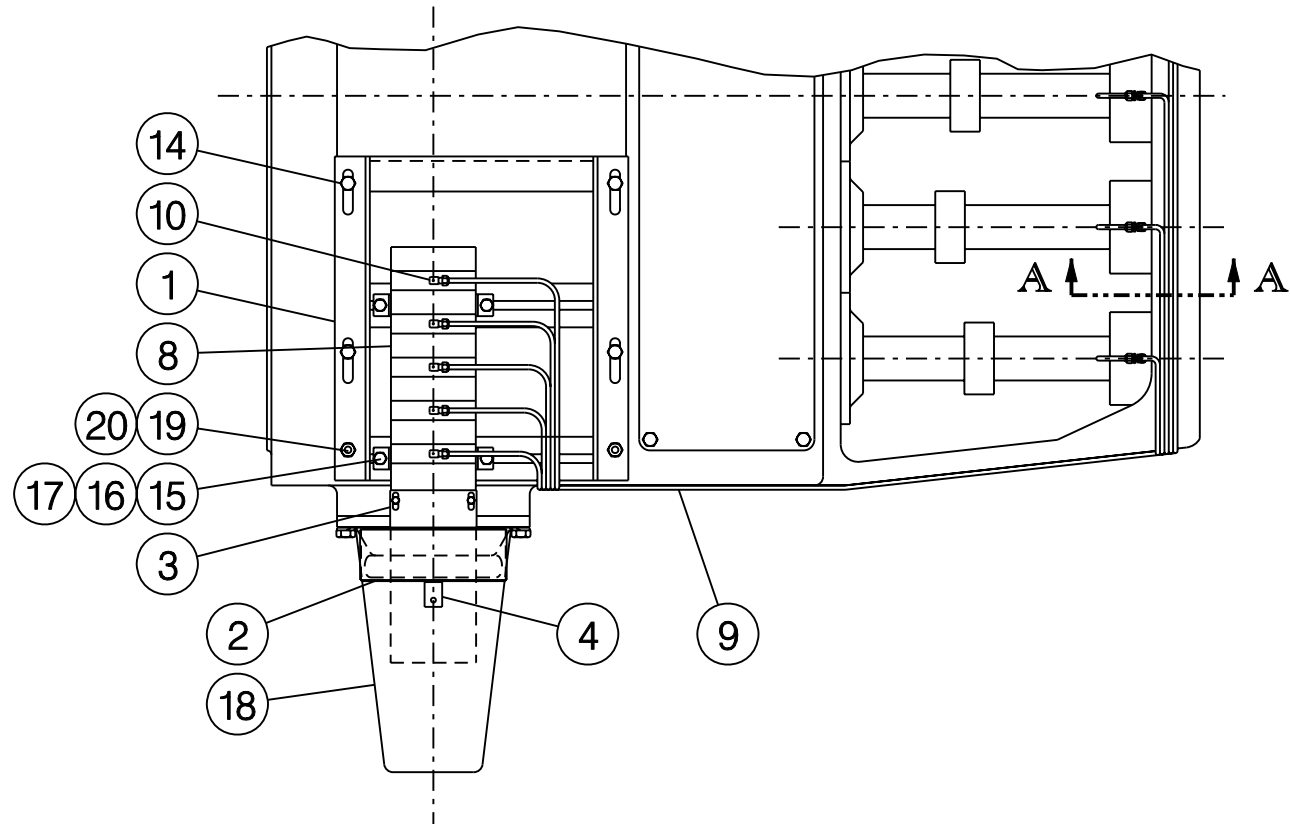
1712042	2-3/4" CERAMIC PLUNGER
1712588	2-5/8 " CERAMIC PLUNGER
1712041	2-1/2 " CERAMIC PLUNGER
1712377	2-3/8 " CERAMIC PLUNGER
1712040	2-1/4" CERAMIC PLUNGER
1712331	2-1/8 " CERAMIC PLUNGER
1712039	2" CERAMIC PLUNGER

300Q - 5H

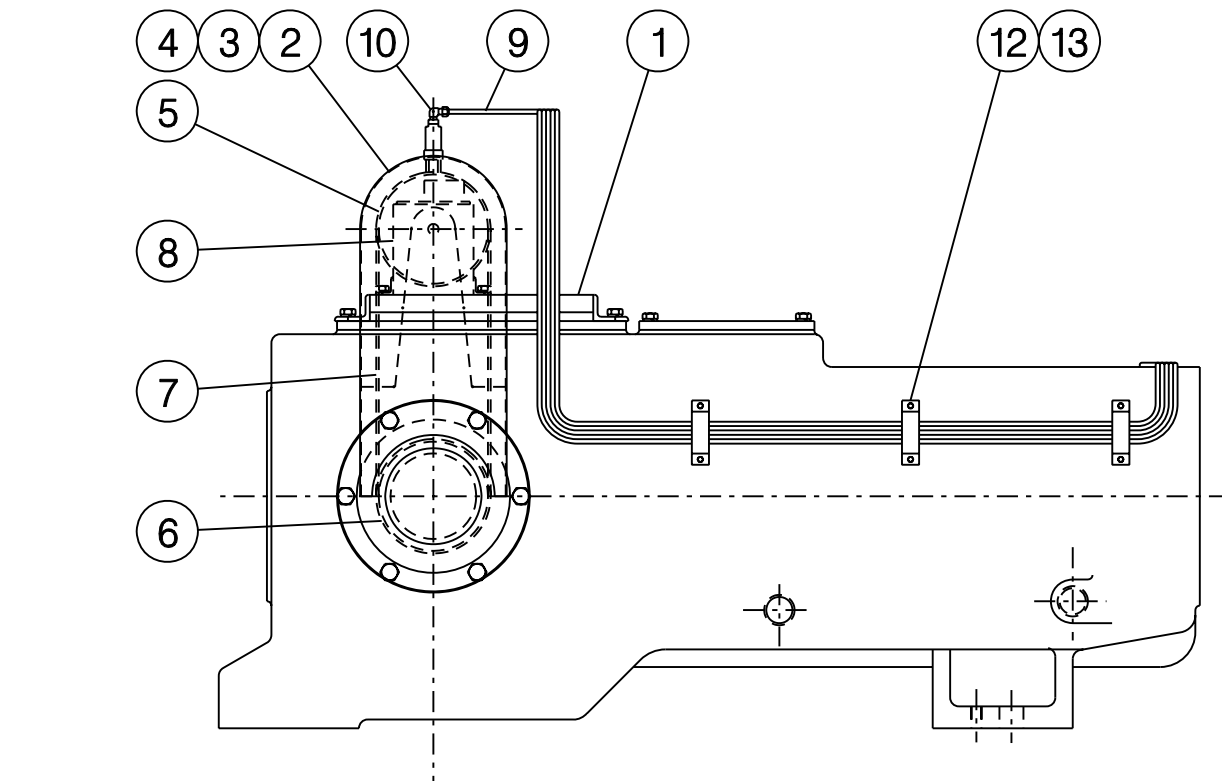
1712039	2" CERAMIC PLUNGER
1712459	1-7/8 " CERAMIC PLUNGER
1712038	1-3/4 " CERAMIC PLUNGER
1712150	1-5/8 " CERAMIC PLUNGER
1712037	1-1/2" CERAMIC PLUNGER

* LISTED PART NUMBERS WERE PREVIOUSLY HARD COAT PLUNGERS

NOV NATIONAL OILWELL VARCO			
TITLE PLUNGER/INTERMEDIATE ROD ASSY. THREADED PLUNGER 300Q-5 PLUNGER PUMP			
SIZE C	REFERENCE No.	DRAWING No. 1716364	REV
SCALE 1/1	EST WT	SHEET 1 OF 1	



SECTION A-A
SCALE: NONE



2	6320080	6320080	NUT, 1/2" HEX JAM	20
2	7016310	7016310	SCREW, 1/2" x 2 1/2" SQ HD CUP PT - SET	19
1	1713111	1713111	COVER, CRANKSHAFT EXTENSION - LONG w/ CUTOUT	18
	1713112	1713112	COVER, CRANKSHAFT EXTENSION - SHORT w/ CUTOUT	
4	6300070	6300070	NUT, HEX 7/16"	17
20	7600032	7600032	WASHER, 1/2" N TYPE A 1.062 O.D.	16
4	7000258-11	7000258-11	SCREW, HEX HD CAP 7/16" x 1 1/2" GR5 CAD PLTD	15
4	7000306-11	7000306-11	SCREW, HEX HD CAP 1/2" x 1 3/4" GR5 CAD PLTD	14
6	7168073	7168073	SCREW, HEX HD *8-32 x 1/4" TYPE F SELF TAPPING	13
3	7802201	7802201	CLIP, MULTI-LINE TUBING	12
5	25854704		TEE, 1/4" TUBE x 1/4" TUBE x 1/8" NPT S.S.	11
		G7819165	TEE, 1/4" TUBE x 1/4" TUBE x 1/8" NPT	
5	64226988		ELBOW, 90° x 1/4" TUBE x 1/8" NPT S.S.	10
		7804080	ELBOW, 90° x 1/4" TUBE x 1/8" NPT	
45FT	64699402		TUBING, STAINLESS STEEL 1/4" OD x .035 WALL	9
		7400420	TUBING, COPPER ASTM B68 1/4" OD x .032 WALL	
1	7811075	7811075	LUBRICATOR, 5 FEED (LH)	8
	7811073	7811073	LUBRICATOR, 5 FEED (RH)	
1	4712530	4712530	BELT, V *2530	7
1	1713021	1713021	SHEAVE, DRIVER 6" PD	6
1	7200020	7200020	SHEAVE, LUBRICATOR 6.2" PD	5
1	1790074	1790074	BRACKET, LUBRICATOR GUARD - BOTTOM	4
1	1790051	1790051	BRACKET, LUBRICATOR GUARD - TOP	3
1	1710125	1710125	GUARD, LUBRICATOR BELT (INCLS ITEMS 3 AND 4)	2
1	1713045	1713045	BRACKET, LUBRICATOR MOUNTING	1
QTY REQ'D	PART NO.	PART NO.	DESCRIPTION /MATERIAL /SPECIFICATION	ITEM NO.
	LUBRICATOR ASSY. COMPLETE WITH STAINLESS STEEL LINES P/N 1716122RSS	LUBRICATOR ASSY. COMPLETE WITH COPPER LINES P/N 1716122		

LIST OF MATERIAL

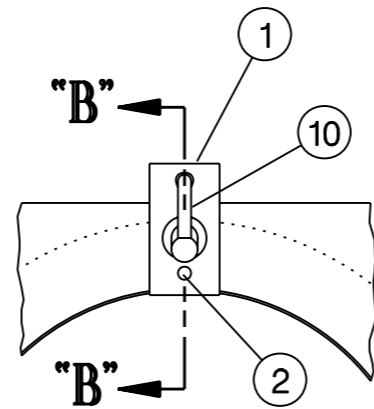
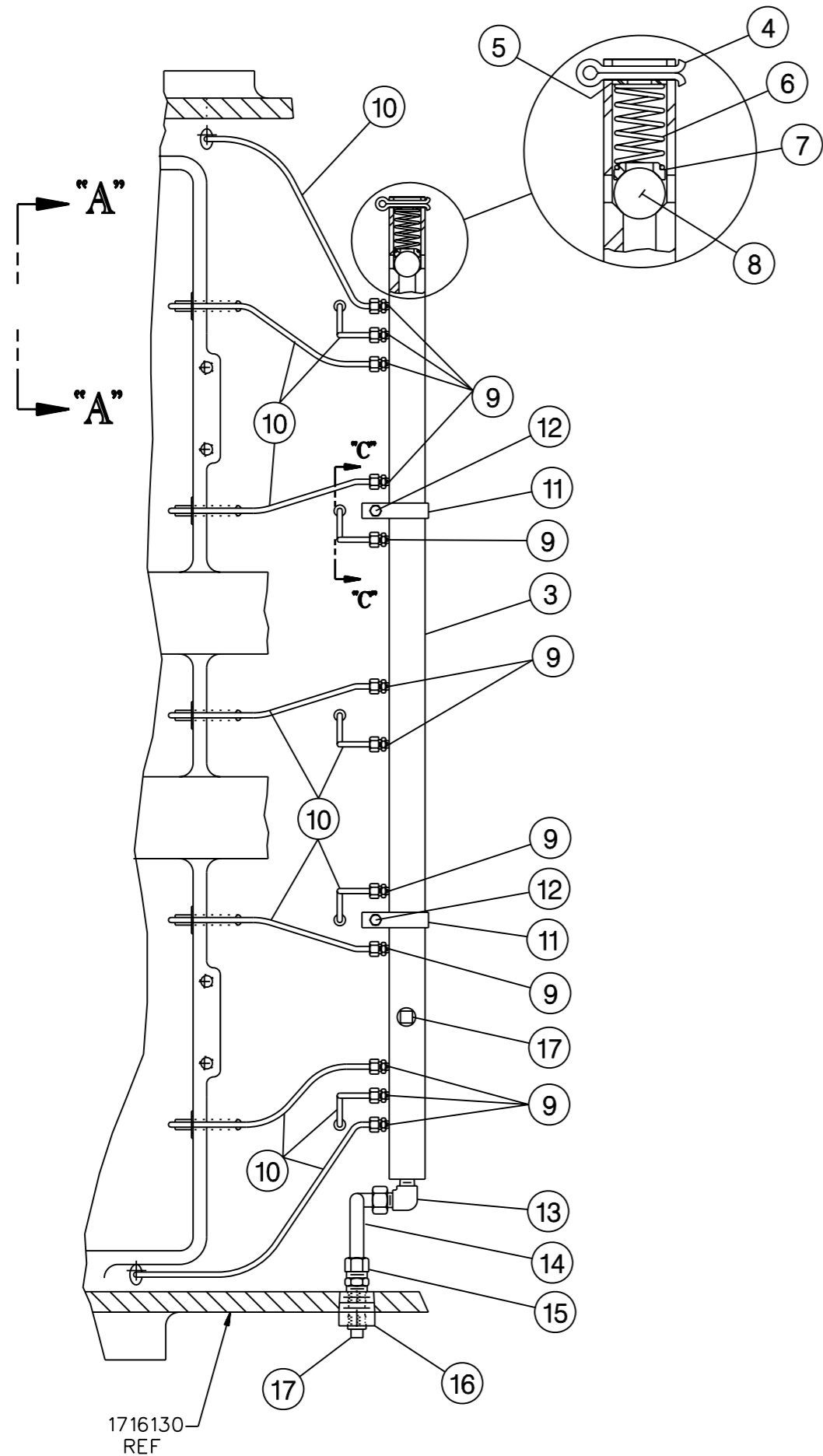
NOTES:

R.H. LUBRICATOR SHOWN.
L.H. OPPOSITE

NOV NATIONAL OILWELL VARCO

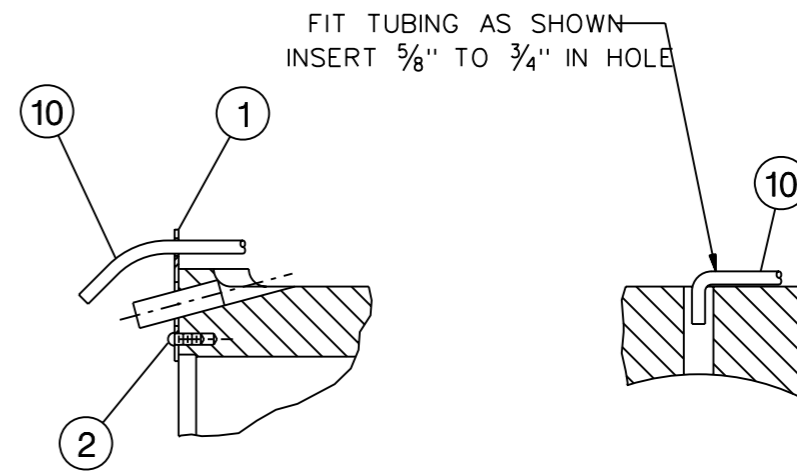
TITLE
LUBRICATOR PIPING ASSEMBLY
LUBRICATOR - 5 FEED (R.H. OR L.H.)
300Q-5 QUINT. PLUNGER PUMP

SIZE	REFERENCE No.	DRAWING No.	REV
B		1716122	A
SCALE	EST WT	SHEET 1 OF 1	
NONE			



VIEW "A-A"

ROTATED 90° CCW
SCALE: NONE



SECTION "B-B"

SCALE: NONE

SECTION "C-C"

SCALE: NONE

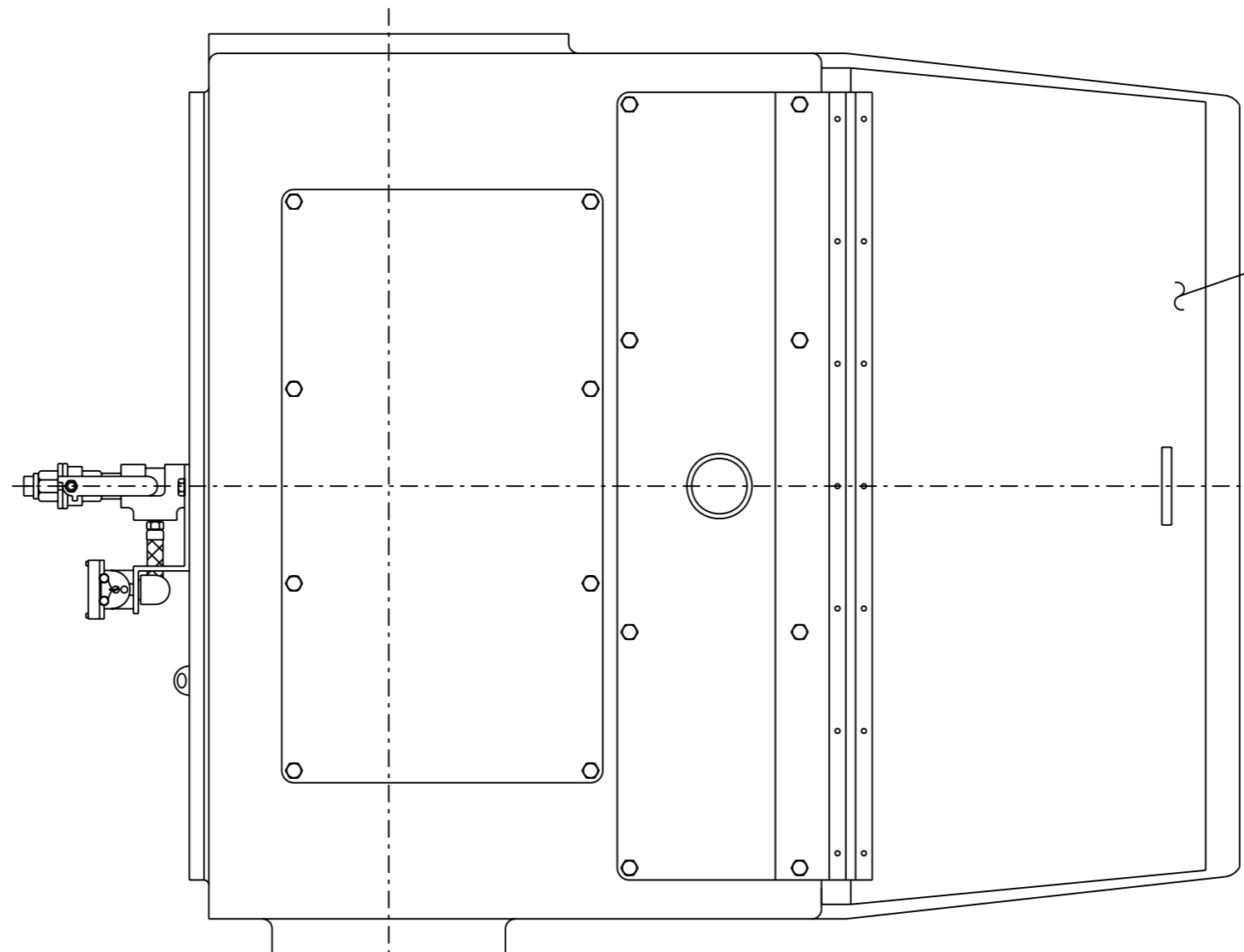
2	6874003		PLUG, 3/8" SQ HD SOLID	17
1	G-1717032		ADAPTER, GAUGE CONNECTION	16
1	G-7802483		CONNECTOR, 1468 X 8K (3/8" P x 1/2" T)	15
1'- 0	G-7819150		TUBING, 1/2" SYNFLEX	14
1	7804265		ELBOW, 1469 x 8 x 8 (1/2" P x 1/2" T)	13
2	7000104-11		SCREW, HEX HD CAP 1/4" x 1/2"	12
2	7802065		CLAMP, 1" PIPE	11
12'-0	G-7400320		TUBING, COPPER ANN 3/16" OD x .035 WALL	10
12	G-7802484		CONNECTOR, #68 X 3 (1/8" P x 3/16" T)	9
1	1709107		BALL, VALVE	8
1	1709105		RETAINER, SPRING	7
1	1709103		SPRING, BALL VALVE	6
1	7600026		WASHER, 3/8" W TYPE A 1.000 OD	5
1	6501612		PIN, COTTER 1/4" x 1 1/2"	4
1	1716131		PIPE, POWER END LUBRICATION	3
5	7178088		SCREW, RD HD DR TYPE U #10 x 3/8"	2
5	G-1717033		BRACKET, OIL LINE	1
QTY REQ'D	PART NO.	IDENT CODE NO	DESCRIPTION	ITEM NO.

LIST OF MATERIAL

NOV NATIONAL OILWELL VARCO

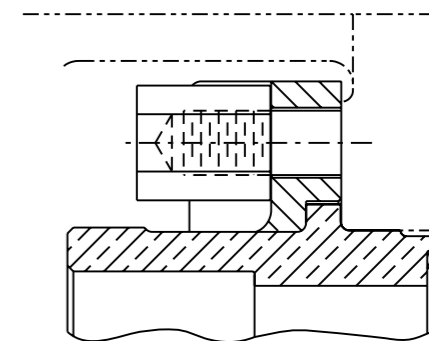
TITLE
PIPING, LOW SPEED LUBRICATION
300Q-5 PLUNGER PUMP

SIZE B	REFERENCE No.	DRAWING No. 1716132	REV A
SCALE NONE	EST WT	SHEET 1 OF 1	



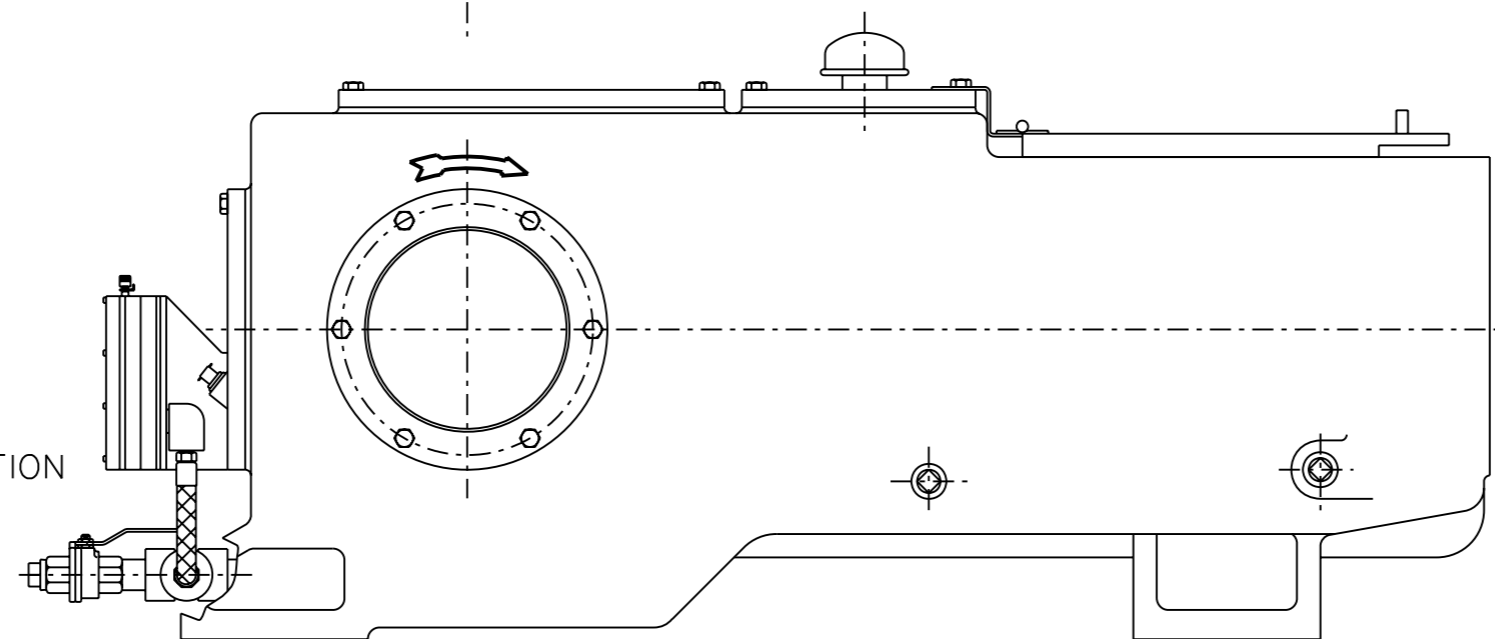
PLUNGER CHAMBER COVER
P/N 1716354 (14 GA. STL.)

STUFFING BOX RETAINER
1 3/8" ACORN NUT OPTION
P/N 1712024 (ALUM. BRZ.)



300Q - 5L, 5M or 5H

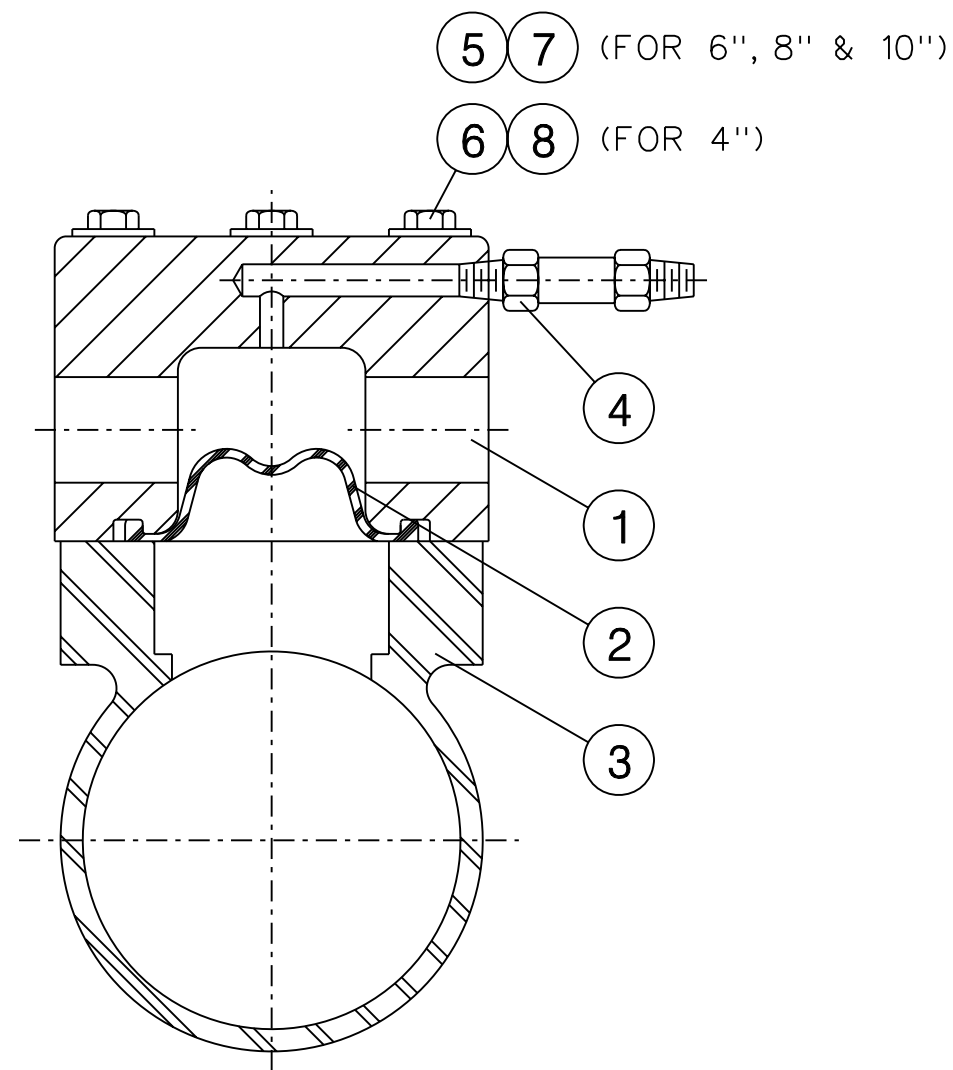
(STUFFING BOX & RETAINER SHOWN
ARE REPRESENTATIVE ONLY)



OIL LEVEL SWITCH ASSY.
(TYPICAL ARRANGEMENT)
MURPHY L-129 SHOWN

SWITCH MODEL, LOCATION &
PIPING ARRANGEMENT WILL
VARY DEPENDING ON APPLICATION

NOV NATIONAL OILWELL VARCO			
TITLE OPTIONAL ACCESSORIES 300Q-5 PLUNGER PUMP			
SIZE B	REFERENCE No.	DRAWING No. 1716377	REV
SCALE 1/8	EST WT	SHEET 1 OF 1	



*

14	7600020	WASHER, 5/16" (FOR 4")	14
18	7600032	WASHER, 1/2" (FOR 6", 8" & 10")	13
14	7000157-11	CAPSCREW, 5/16-18 x 1" LG. (FOR 4")	12
18	7000304-11	CAPSCREW, 1/2-13 x 1/4" LG. (FOR 6", 8" & 10")	11
1	1712218	GASKET, BLANKING PLATE (FOR 6", 8" & 10")	10
1	6000004	GASKET, BLANKING PLATE (FOR 4")	
1	1712217	PLATE, BLANKING (FOR 6", 8" & 10")	9
1	X17-1569	PLATE, BLANKING (FOR 4")	
14	7600020	WASHER, 5/16" (FOR 4")	8
18	7600032	WASHER, 1/2" (FOR 6", 8" & 10")	7
14	7000168-11	CAPSCREW, 5/16-18 x 3 3/4" LG. (FOR 4")	6
18	7000316-11	CAPSCREW, 1/2-13 x 4" LG. (FOR 6", 8" & 10")	5
1	7500021	CHECK VALVE, 1/8" (FOR 4", 6", 8" & 10")	4
1	1713201	10" PIPE BODY	3
1	1712501	8" PIPE BODY	
1	1712251	6" PIPE BODY	
1	1712250	4" PIPE BODY	2
1	1712327	10" DIAPHRAGM	
1	1712327	8" DIAPHRAGM	
1	1712327	6" DIAPHRAGM	
1	1712262	4" DIAPHRAGM	1
1	1712329	10" DAMPENER	
1	1712329	8" DAMPENER	
1	1712329	6" DAMPENER	
1	1712290	4" DAMPENER	
	1713200	DAMPENER COMPLETE - 10" (29" LG.)	
	1712502	DAMPENER COMPLETE - 8" (29" LG.)	
	1712253	DAMPENER COMPLETE - 6" (28" LG.)	
	1712252	DAMPENER COMPLETE - 4" (25 1/2" LG.)	
QTY REQ'D	PART NO.	DESCRIPTION	ITEM NO.

LIST OF MATERIAL

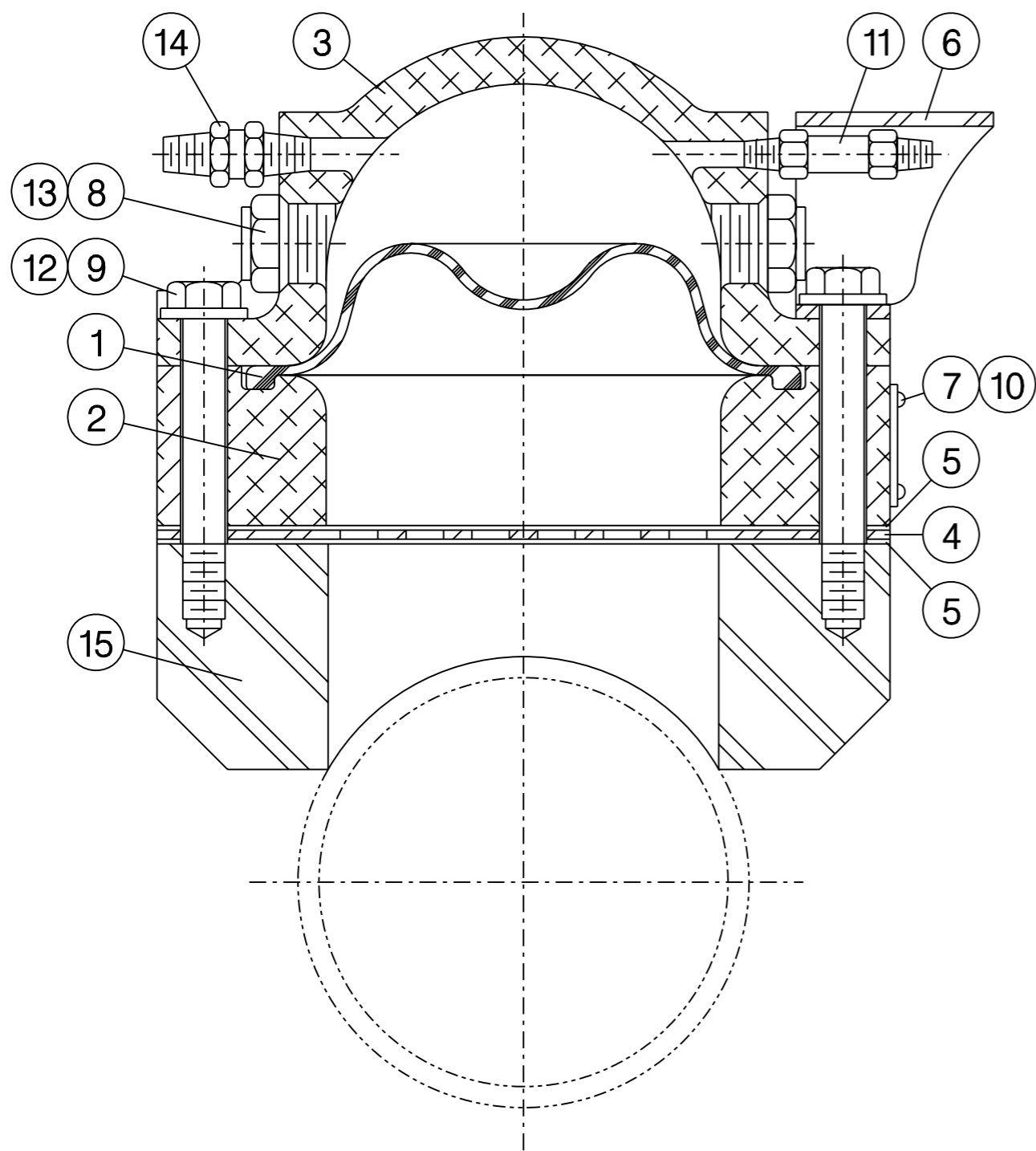
NOV NATIONAL OILWELL VARCO

TITLE LOW PRESSURE PLASTIC BODY
IN-LINE SUCTION DAMPENER (WELD-ON)
PLUNGER PUMPS

SIZE REFERENCE No. DRAWING No. REV
B 1716378

SCALE 1/2 EST WT SHEET 1 OF 1

* L/M FOR BLANKING PLATE ASSEMBLY
ITEMS #9 THRU #14 ARE NOT SHOWN



1	1292234	PLATE, MOUNTING (FOR 12")	15
1	1290209	PLATE, MOUNTING (FOR 10")	
1	1290211	PLATE, MOUNTING (FOR 8")	
1	1291271	PLATE, MOUNTING (FOR 6")	
1	7500396	VALVE, RELIEF 1/4" NPT #559B-2M-70	14
1	7815106	PLUG, SIGHT TEDECO #W-54	13
32	7600036	WASHER, 9/16 N TYPE "A" 1.159 O.D.	12
1	7500021	VALVE, CHECK - DILL #02500-100AA-643VC	11
8	7178025	DRIVESCREW, #2 x 1/4" LG. ROUND HD.	10
32	7000361-11	CAPSCREW, 9/16-12UNC x 4" LG. HEX HD.	9
2	2410031-024	PACKING, SIGHT PLUG	8
1	2407136	PLATE, INSTRUCTION	7
1	1290228	GUARD, AIR VALVE	6
2	1290199	GASKET	5
1	1290198	RETAINER	4
1	1290197	COVER	3
1	1290196	SPACER	2
1	1290195	DIAPHRAGM	1
	1292233	DAMPENER COMPLETE - 12" (34 1/2" LG.)	
	1290208	DAMPENER COMPLETE - 10" (34 1/2" LG.)	
	1290210	DAMPENER COMPLETE - 8" (34 1/2" LG.)	
	1291270	DAMPENER COMPLETE - 6" (34 1/2" LG.)	
QTY REQ'D	PART NO.	DESCRIPTION	ITEM NO.
LIST OF MATERIAL			

*

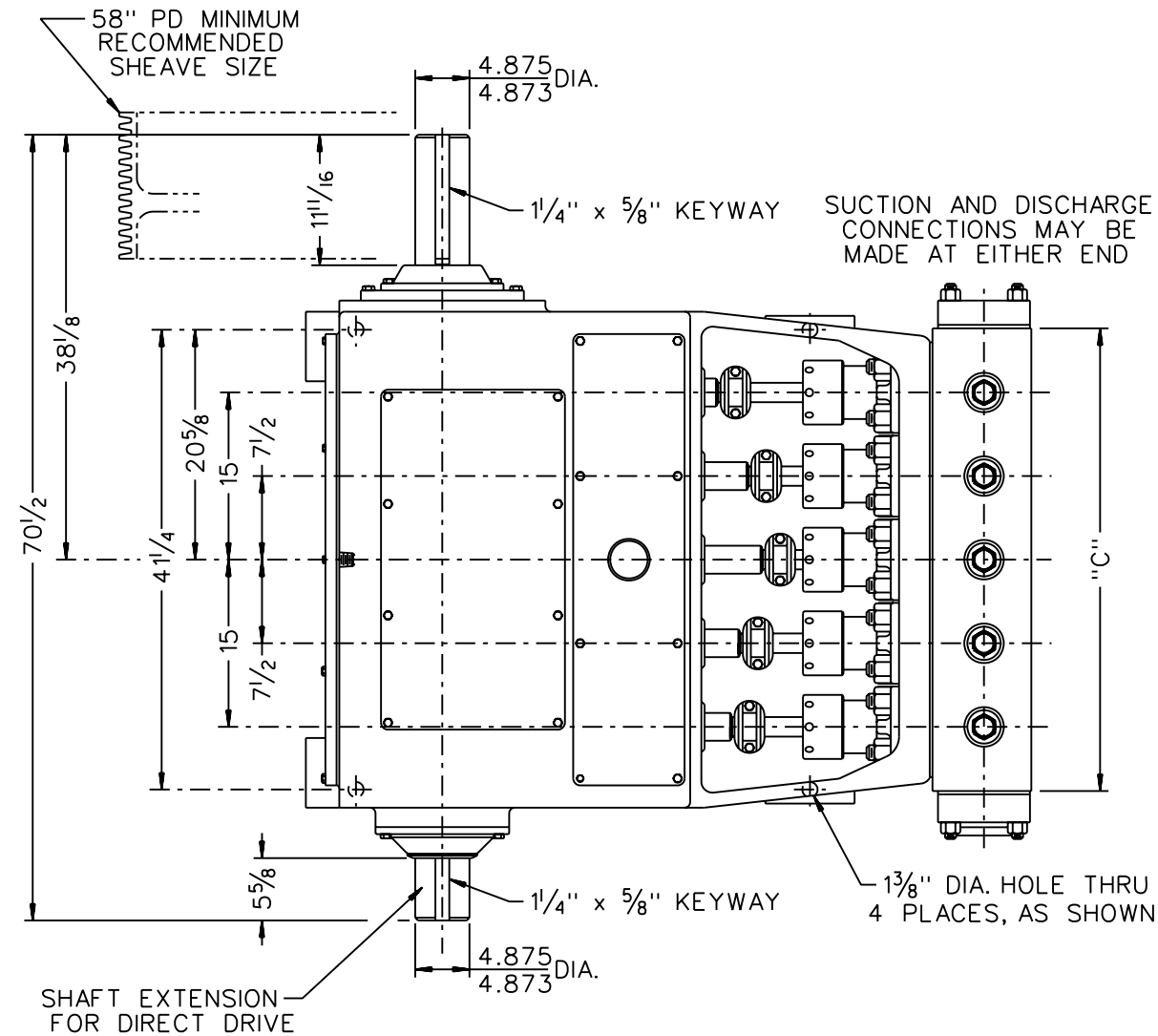
* FOR 6", 8", 10" & 12" DIA. DAMPENERS

NOV NATIONAL OILWELL VARCO

TITLE HIGH PRESSURE ALUMINUM BODY
IN-LINE SUCTION DAMPENER (WELD-ON)
PLUNGER PUMPS

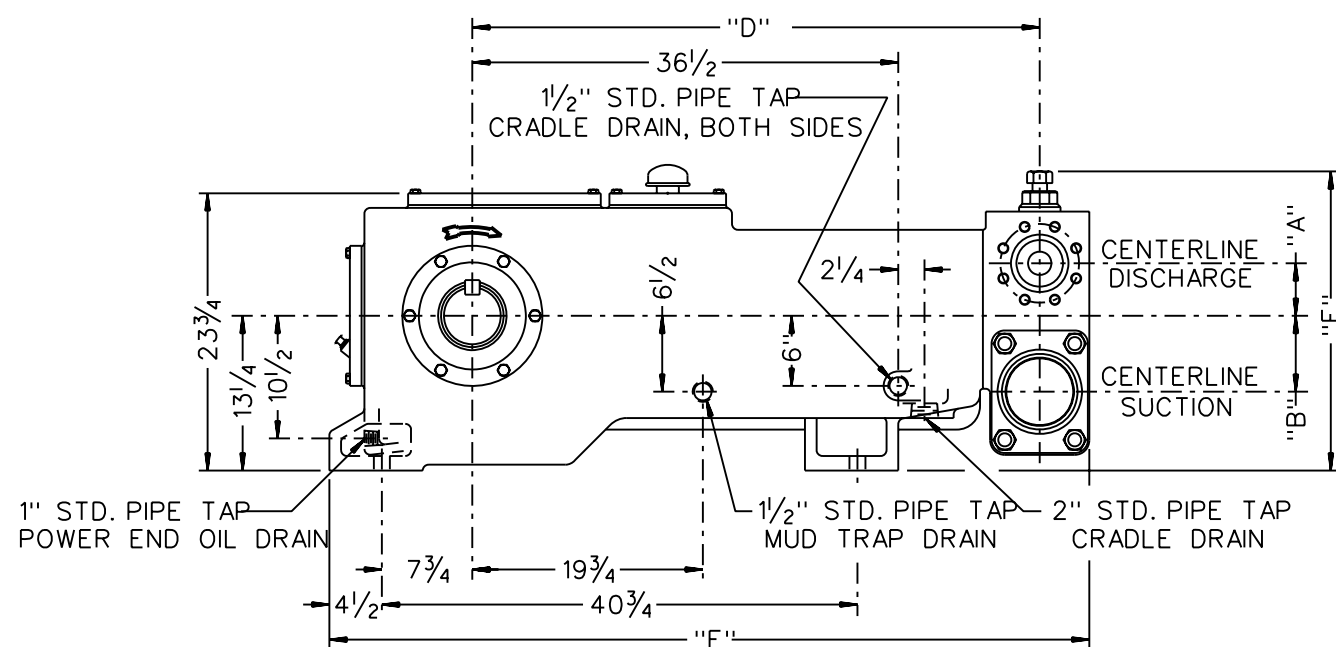
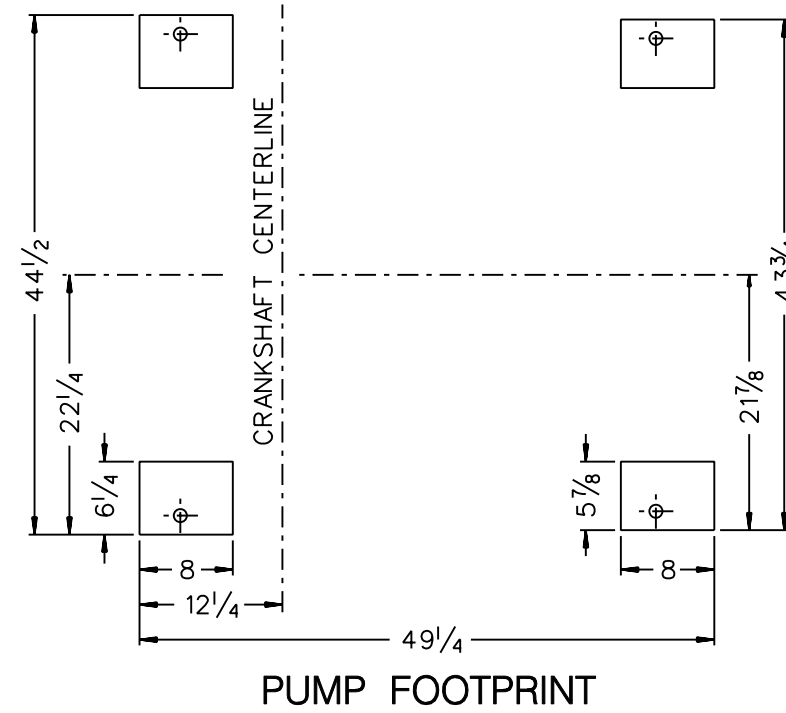
SIZE	REFERENCE No.	DRAWING No.	REV
B		1716379	
SCALE	EST WT	SHEET 1 OF 1	
1/2			

22



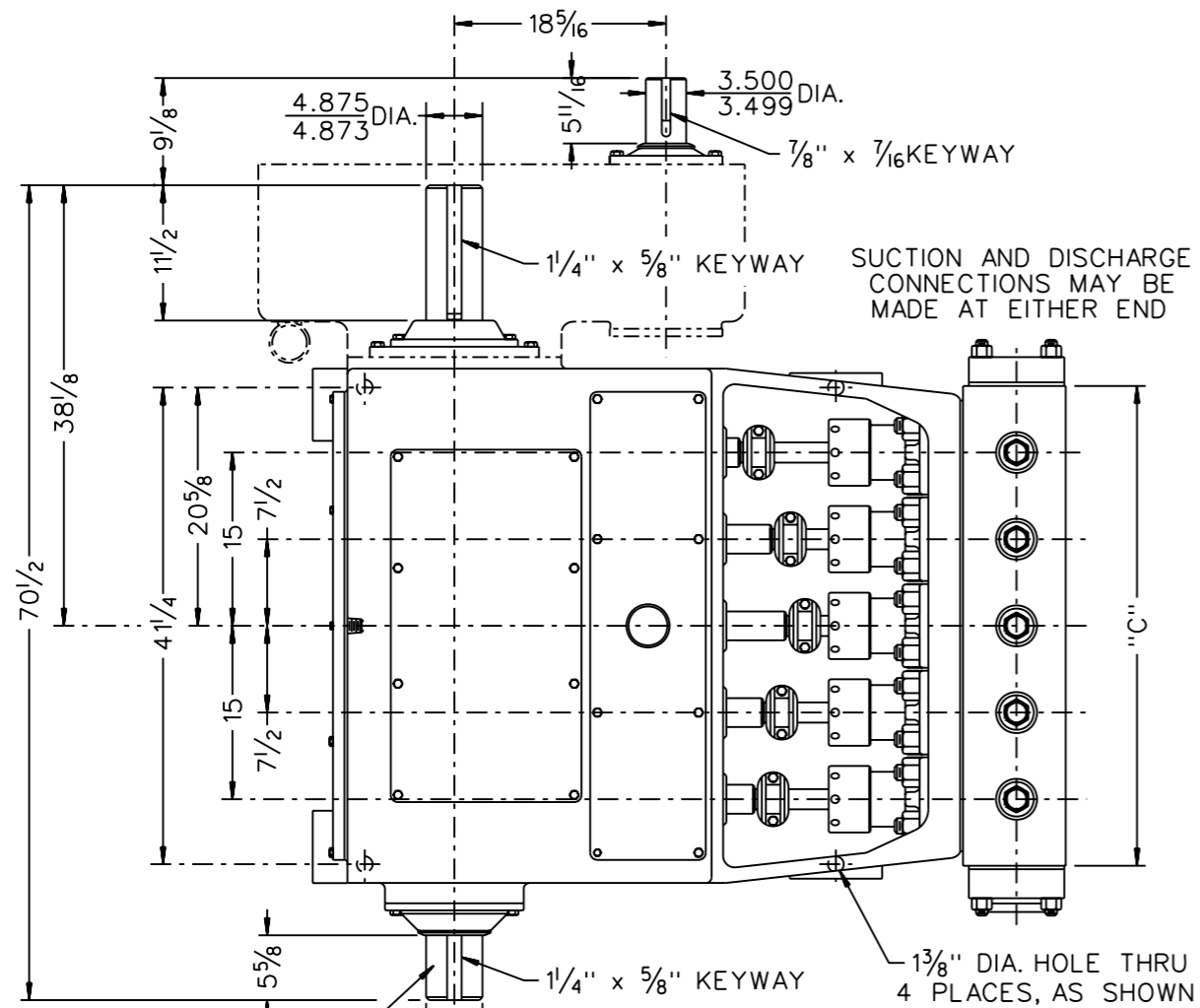
PUMP TYPE	DISCHARGE CONNECTION *	SUCTION CONNECTION *	DIMENSIONS IN INCHES						WEIGHT LBS.
			A	B	C	D	E	F	
300Q-5L	4" API-2000* R.J.	8" ANSI-150* F.F.	6 1/4	9 1/8	43 1/4	49	68	25 1/8	7,000
300Q-5M	3" NSD-5000* R.J.	6" NSD-600* R.J.	4 1/2	6 1/2	41 1/2	48 5/8	65	25 7/16	6,750
300Q-5H	2" ANSI-2500* R.J.	6" NSD-600* R.J.	4 1/2	6 1/2	41 1/2	48 5/8	65 1/8	25 5/8	6,840

* NSD FLANGES - SPECIAL FLANGE FURNISHED WITH MEDIUM & HIGH PRESSURE FLUID ENDS
 - R.J. BLIND FLANGE ONE END
 - R.J. WELD NECK FLANGE OTHER END

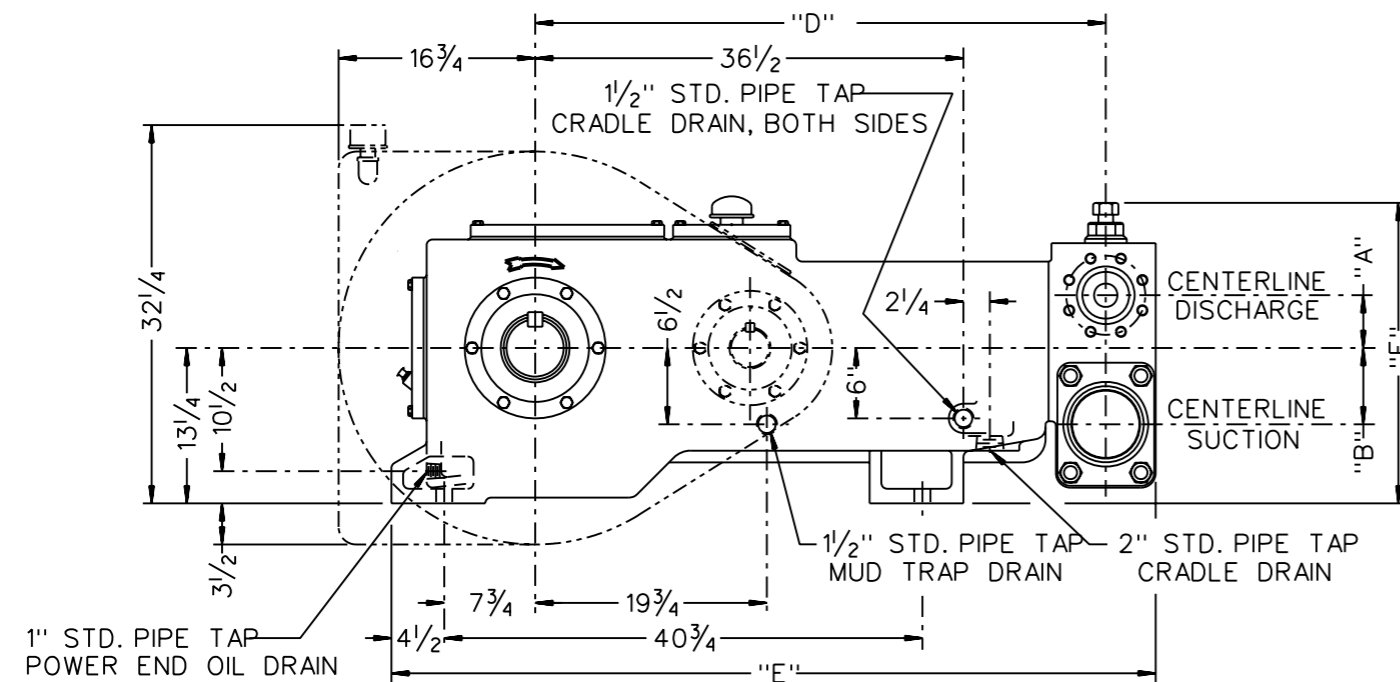


300Q-5H MODEL IS SHOWN

NOV NATIONAL OILWELL VARCO			
TITLE OUTLINE DRAWING 300Q-5 PLUNGER PUMP WITHOUT GEAR REDUCER			
SIZE B	REFERENCE No.	DRAWING No. 1716380	REV
SCALE 1/16	EST WT NOTED	SHEET 1 OF 1	

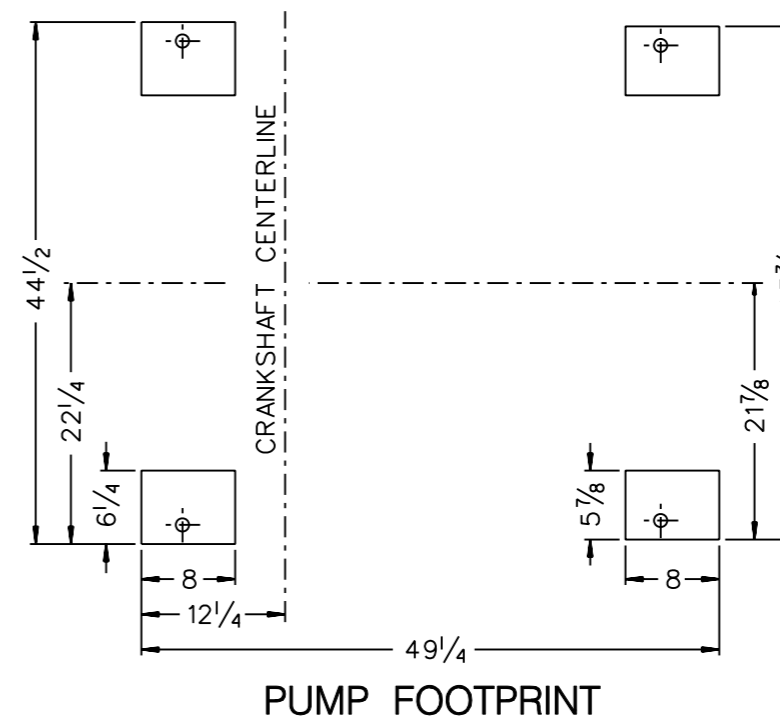


SHAFT EXTENSION FOR DIRECT DRIVE



PUMP TYPE	DISCHARGE CONNECTION *	SUCTION CONNECTION *	DIMENSIONS IN INCHES						WEIGHT LBS.
			A	B	C	D	E	F	
300Q-5L	4" API-2000* R.J.	8" ANSI-150* F.F.	6 $\frac{1}{4}$	9 $\frac{1}{8}$	43 $\frac{1}{4}$	49	68	25 $\frac{1}{8}$	8,100
300Q-5M	3" NSD-5000* R.J.	6" NSD-600* R.J.	4 $\frac{1}{2}$	6 $\frac{1}{2}$	41 $\frac{1}{2}$	48 $\frac{5}{8}$	65	25 $\frac{7}{16}$	7,850
300Q-5H	2" ANSI-2500* R.J.	6" NSD-600* R.J.	4 $\frac{1}{2}$	6 $\frac{1}{2}$	41 $\frac{1}{2}$	48 $\frac{5}{8}$	65 $\frac{1}{8}$	25 $\frac{5}{8}$	7,940

* NSD FLANGES - SPECIAL FLANGE FURNISHED WITH MEDIUM & HIGH PRESSURE FLUID ENDS
 - R.J. BLIND FLANGE ONE END
 - R.J. WELD NECK FLANGE OTHER END



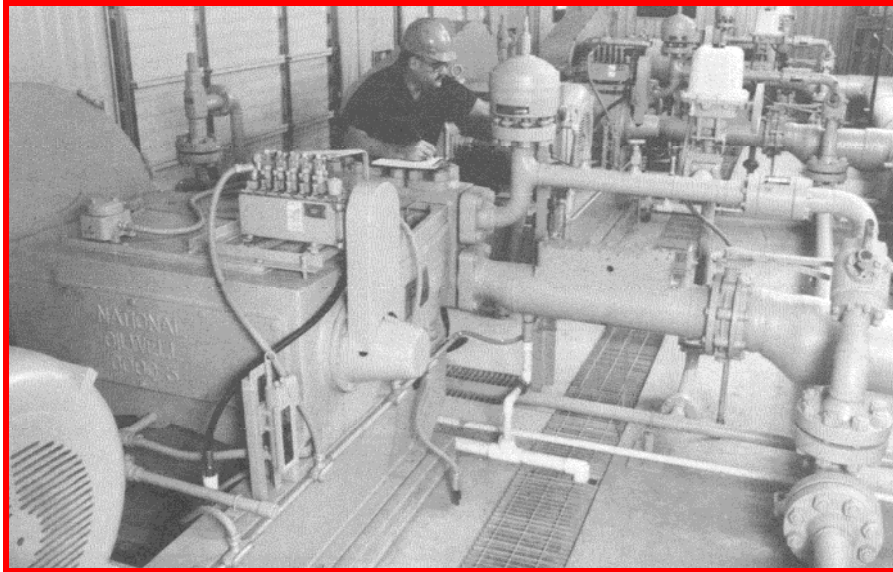
300Q-5H MODEL IS SHOWN

NOV NATIONAL OILWELL VARCO

TITLE: OUTLINE DRAWING
 300Q-5 PLUNGER PUMP
 WITH GEAR REDUCER

SIZE B	REFERENCE No.	DRAWING No. 1716381	REV
SCALE 1/16	EST WT NOTED	SHEET 1 OF 1	

NATIONAL OILWELL VARCO



With over 120 locations worldwide, National Oilwell Varco is located near you. To find the nearest Distribution Service Center, machinery center or repair facility, please give us a call at our main office listed below.

Or you can access our website at the URL listed below, where you may search by location or country.

<http://www.nov.com/contactus/>

Sales/Technical Information:
USA Tollfree: 1 (800) 324-4706

Internet: <http://www.nov.com>

National Oilwell Varco is a leading manufacturer of reciprocating plunger pumps, Mission Fluid King centrifugal pumps, and fluid end replacement parts. We also offer a complete set of solutions to your fluid transfer challenges. For more Information, contact National Oilwell Varco directly at the Headquarters in Houston, Texas. All National Oilwell Varco products are available throughout the U.S. and around the world from service centers, authorized distributors, and representatives.

© Copyright 1999 by National Oilwell, L.P. All Rights Reserved. NATIONAL OILWELL, NATIONAL, and OILWELL are registered trademarks of NATIONAL OILWELL, L.P. Houston, Texas, USA. All other trademarks used are registered to their respective companies. The information and data in this brochure, including but not limited to pictures, photographs, charts, diagrams, drawings, lists, written comments, and specifications, are accurate to the best of our knowledge and belief, but are intended for general information only. Applications suggested for the materials and other information are described only to help readers make their own evaluations and decisions, and are neither guarantees nor are they to be construed as express or implied warranties of suitability for these or other applications. National Oilwell makes no warranty, either express or implied, beyond that stipulated in National Oilwell's Standard Terms and Conditions of Sale which are available upon request.