

Chemsafe Piping Systems - Single Contained

Table Nominal Design Sizes & Pressure Ratings

Size O.D.	Size N.B.	Primary SDR
40	32	SDR17.6 - 7.5 Bar
50	40	SDR17.6 - 7.5 Bar
63	50	SDR17.6 - 7.5 Bar
90	75	SDR17.6 - 7.5 Bar
110	100	SDR17.6 - 7.5 Bar
160	150	SDR17.6 - 7.5 Bar
225	200	SDR17.6 - 7.5 Bar
250	225	SDR17.6 - 7.5 Bar
315	280	SDR17.6 - 7.5 Bar
355	315	SDR17.6 - 7.5 Bar
400	350	SDR17.6 - 7.5 Bar
450	400	SDR17.6 - 7.5 Bar

Fiber Glass Systems Pipe & Fitting dimensions are indicated as O.D.
For nominal bore (N.B.) Refer to table 1

Other sizes are available upon request, contact us for further information.

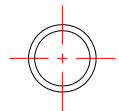
Available material:

- PP-H
- PE
- GRE
- PVDF



Standard Polypropylene (PP-H) Pipe Length - 5m

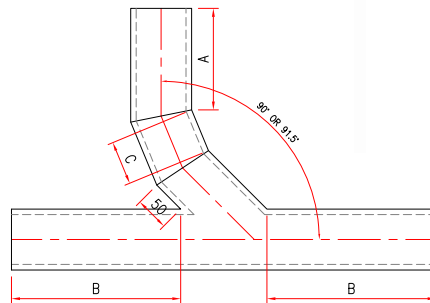
Standard Polyethylene (PE100) Pipe Length - 6m



Other lengths and sizes available upon request.

Dual Contained Long 90° or 91.5° Swept Branch

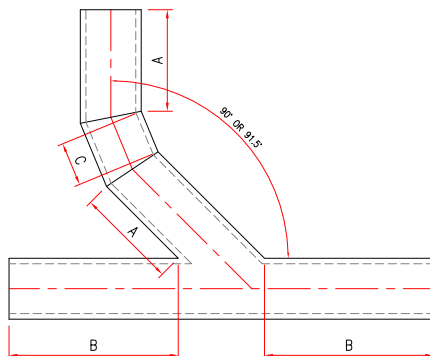
Size O.D.	A	B	C
50 - 140	150	250	65
160 - 355	250	250	65
400 - 630	500	500	150
710 - 1000	750	750	150



Other angles available upon request.
This fitting for above ground installations only.

Single Contained Long 90° or 91.5° Swept Branch

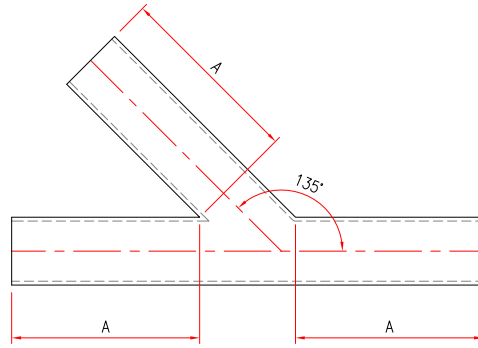
Size O.D.	A	B	C
50 - 110	150	250	65
125 - 355	250	250	65
400 - 630	500	500	150
710 - 1000	750	750	150



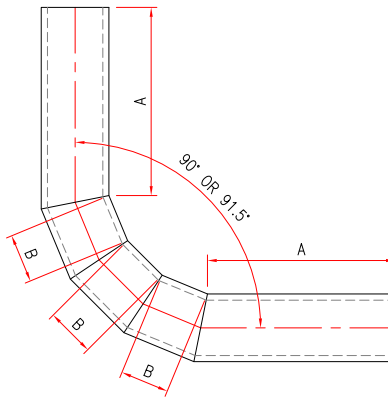
Other angles available upon request.

Chemsafe Piping Systems - Single Contained

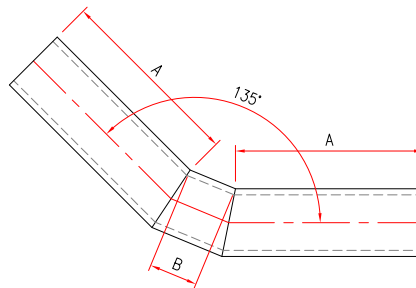
Single Contained Lateral 135° Branch	
Size O.D.	A
50 - 355	250
400 - 630	500
710 - 1000	750



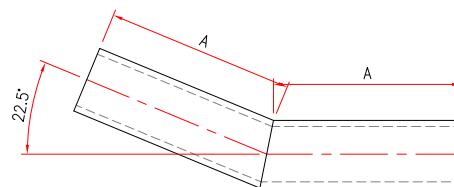
Single Contained Swept Bend 90° or 91.5°		
Size O.D.	A	B
50 - 355	250	65
400 - 1000	500	150



Single Contained Swept Bend 135°		
Size O.D.	A	B
50 - 400	250	65
450 - 1000	500	150



Single Contained Swept Bend 22.5°	
Size O.D.	A
50 - 400	250
450 - 1000	500



Note any angle of bend available.
Contact Fiber Glass Systems for
further information.

Chemsafe Piping Systems - Single Contained

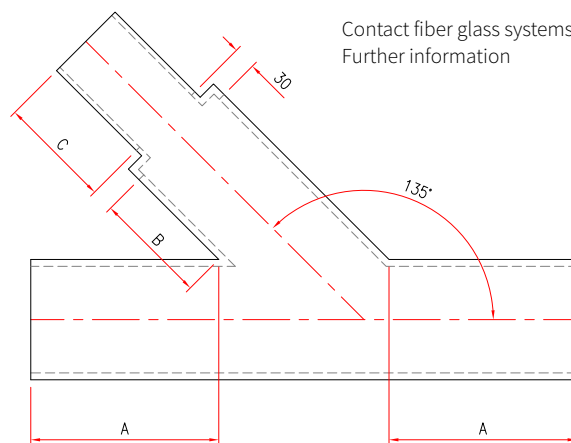
Single Contained Lateral 135° Swept Reducing Branch					
Size O.D.	Reducer Size	A	B	C	D
110	63	250	150	65	150
110	90	250	150	65	150
125	63	250	150	65	150
125	90	250	150	65	150
125	110	250	150	65	150
160	63	250	150	65	150
160	90	250	150	65	150
160	110	250	150	65	150
160	125	250	150	65	150
225	90	250	150	65	150
225	110	250	150	65	150
225	125	250	150	65	150
225	160	250	150	65	250
250	110	250	150	65	150
250	125	250	150	65	150
250	160	250	150	65	250
250	225	250	150	65	250
315	110	250	150	65	150
315	125	250	150	65	150
315	160	250	150	65	250
315	225	250	150	65	250
315	250	250	150	65	250
400	110	500	250	65	150
400	125	500	250	65	150
400	160	500	250	65	250
400	225	500	250	65	250
400	250	500	250	65	250
400	315	500	250	65	250
450	110	500	250	65	150
450	125	500	250	65	150
450	160	500	250	65	250
450	225	500	250	65	250
450	250	500	250	65	250
450	315	500	250	65	250
450	355	500	250	65	250
450	400	500	250	150	500
500	160	500	250	65	250
500	225	500	250	65	250
500	250	500	250	65	250
500	315	500	250	65	250
500	355	500	250	65	250
500	400	500	250	150	500
500	450	500	250	150	500
500	500	500	250	150	500
630	225	500	250	65	250
630	250	500	250	65	250
630	315	500	250	65	250
630	355	500	250	65	250
630	400	500	250	150	500
630	450	500	250	150	500
630	500	500	250	150	500

Single Contained Lateral 135° Swept Reducing Branch					
Size O.D.	Reducer Size	A	B	C	D
710	250	750	500	65	250
710	315	750	500	65	250
710	355	750	500	65	250
710	400	750	500	150	500
710	450	750	500	150	500
710	500	750	500	150	500
710	560	750	500	150	250
800	315	750	500	65	250
800	355	750	500	65	500
800	400	750	500	150	500
800	450	750	500	150	500
800	500	750	500	150	500
800	560	750	500	150	500
800	630	750	500	150	750
800	710	750	500	150	500
1000	400	750	500	150	500
1000	450	750	500	150	500
1000	500	750	500	150	500
1000	560	750	500	150	500
1000	630	750	500	150	500
1000	710	750	500	150	750
1000	800	750	500	150	750



Reducing lateral branches can be manufactured to suit end user requirements.

Contact fiber glass systems for further information



Chemsafe Piping Systems - Single Contained

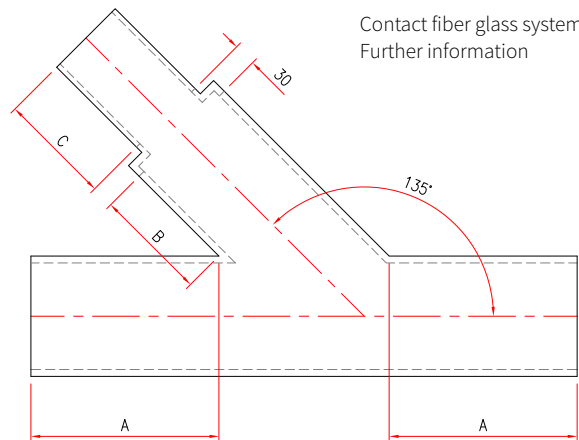
Single Contained Lateral 135° Reducing Branch				
Size O.D.	Reducer Size	A	B	C
110	63	250	150	150
110	90	250	150	150
125	63	250	150	150
125	90	250	150	150
125	110	250	150	150
160	63	250	150	150
160	90	250	150	150
160	110	250	150	150
160	125	250	150	150
225	90	250	150	150
225	110	250	150	150
225	125	250	150	150
225	160	250	150	250
250	110	250	150	150
250	125	250	150	150
250	160	250	150	250
250	225	250	150	250
315	110	250	150	150
315	125	250	150	150
315	160	250	150	250
315	225	250	150	250
315	250	250	150	250
400	110	500	250	150
400	125	500	250	150
400	160	500	250	250
400	225	500	250	250
400	250	500	250	250
400	315	500	250	250
450	110	500	250	150
450	125	500	250	150
450	160	500	250	250
450	225	500	250	250
450	250	500	250	250
450	315	500	250	250
450	355	500	250	250
450	400	500	250	500
500	160	500	250	250
500	225	500	250	250
500	250	500	250	250
500	315	500	250	250
500	355	500	250	250
500	400	500	250	500
560	225	500	250	250
560	250	500	250	250
560	315	500	250	250
560	355	500	250	250
560	400	500	250	500
560	450	500	250	500
560	500	500	250	500
630	225	500	250	250
630	250	500	250	250
630	315	500	250	250
630	355	500	250	250
630	400	500	250	500
630	450	500	250	500
630	500	500	250	500

Single Contained Lateral 135° Reducing Branch				
Size O.D.	Reducer Size	A	B	C
710	250	750	500	250
710	315	750	500	250
710	355	750	500	250
710	400	750	500	500
710	450	750	500	500
710	500	750	500	500
710	560	750	500	500
800	315	750	500	250
800	355	750	500	250
800	400	750	500	500
800	450	750	500	500
800	500	750	500	500
800	560	750	500	500
800	630	750	500	500
800	710	750	500	750
1000	400	750	500	500
1000	450	750	500	500
1000	500	750	500	500
1000	560	750	500	500
1000	630	750	500	500
1000	710	750	500	750
1000	800	750	500	750



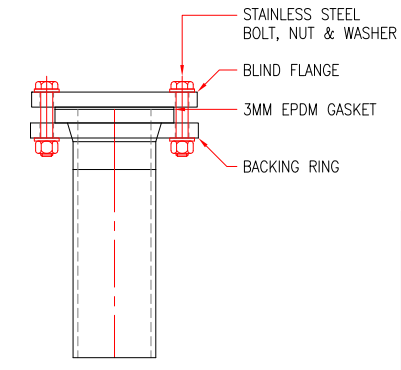
Reducing lateral branches can be manufactured to suit end user requirements.

Contact fiber glass systems for further information

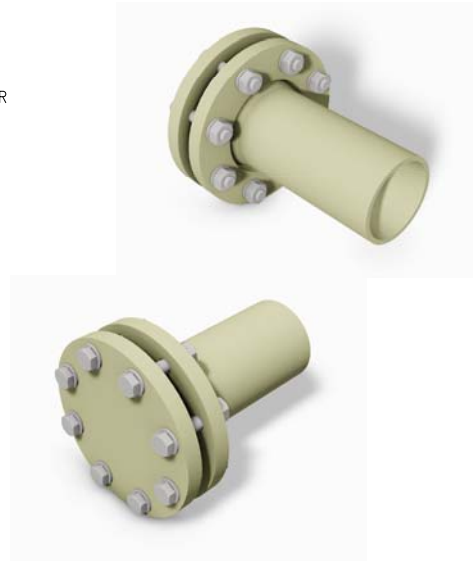


Chemsafe Piping Systems - Single Contained

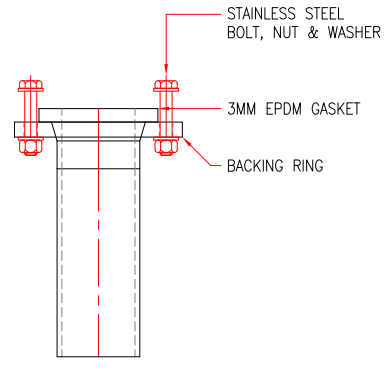
Flanged Access	
Size O.D.	
110	
160	
225	
250	
315	
400	
450	
500	
560	
630	
710	
800	
900	
1000	



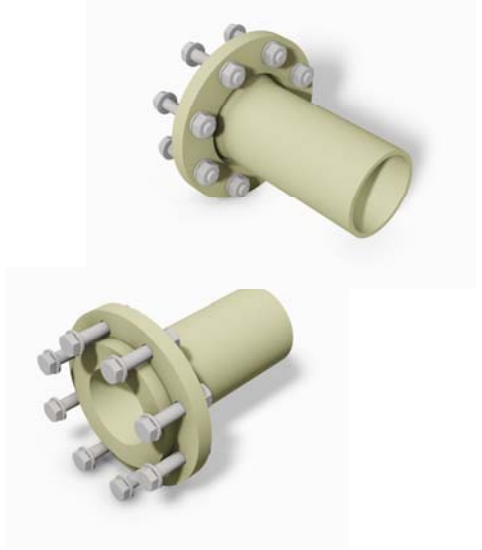
Bolted Flange access above ground installation



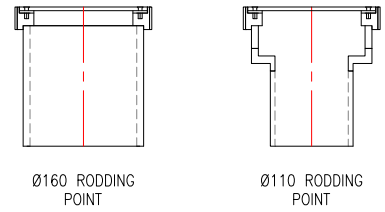
Flanged Connection	
Size O.D.	
110	
160	
225	
250	
315	
400	
450	
500	
560	
630	
710	
800	
900	
1000	



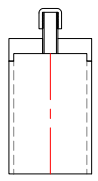
Installed to connect to existing flanged Pipework Systems



Rodding Eye	
Size O.D.	
110	
160	

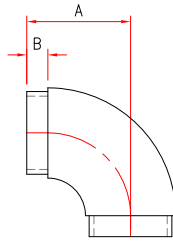


End of Containment	
Size O.D.	
110	
160	



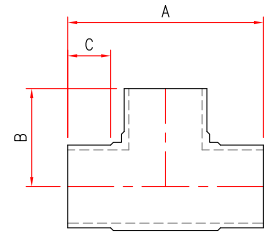
Chemsafe Piping Systems - Single Contained

90° Bend (Short Spigots)		
Size O.D.	A	B
20	38	18
25	43	18
32	54	22
40	62	22
50	72	22
63	86	22
75	98	22
90	115	25
110	138	28
125	157	32
140	175	35
160	200	40
180	184	15
200	206	19
225	237	21
250	256	20
280	290	24
315	324	22
355	385	38
400	438	41
450	510	60
500	560	60

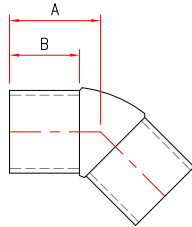


90° Elbow with Butt Fusion Spigots

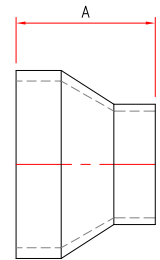
Equal Tee (Short Spigots)			
Size O.D.	A	B	C
20	79	38	11
25	84	42	11
32	88	44	11
40	92	46	11
50	100	50	12
63	134	67	17
75	150	75	19
90	206	103	42
110	260	130	57
125	250	125	50
140	320	160	63
180	434	217	97
200	440	220	94
250	448	224	69
280	532	266	88
315	566	283	86
355	690	345	103
400	734	367	105
450	838	419	138
500	954	477	165



Elbow (Long Spigots)		
Size O.D.	A	B
20	72	52
25	76	57
32	90	71
40	95	73
50	76	62
63	88	66
75	90	71
90	105	83
110	121	93
125	137	98
140	168	120
160	190	143
180	196	141
200	207	152
225	210	153
250	220	133
280	227	142
315	250	155



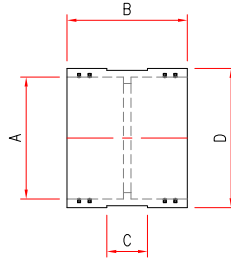
Concentric Reducer (Short Spigots)	
Size O.D.	A
160/110	129
225/160	162
250/160	170
250/225	185
315/225	238
315/250	233
355/225	140
355/250	130
355/315	110
400/225	160
400/250	150
400/315	120
400/355	110
450/315	140
450/355	130
500/315	170
500/355	150
500/400	140



Chemsafe Piping Systems - Single Contained

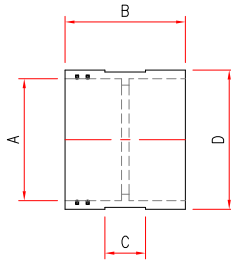
Double O Ring Socket with Stop

Size O.D.	A	B	C	D
63	63	90	32	75
75	76	110	32	89
90	91	160	42	108
110	111	160	42	138
160	162	160	54	185
225	227	200	54	248



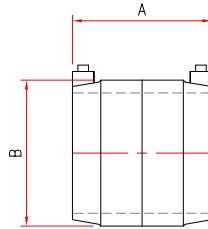
Fusion O Ring Socket with Stop

Size O.D.	A	B	C	D
63	63	90	32	75
75	76	110	32	89
90	91	160	42	108
110	111	160	42	138
160	162	160	54	185
225	227	200	54	248



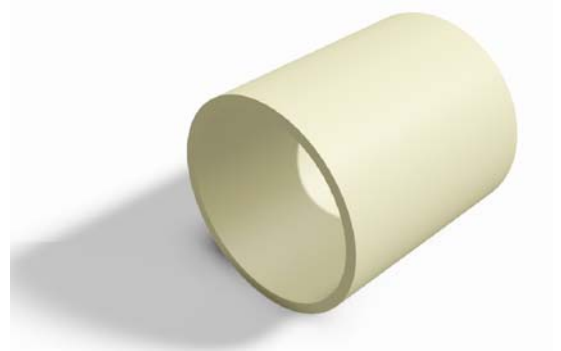
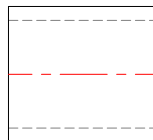
Electro Fusion Socket

Size O.D.	A	B
63	117	80
75	128	95
90	144	112
110	159	136
160	185	194
225	210	273



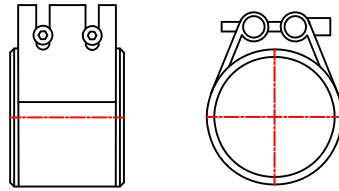
Hand Welded Slip Socket (Size OD)

A
110
160
200
225
250
315
400
450
500
560
630
710
800
900
1000



Chemsafe Piping Systems - Single Contained

Mechanical Joint (Size O.D.)
Size O.D.
160
200
225
250
315
400
450
500
560
630
710
800



Chemical Drainage Piping Single Contained Pipe Jointing Methods

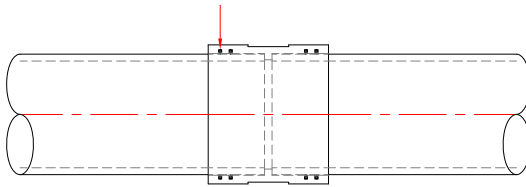


Fig 1 - Double O Ring with Stop Connection

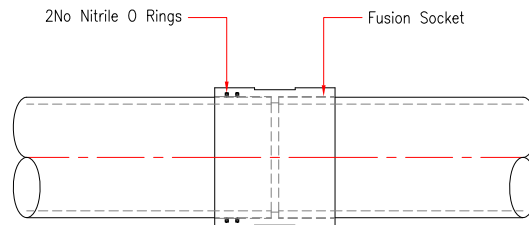


Fig 2 - Fusion / O Ring Socket with Stop Connection

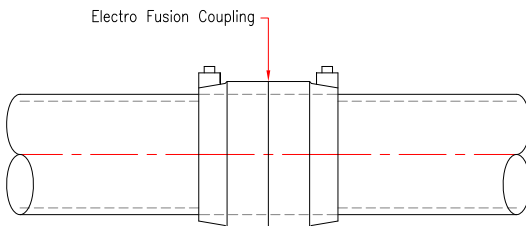


Fig 3 - Double O Ring with Stop Connection

Chemical Drainage Piping Single Contained Pipe Jointing Methods

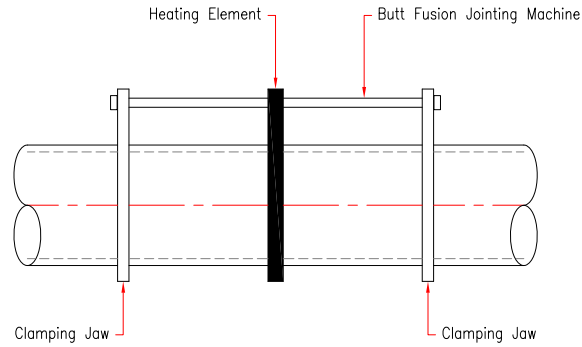


Fig 4 - Butt Fusion Connection

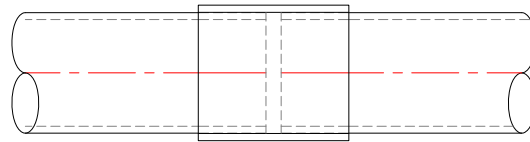


Fig 5 - Hand Welded Slip Socket Connection

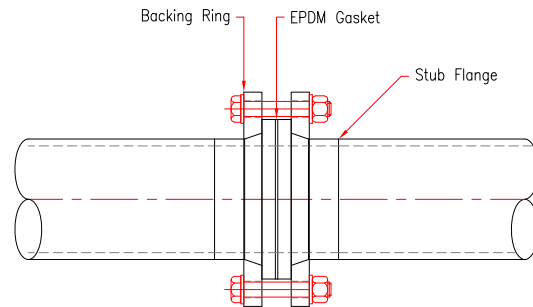


Fig 6 - Flanged Assembly Connection

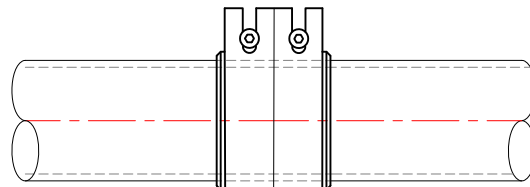


Fig 7 - Mechanical Coupling Connection