



NATIONAL OILWELL VARCO

BD-120

BD-130

BD-150

BD-165

**BEAR™ Reciprocating
Plunger Pump
Parts List**

Material Options for Fluid End Parts:
 The suffix of the part number determines the material.

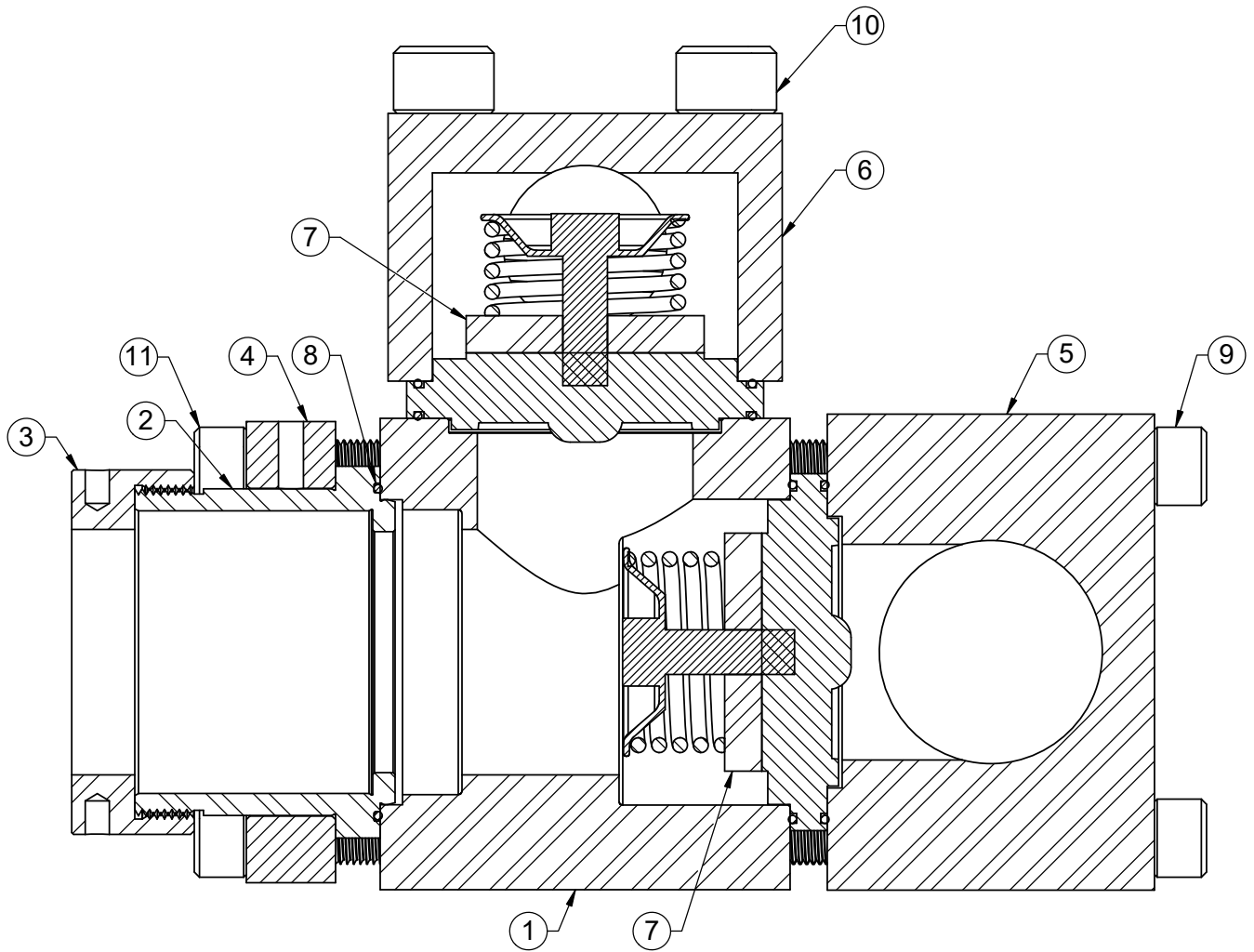
Part Number Suffix:

- None= Carbon Steel
- S= Stainless Steel
- D1= Super Duplex Stainless Steel
- B7= Bronze
- P= Peek

	Material Options			
	Carbon Steel	Stainless Steel	Super Duplex Stainless Steel	Bronze
Forged Fluid End	X	X		
Casted Fluid End	X		X	
Stuffing Box	X	X	X	
Gland Nut	X	X	X	X
Stuffing Box Flange	X	X	X	
Valve Covers	X	X	X	
Suction Stop	X	X	X	
Discharge Stop	X	X	X	
Suction Manifold	X	X	X	
Discharge Manifold	X	X	X	

Example:

B123A456789 is a made-up part number. B123A456789S would be the stainless steel version of that part.

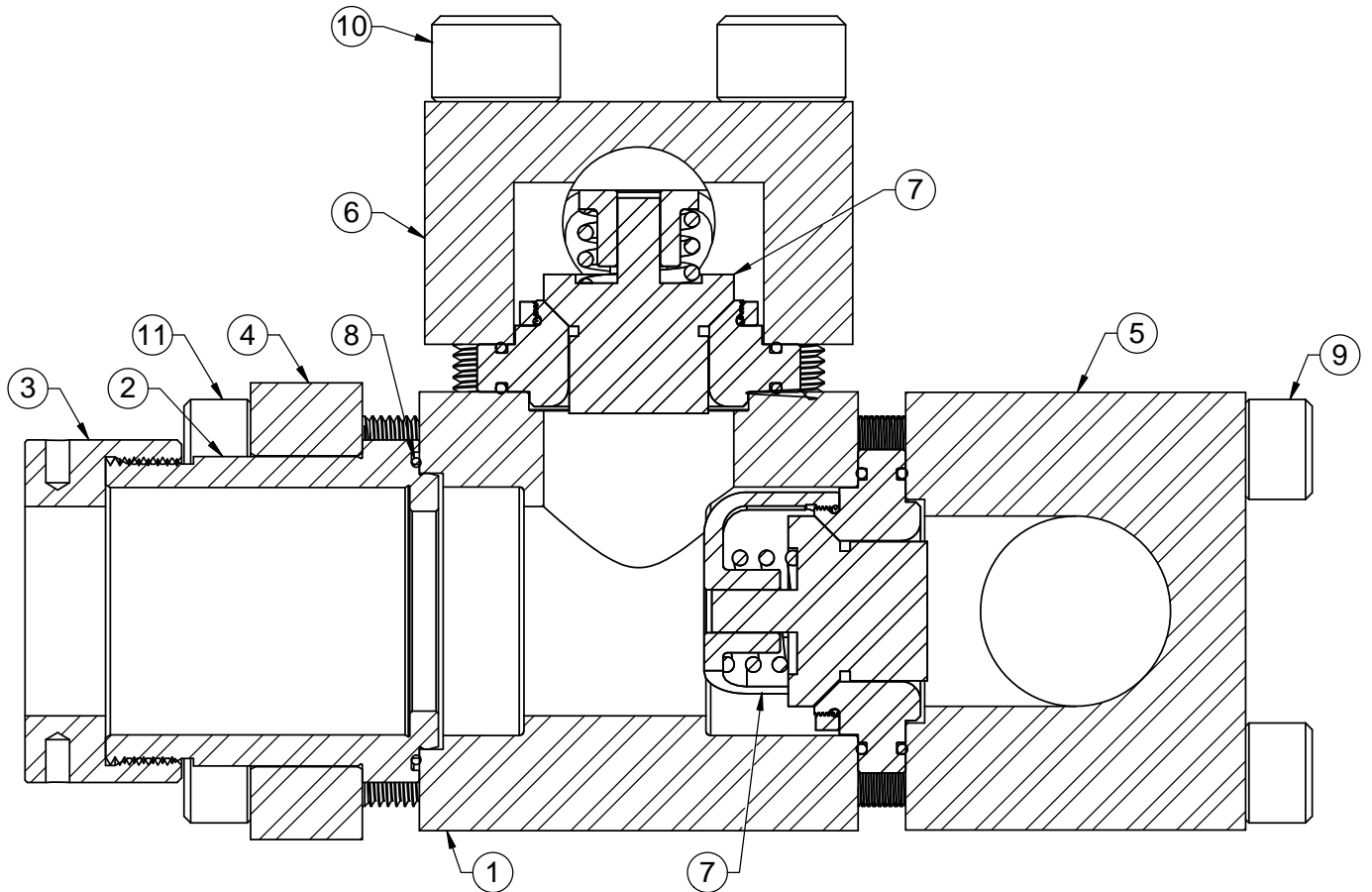


FIND #	DESCRIPTION	PART NUMBER	REQ'D
1	STUDDED FLUID END	B301E0630700	1
2	STUFFING BOX 4.000-3.750 (NONE LUBE/LUBE)	B337C0820170/B337C0820171	3
	STUFFING BOX 3.625-3.250 (NONE LUBE/LUBE)	B337C0820160/B337C0820161	
	STUFFING BOX 3.125-2.750 (NONE LUBE/LUBE)	B337C0820150/B337C0820151	
3	GLAND NUT 4.000-3.750	B338C0911603	3
	GLAND NUT 3.625-3.250	B338C0911602	
	GLAND NUT 3.125-2.750	B338C0911601	
4	STUFFING BOX FLANGE	B366C0821200	3
5	SUCTION MANIFOLD (NPT/SOCKET)	B359C1204000/B359C1204001	1
6	DISCHARGE MANIFOLD (NPT/SOCKET)	B360C1203000/B360C1203001	1
7	VALVE ASSEMBLY	B320C10316D0	6
8	STUFFING BOX O-RING (BUNA/VITON)	110-000253-200/110-000253-599	3
9	SUCTION MANIFOLD CAP SCREW	105-078712-290	REF (12)
10	DISCHARGE MANIFOLD CAP SCREW	105-118612-290	REF (8)
11	STUFFING BOX FLANGE CAP SCREW	106-078400-290	REF (12)
12	CYLINDER TIE STUD	B824A0155319	REF (2)
13	STUFFING BOX FLANGE NUT	75511750	REF (2)

NOTES:

- ITEM 12 AND 13 NOT SHOWN
- THESE ARE THE CARBON STEEL OPTION PART NUMBERS ONLY. STAINLESS STEEL, DUPLEX STAINLESS STEEL AND BRONZE ARE AVAILABLE ON SOME PARTS.
- FOR PACKING OPTIONS CONTACT NOV
- GLAND NUT FOR LUBRICATED STUFFING BOX ONLY

NOV NATIONAL OILWELL VARGO	
<small>HOUSTON, TEXAS, U.S.A.</small>	<small>ENGINEERING, TULSA, OKLAHOMA</small>
TITLE: PARTS LIST BD-120/130/150/165L FLUID END	
DWG No: BPL120LFE	REV: A SH: 1 OF 1

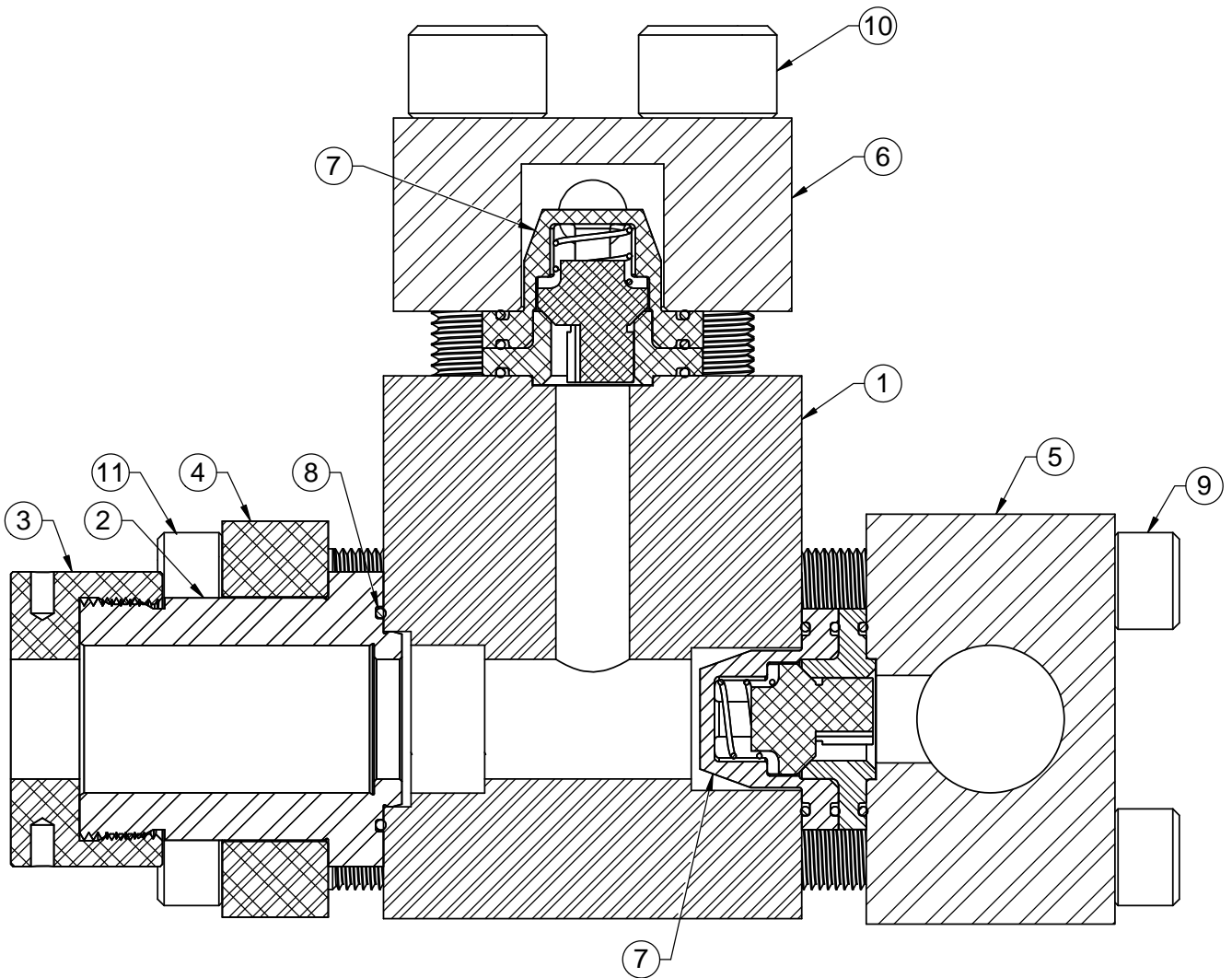


FIND #	DESCRIPTION	PART NUMBER	REQ'D
1	STUDED FLUID END	B301E0630600	1
2	STUFFING BOX 2.250-2.625 (NONE LUBE/LUBE)	B337C0820140/B337C0820141	3
	STUFFING BOX 1.875-2.125 (NONE LUBE/LUBE)	B337C0820130/B337C0820131	
	STUFFING BOX 1.625-1.750 (NONE LUBE/LUBE)	B337C0820120/B337C0820121	
3	GLAND NUT 2.250-2.625	B338C0911503	3
	GLAND NUT 1.875-2.125	B338C0911502	
	GLAND NUT 1.625-1.750	B338C0911501	
4	STUFFING BOX FLANGE	B366C0821100	3
5	SUCTION MANIFOLD (NPT/SOCKET)	B359D0680200/B359D0680201	1
6	DISCHARGE MANIFOLD (NPT/SOCKET)	B360D0680300/B360D0680302	1
7	VALVE ASSEMBLY	B102S17420	6
8	STUFFING BOX O-RING (BUNA/VITON)	110-000241-200/110-000241-599	3
9	SUCTION MANIFOLD CAP SCREW	106-078400-290	REF (12)
10	DISCHARGE MANIFOLD CAP SCREW	105-118512-290	REF (8)
11	STUFFING BOX FLANGE CAP SCREW	106-078612-290	REF (12)
12	CYLINDER TIE STUD	B824A0155319	REF (2)
13	STUFFING BOX FLANGE NUT	75511750	REF (2)

NOTES:

1. ITEM 12 AND 13 NOT SHOWN
2. THESE ARE THE CARBON STEEL OPTION PART NUMBERS ONLY. STAINLESS STEEL, DUPLEX STAINLESS STEEL AND BRONZE ARE AVAILABLE ON SOME PARTS.
3. FOR PACKING OPTIONS CONTACT NOV
4. GLAND NUT FOR LUBRICATED STUFFING BOX ONLY

NOV NATIONAL OILWELL VARCO	
<small>HOUSTON, TEXAS, U.S.A. ENGINEERING, TULSA, OKLAHOMA</small>	
TITLE: PARTS LIST BD-120/130/150/165M FLUID END	
DWG No: BPL120MFE	REV: A SH: 1 OF 1

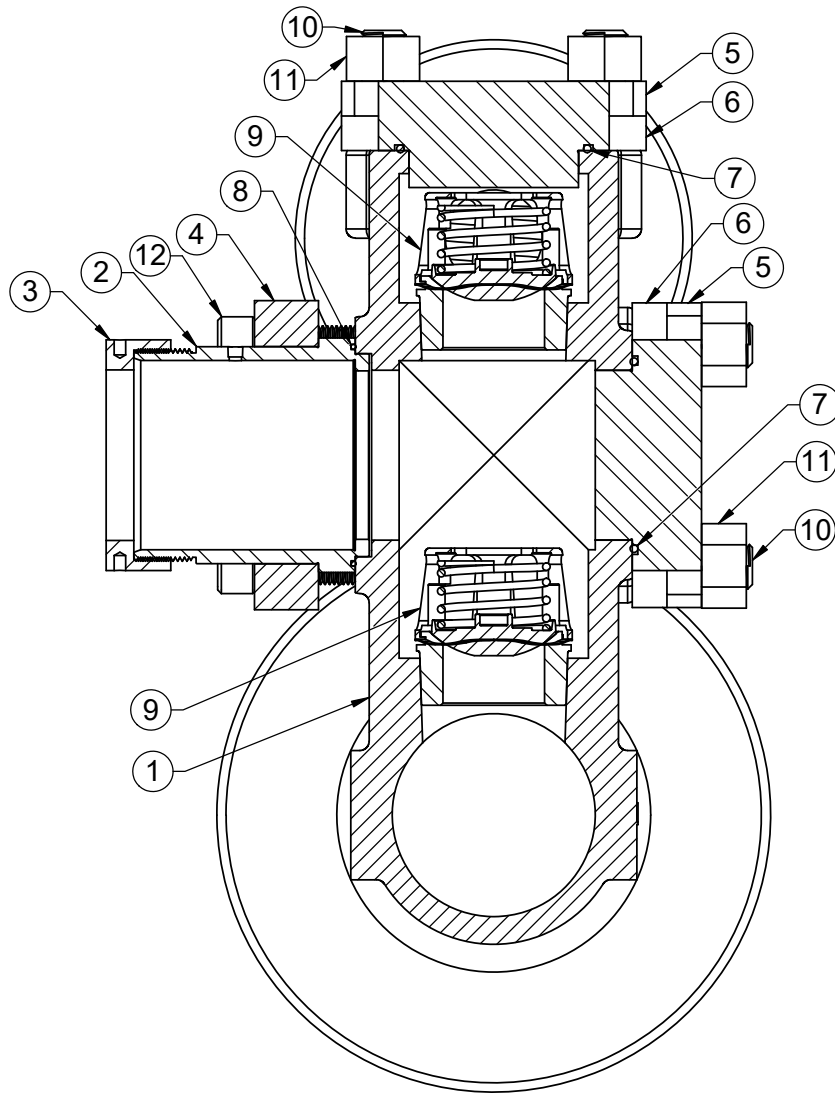


FIND #	DESCRIPTION	PART NUMBER	REQ'D
1	STUDED FLUID END	B301E0646400	1
2	STUFFING BOX 1.500-1.250 (NONE LUBE/LUBE)	B337C0820110/B337C0820111	3
	STUFFING BOX 1.125-1.000 (NONE LUBE/LUBE)	B337C0820100/B337C0820111	
3	GLAND NUT 1.500-1.250	B338C0911402	3
	GLAND NUT 1.125-1.000	B338C0911401	
4	STUFFING BOX FLANGE	B366C0821000	3
5	SUCTION MANIFOLD (NPT/SOCKET)	B359B0680000/B359B0680001	1
6	DISCHARGE MANIFOLD (NPT/SOCKET)	B360D0680100/B360D0680101	1
7	VALVE ASSEMBLY	B008153	6
8	STUFFING BOX O-RING (BUNA/VITON)	110-000232-200/110-000232-599	3
9	SUCTION MANIFOLD CAP SCREW	106-078512-290	REF (12)
10	DISCHARGE MANIFOLD CAP SCREW	105-114500-290	REF (8)
11	STUFFING BOX FLANGE CAP SCREW	106-078400-290	REF (12)
12	CYLINDER TIE STUD	B824A0155319	REF (2)
13	STUFFING BOX FLANGE NUT	75511750	REF (2)

NOTES:

- ITEM 12 AND 13 NOT SHOWN
- THESE ARE THE CARBON STEEL OPTION PART NUMBERS ONLY. STAINLESS STEEL, DUPLEX STAINLESS STEEL AND BRONZE ARE AVAILABLE ON SOME PARTS.
- FOR PACKING OPTIONS CONTACT NOV

NOV NATIONAL OILWELL VARGO	
<small>HOUSTON, TEXAS, U.S.A.</small>	<small>ENGINEERING, TULSA, OKLAHOMA</small>
TITLE: PARTS LIST BD-120/130/150/165H FLUID END	
DWG No: BPL120HFE	REV: A SH: 1 OF 1

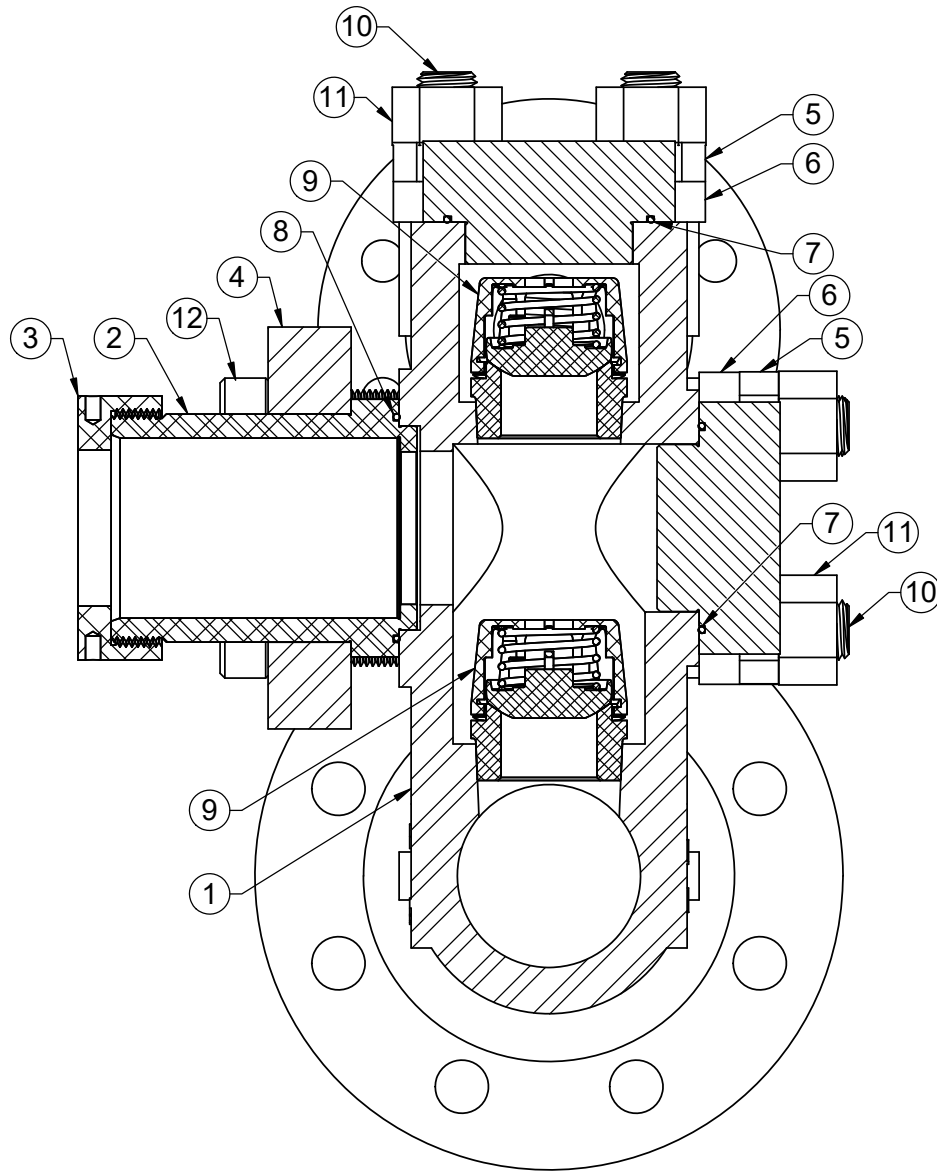


FIND #	DESCRIPTION	PART NUMBER	REQ'D
1	STUDDED FLUID END	B301B12244**	1
2	STUFFING BOX 4.50-4.25 (NONE LUBE/LUBE)	B337A1224430/B337A1224431	3
	STUFFING BOX 4.125-3.75 (NONE LUBE/LUBE)	B337A1224130/B337A1224131	
	STUFFING BOX 3.625-3.25 (NONE LUBE/LUBE)	B337A1223530/B337A1223531	
3	GLAND NUT 4.50-4.25	B338A1224440	3
	GLAND NUT 4.125-3.75	B338A1224140	
	GLAND NUT 3.625-3.25	B338A1223540	
4	STUFFING BOX FLANGE	B366A1224420	1
5	VALVE COVER, CENTER	B317A1224450	2
6	VALVE COVER, OUTER	B317A1224440	4
7	VALVE COVER O-RING (BUNA/FEPM)	110-000352-200/110-000352-519	6
8	STUFFING BOX O-RING (BUNA/FEPM)	110-000256-200/110-000256-519	3
9	VALVE ASSEMBLY(SPHERICAL/SEVERE DUTY)	179403025W/179403025SD	6
10	VALVE COVER STUD	B824A0155420	REF (16)
11	VALVE COVER NUT	133-114007-286	REF (16)
12	STUFFING BOX FLANGE CAP SCREW	105-100400-290	REF (8)

NOTES:

1. THESE ARE THE CARBON STEEL OPTION PART NUMBERS ONLY. STAINLESS STEEL, DUPLEX STAINLESS STEEL AND BRONZE ARE AVAILABLE ON SOME PARTS.
2. FOR PACKING OPTIONS CONTACT NOV
3. ** IS A REFERENCE PAGE AT END OF FLUID END SECTION OF FLUID END FLANGE OPTIONS.

NOV NATIONAL OILWELL VARCO	
<small>HOUSTON, TEXAS, U.S.A.</small>	<small>ENGINEERING, TULSA, OKLAHOMA</small>
TITLE PARTS LIST BD-120/130/150/165LCF FLUID END	
<small>DWG. No.</small> BPL120LCFFE	<small>REV</small> A <small>DWG. DATE</small> 1 OF 1



FIND #	DESCRIPTION	PART NUMBER	REQ'D
1	STUDDED FLUID END	B301B12231**	1
2	STUFFING BOX 3.125-2.75 (NONE LUBE/LUBE)	B337A1223130/B337A1223131	3
	STUFFING BOX 2.625-2.25 (NONE LUBE/LUBE)	B337A1222530/B337A1222531	
3	GLAND NUT 3.125-2.75	B338A1223140	3
	GLAND NUT 2.625-2.25	B338A1222540	
4	STUFFING BOX FLANGE	B366A1223120	1
5	VALVE COVER, CENTER	B317A1223130	2
6	VALVE COVER, OUTER	B317A1223120	4
7	VALVE COVER O-RING (BUNA/FEPM)	110-000243-200/110-000243-518	6
8	STUFFING BOX O-RING (BUNA/FEPM)	110-000246-200/110-000246-518	3
9	VALVE ASSEMBLY(SPHERICAL/SEVERE DUTY)	179302025W/179302025SD	6
10	VALVE COVER STUD	B824A0155418	REF (16)
11	VALVE COVER NUT	133-114007-286	REF (16)
12	STUFFING BOX FLANGE CAP SCREW	105-100400-290	REF (8)

NOTES:

1. THESE ARE THE CARBON STEEL OPTION PART NUMBERS ONLY. STAINLESS STEEL, DUPLEX STAINLESS STEEL AND BRONZE ARE AVAILABLE ON SOME PARTS.
2. FOR PACKING OPTIONS CONTACT NOV
3. ** IS A REFERENCE PAGE AT END OF FLUID END SECTION OF FLUID END FLANGE OPTIONS.

NOV NATIONAL OILWELL VARGO	
<small>HOUSTON, TEXAS, U.S.A. ENGINEERING, TULSA, OKLAHOMA</small>	
TITLE: PARTS LIST BD-120/130/150/165MCF FLUID END	
DWG No: BPL120MCFE	REV: A SHEET: 1 OF 1

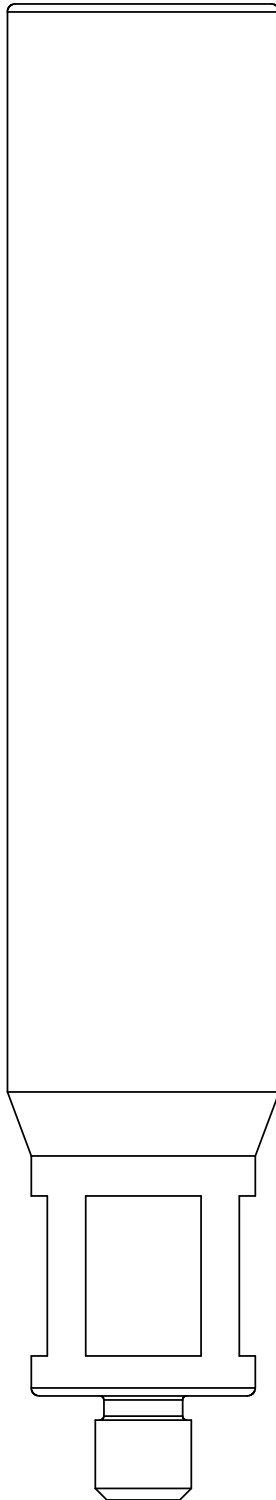
STUDDED FLUID END BD-120/130/150/165LCF PART NUMBERS					
ANSI RAISED FACE			ANSI RING TYPE JOINT		
PART #	3" DISCHARGE	6" SUCTION	PART #	3" DISCHARGE	6" SUCTION
B301B1224400	900#	900#	B301B1224409	900#	900#
B301B1224401	900#	600#	B301B1224410	900#	600#
B301B1224402	900#	300#	B301B1224411	900#	300#
B301B1224403	900#	150#	B301B1224412	900#	150#
B301B1224404	600#	600#	B301B1224413	600#	600#
B301B1224405	600#	300#	B301B1224414	600#	300#
B301B1224406	600#	150#	B301B1224415	600#	150#
B301B1224407	300#	300#	B301B1224416	300#	300#
B301B1224408	300#	150#	B301B1224417	300#	150#

STUDDED FLUID END BD-120/130/150/165MCF PART NUMBERS					
ANSI RAISED FACE			ANSI RING TYPE JOINT		
PART #	2-1/2" DISCHARGE	4" SUCTION	PART #	2-1/2" DISCHARGE	4" SUCTION
B301B1223101	900/1500#	1500#	B301B1223111	900/1500#	1500#
B301B1223102	900/1500#	900#	B301B1223112	900/1500#	900#
B301B1223103	900/1500#	600#	B301B1223113	900/1500#	600#
B301B1223104	900/1500#	300#	B301B1223114	900/1500#	300#
B301B1223105	900/1500#	150#	B301B1223115	900/1500#	150#
B301B1223106	600#	600#	B301B1223116	600#	600#
B301B1223107	600#	300#	B301B1223117	600#	300#
B301B1223108	600#	150#	B301B1223118	600#	150#
B301B1223109	300#	300#	B301B1223119	300#	300#
B301B1223110	300#	150#	B301B1223120	300#	150#

NOTES:

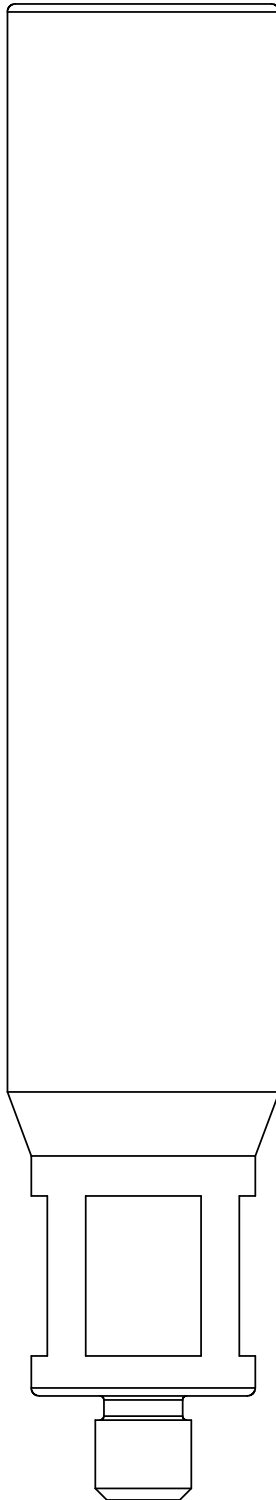
1. THESE ARE REFERENCE FOR THE STUDDED FLANGED FLUID ENDS ON THE BD-120/130/150/165LCF AND BD-120/130/150/165MCF.
2. THESE ARE THE CARBON STEEL OPTION PART NUMBERS ONLY. STAINLESS STEEL, DUPLEX STAINLESS STEEL AND BRONZE ARE AVAILABLE ON SOME PARTS.

NOY NATIONAL OILWELL VARGO		
<small>HOUSTON, TEXAS, U.S.A. ENGINEERING, TULSA, OKLAHOMA</small>		
TITLE PARTS LIST STUDDED FLANGED FLUID ENDS BD-120/130/150/165		
DWG No: BPL120FFE	REV A	SHT 1 of 1



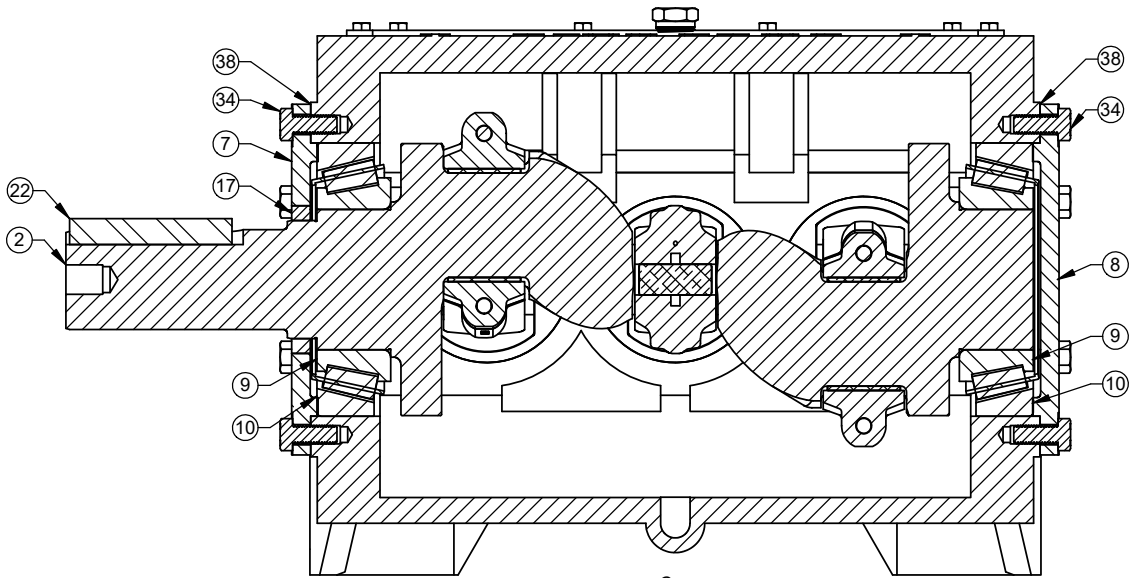
FIND #	DIAMETER	PART NUMBER	REQ'D
1	1.000	B353C0821901	3
	1.125	B353C0821902	
	1.250	B353C0821903	
	1.375	B353C0821904	
	1.500	B353C0821905	
	1.625	B353C0821906	
	1.750	B353C0821907	
	1.875	B353C0821908	
	2.000	B353C0822001	
	2.125	B353C0822002	
	2.250	B353C0822003	
	2.375	B353C0822004	
	2.500	B353C0822005	
	2.625	B353C1093500	
	2.750	B353C0822006	
	3.000	B353C0822007	
	3.250	B353C0822008	
3.500	B353C0822009		
3.750	B353C0822010		
4.000	B353C0822011		

MATERIAL SUFIX		
SUFIX	COATING	BASE MATERIAL
NONE	COLMONOY	CARBON STEEL
T	TUNGSTUN CARBIDE	STAINLESS STEEL
C	CERAMIC	STAINLESS

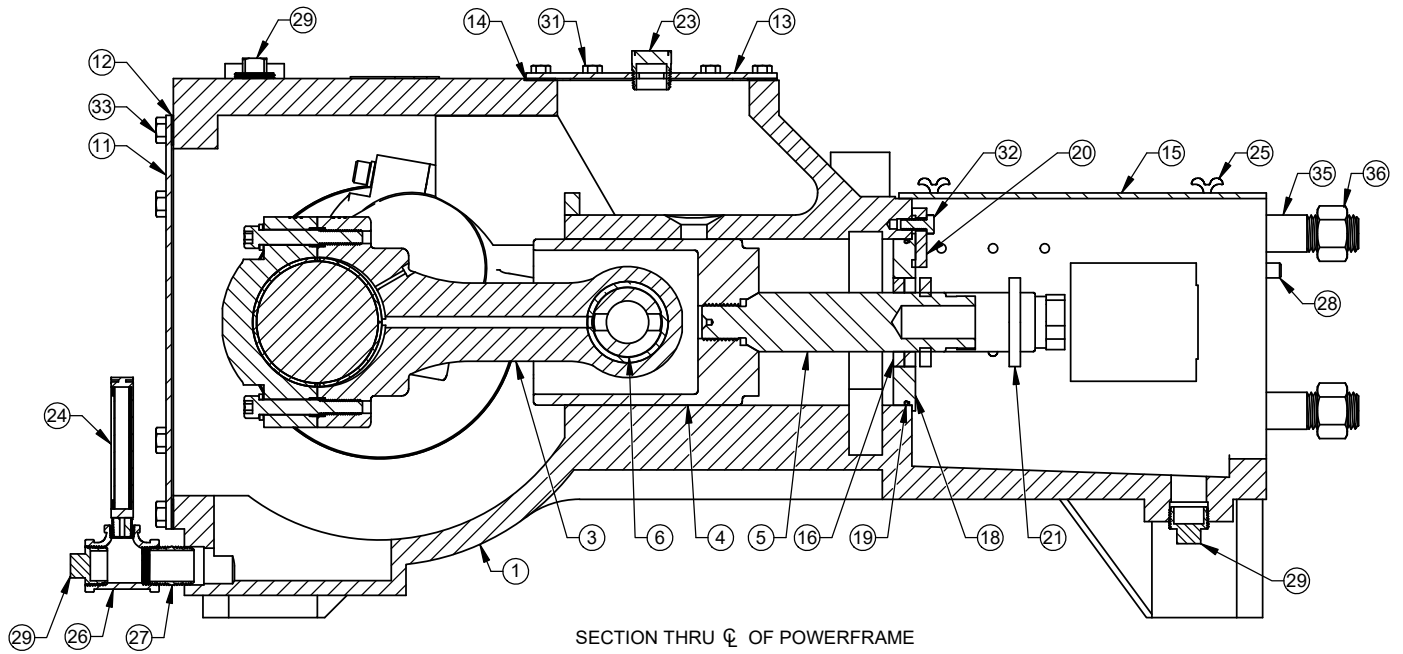


FIND #	DIAMETER	PART NUMBER	REQ'D
1	2.250	B353B0916536	3
	2.380	B353B0916538	
	2.500	B353B0916540	
	2.625	B353B0916542	
	2.750	B353B0916544	
	2.875	B353B0916546	
	3.000	B353B0916548	
	3.125	B353B0916550	
	3.250	B353B0916552	
	3.375	B353B0916554	
	3.500	B353B0916556	
	3.625	B353B0916558	
	3.750	B353B0916560	
	3.875	B353B0916562	
	4.000	B353B0916564	
	4.125	B353B0916566	
	4.250	B353B0916568	
4.375	B353B0916570		
4.500	B353B0916572		

MATERIAL SUFIX		
SUFIX	COATING	BASE MATERIAL
NONE	COLMONOY	CARBON STEEL
T	TUNGSTUN CARBIDE	STAINLESS STEEL
C	CERAMIC	STAINLESS



SECTION THRU ̢ OF CRANKSHAFT



SECTION THRU ̢ OF POWERFRAME

FIND #	DESCRIPTION	BD-120 PART #	BD-130 PART #	REQ'D	FIND #	DESCRIPTION	BD-120 PART #	BD-130 PART #	REQ'D
1	POWER FRAME	B100E0630100		1	21	DEFLECTOR	B123A0775800		3
2	CRANKSHAFT	B103E0647301	B103E0647351	1	22	KEY	B811B0323418		1
3	CONNECTING ROD ASSEMBLY	B101975		3	23	BREATHER	B9514A1E0237		1
4	CROSSHEAD	B117C0820000	B117C0820005	3	24	OIL LEVEL INDICATOR	B9513ECAU0BB		1
5	CROSSHEAD STUB	B122C0820100		3	25	THUMB SCREW	B9136A040A1		4
6	WRIST PIN	B119B0877500		3	26	REDUCING TEE	B9205BAA8ED8		1
7	CRANKSHAFT FRAME CAP. INBOARD	B133C0820300		1	27	NIPPLE	B820110A00D5		1
8	CRANKSHAFT FRAME CAP. OUTBOARD	B132C0820200		1	28	HARDEND STEEL PIN	B912150012A2		2
9	CONE, CRANKSHAFT BEARING	B9610BGRA041		2	29	PLUG 1" SQUARE HEAD	170-100001-220		3
10	CUP, CRANKSHAFT BEARING	B9610CGRA001		2	30	PLUG 3/8" SQUARE HEAD	170-038003-220		2
11	COVER, CRANKCASE	B154C0820401		1	31	HEX HEAD CAP SCREW	100-038058-290		12
12	GASKET, CRANKCASE	B620C0820501		1	32	HEX HEAD CAP SCREW	100-038078-290		3
13	COVER, INSPECTION	B153C1147300		1	33	HEX HEAD CAP SCREW	100-012034-290		12
14	GASKET, INSPECTION	B621C1030201		1	34	HEX HEAD CAP SCREW	100-058112-290		12
15	COVER, PLUNGERS	B152C0821600		1	35	CYLINDER TIE STUD	B824A0155418		4
16	CROSSHEAD STUB OIL SEAL	B94111000126		6	36	CYLINDER TIE NUT	133-114007-286		4
17	OIL SEAL CRANKSHAFT	B94111000145		1	37	SET SCREW, CROSSHEAD	B9137B0810A2		12
18	WIPER BOX	B141B0830001		3	38	SHIM SET	B120150		1
19	O-RING, CROSSHEAD STUB SEAL	110-000253-200		3	39	TAG	PTAG-300		1
20	CLAMP, WIPER BOX	B648A0803900		3	40	DRIVE SCREW	126-006516-405		4

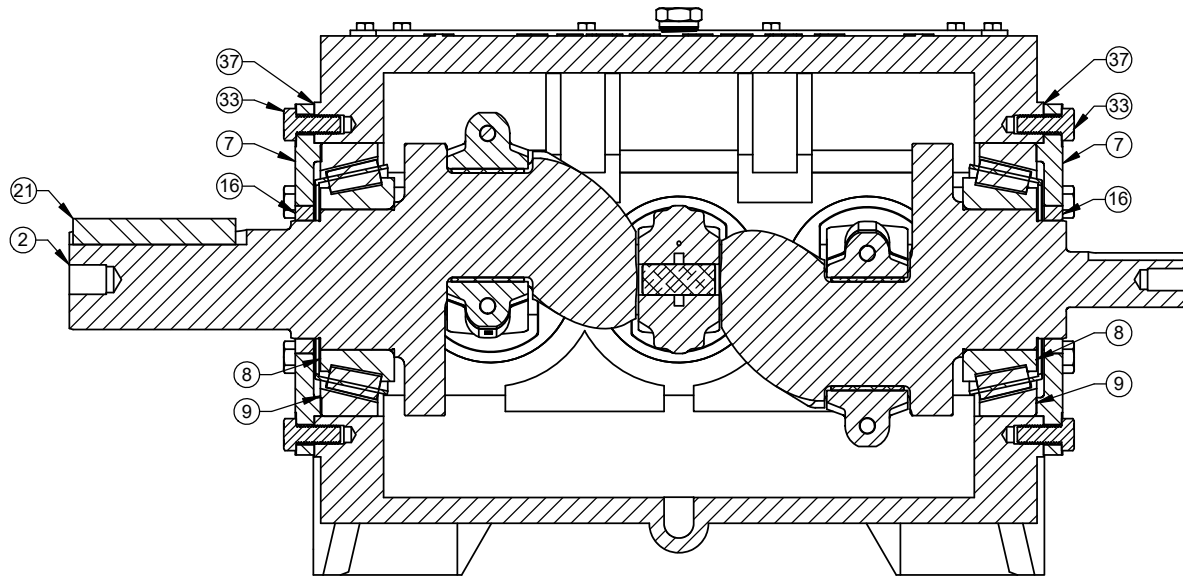
NOTES:

- ITEMS 30, 37, 39 AND 40 ARE NOT SHOWN.
- LEFT HAND DRIVE SHOWN, FOR RIGHT HAND DRIVE SWITCH SHAFT TO OTHER SIDE.

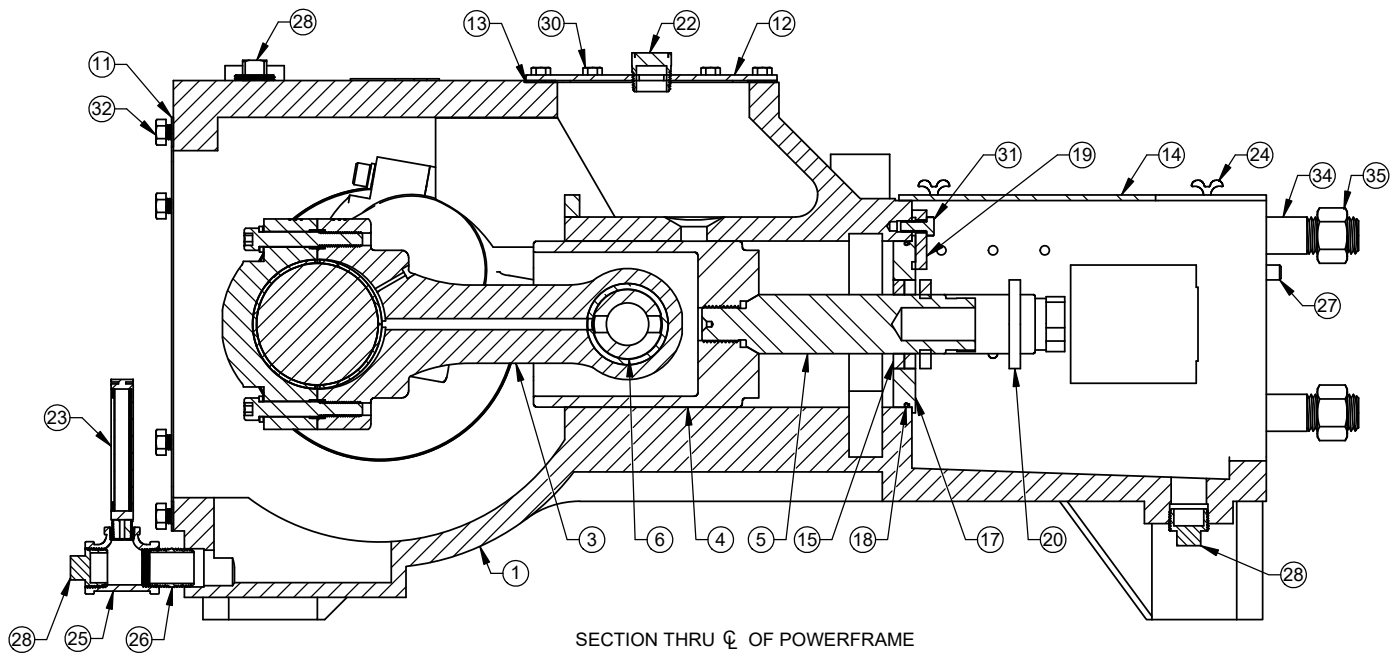
NOV NATIONAL OILWELL VARGO
HOUSTON, TEXAS, U.S.A. ENGINEERING, TULSA, OKLAHOMA

TITLE: **PARTS LIST
BD-120/BD-130
POWER END**

DWG No: **BPL120PE** REV: **A** SHEET: **1** OF **1**



SECTION THRU ̢ OF CRANKSHAFT



SECTION THRU ̢ OF POWERFRAME

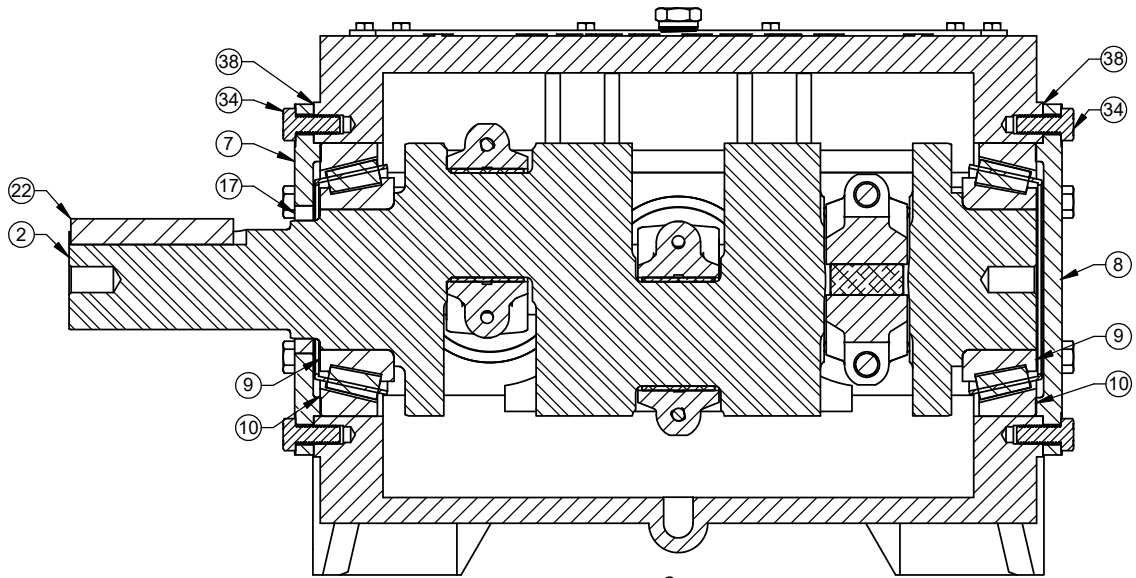
FIND #	DESCRIPTION	BD-120 PART #	BD-130 PART #	REQ'D
1	POWER FRAME	B100E0630100		1
2	CRANKSHAFT	B103E0647307	B103E0647357	1
3	CONNECTING ROD ASSEMBLY	B101975		3
4	CROSSHEAD	B117C0820000	B117C0820005	3
5	CROSSHEAD STUB	B122C0820100		3
6	WRIST PIN	B119B0877500		3
7	CRANKSHAFT FRAME CAP, INBOARD	B133C0820300		2
8	CONE, CRANKSHAFT BEARING	B9610BGRA041		2
9	CUP, CRANKSHAFT BEARING	B9610CGRA001		2
10	COVER, CRANKCASE	B154C0820401		1
11	GASKET, CRANKCASE	B620C0820501		1
12	COVER, INSPECTION	B153C1147300		1
13	GASKET, INSPECTION	B621C1030201		1
14	COVER, PLUNGERS	B152C0821600L		1
15	CROSSHEAD STUB OIL SEAL	B94111000126		6
16	OIL SEAL CRANKSHAFT	B94111000145		2
17	WIPER BOX	B141B0830001		3
18	O-RING, CROSSHEAD STUB SEAL	110-000253-200		3
19	CLAMP, WIPER BOX	B648A0803900		3
20	DEFLECTOR	B123A0775800		3

FIND #	DESCRIPTION	BD-120 PART #	BD-130 PART #	REQ'D
21	KEY	B811B0323418		1
22	BREATHER	B9514A1E0237		1
23	OIL LEVEL INDICATOR	B9513ECAU0BB		1
24	THUMB SCREW	B9136A0404A1		4
25	REDUCING TEE	B9205BAA8ED8		1
26	NIPPLE	B820110A00D5		1
27	HARDEND STEEL PIN	B912150012A2		2
28	PLUG 1" SQUARE HEAD	170-100001-220		3
29	PLUG 3/8" SQUARE HEAD	170-038003-220		2
30	HEX HEAD CAP SCREW	100-038058-290		12
31	HEX HEAD CAP SCREW	100-038078-290		3
32	HEX HEAD CAP SCREW	100-012034-290		12
33	HEX HEAD CAP SCREW	100-058112-290		12
34	CYLINDER TIE STUD	B824A0155418		4
35	CYLINDER TIE NUT	133-114007-286		4
36	SET SCREW, CROSSHEAD	B9137B0810A2		12
37	SHIM SET	B120150		1
38	TAG	PTAG-300		1
39	DRIVE SCREW	126-006516-405		4

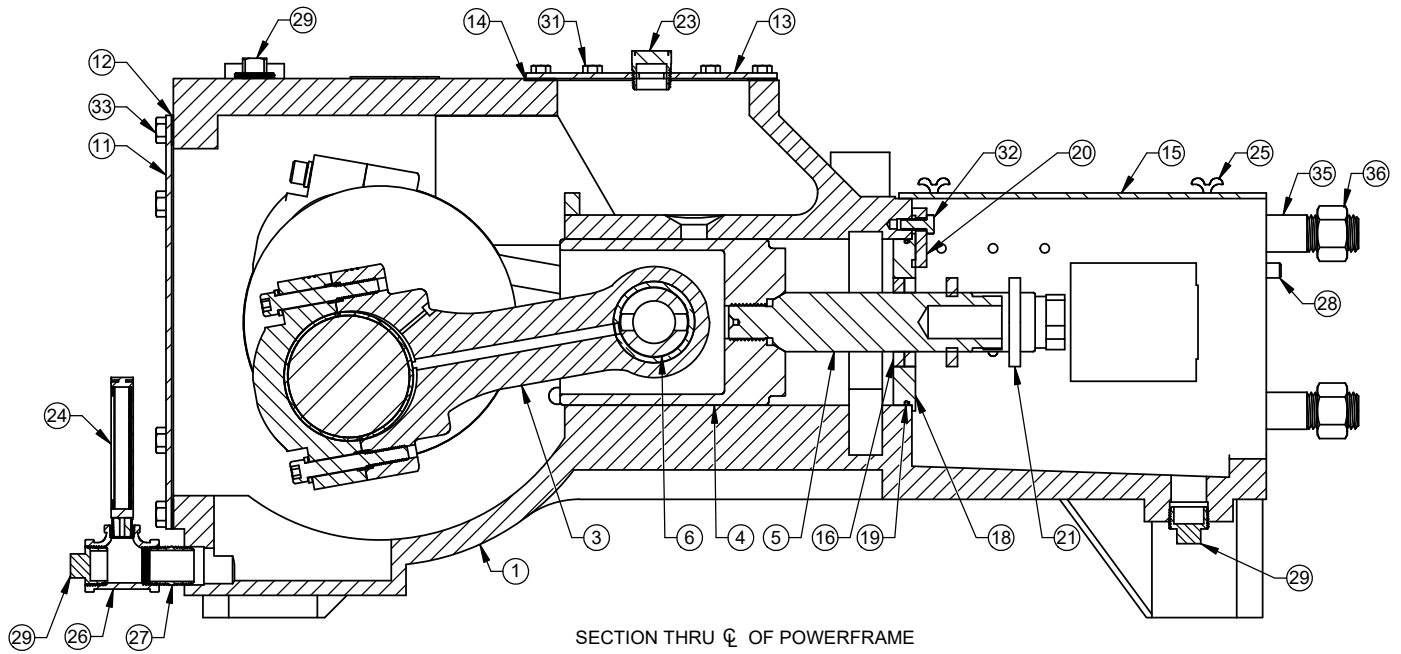
NOTES:

- ITEMS 29, 36, 38 AND 39 ARE NOT SHOWN.
- LEFT HAND DRIVE SHOWN, FOR RIGHT HAND DRIVE SWITCH SHAFT TO OTHER SIDE.

NOV NATIONAL OILWELL VARGO	
<small>HOUSTON, TEXAS, U.S.A. ENGINEERING, TULSA, OKLAHOMA</small>	
TITLE: PARTS LIST	
BD-120/BD-130	
POWER END WITH AUX SHAFT	
DWG NO: BPL120PEA	REV: A SHEET: 1 OF 1



SECTION THRU CL OF CRANKSHAFT



SECTION THRU CL OF POWERFRAME

FIND #	DESCRIPTION	BD-150 PART #	BD-165 PART #	REQ'D	FIND #	DESCRIPTION	BD-150 PART #	BD-165 PART #	REQ'D
1	POWER FRAME	B100E0630100		1	21	DEFLECTOR	B123A0775800		3
2	CRANKSHAFT	B103E0647300	B103E0647350	1	22	KEY	B811B0323418		1
3	CONNECTING ROD ASSEMBLY	B101975		3	23	BREATHER	B9514A1E0237		1
4	CROSSHEAD	B117C0820000	B117C0820005	3	24	OIL LEVEL INDICATOR	B9513ECAU0BB		1
5	CROSSHEAD STUB	B122C0820100		3	25	THUMB SCREW	B9136A040A1		4
6	WRIST PIN	B119B0877500		3	26	REDUCING TEE	B9205BAA8ED8		1
7	CRANKSHAFT FRAME CAP, INBOARD	B133C0820300		1	27	NIPPLE	B820110A00D5		1
8	CRANKSHAFT FRAME CAP, OUTBOARD	B132C0820200		1	28	HARDEND STEEL PIN	B912150012A2		2
9	CONE, CRANKSHAFT BEARING	B9610BGRA041		2	29	PLUG 1" SQUARE HEAD	170-100001-220		3
10	CUP, CRANKSHAFT BEARING	B9610CGRA001		2	30	PLUG 3/8" SQUARE HEAD	170-038003-220		2
11	COVER, CRANKCASE	B154C0820401		1	31	HEX HEAD CAP SCREW	100-038058-290		12
12	GASKET, CRANKCASE	B620C0820501		1	32	HEX HEAD CAP SCREW	100-038078-290		3
13	COVER, INSPECTION	B153C1147300		1	33	HEX HEAD CAP SCREW	100-012034-290		12
14	GASKET, INSPECTION	B621C1030201		1	34	HEX HEAD CAP SCREW	100-058112-290		12
15	COVER, PLUNGERS	B152C0821600		1	35	CYLINDER TIE STUD	B824A0155418		4
16	CROSSHEAD STUB OIL SEAL	B94111000126		6	36	CYLINDER TIE NUT	133-114007-286		4
17	OIL SEAL CRANKSHAFT	B94111000145		1	37	SET SCREW, CROSSHEAD	B9137B0810A2		12
18	WIPER BOX	B141B0830001		3	38	SHIM SET	B120150		1
19	O-RING, CROSSHEAD STUB SEAL	110-000253-200		3	39	TAG	PTAG-300		1
20	CLAMP, WIPER BOX	B648A0803900		3	40	DRIVE SCREW	126-006516-405		4

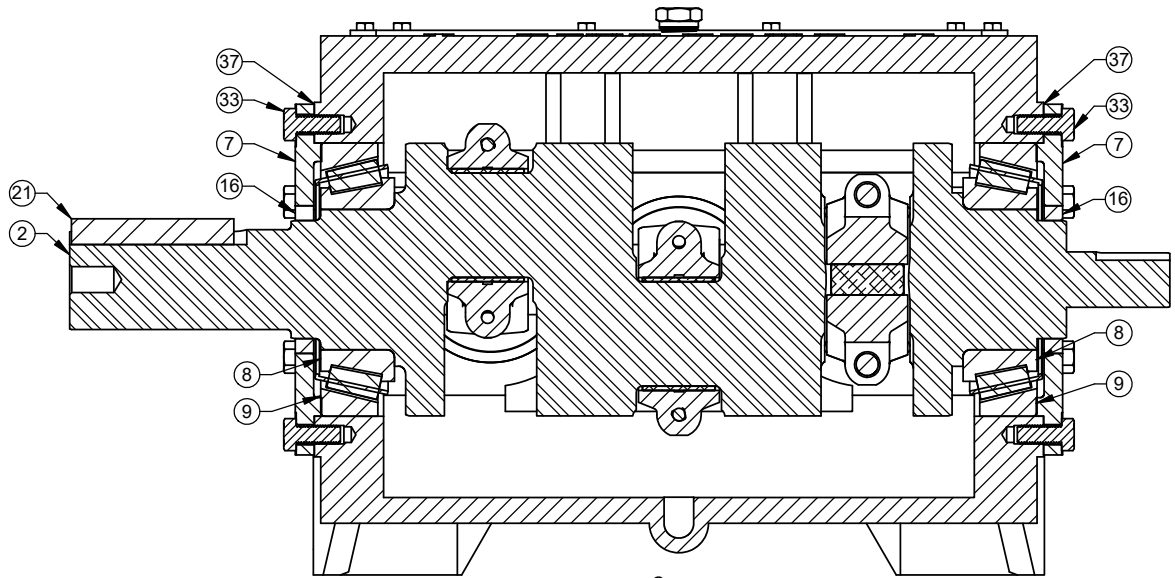
NOTES:

- ITEMS 30, 37, 39 AND 40 ARE NOT SHOWN.
- LEFT HAND DRIVE SHOWN, FOR RIGHT HAND DRIVE SWITCH SHAFT TO OTHER SIDE.

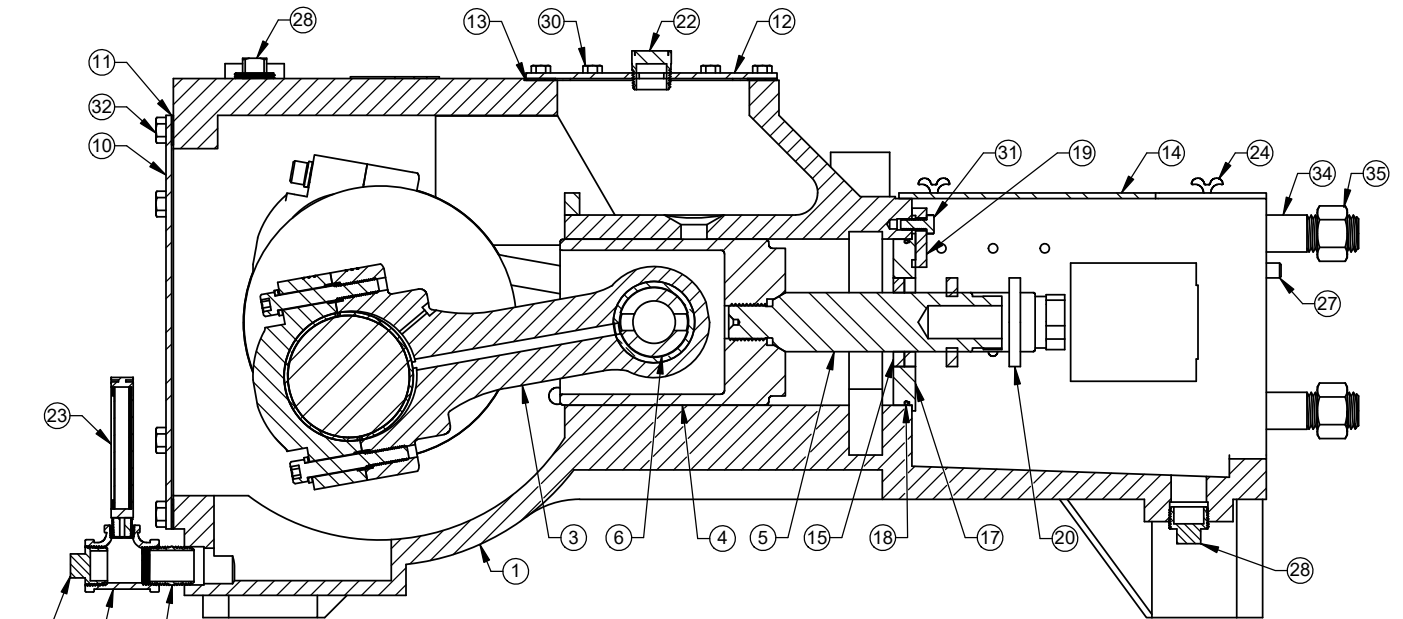
NOV NATIONAL OILWELL VARGO
HOUSTON, TEXAS, U.S.A. ENGINEERING, TEXAS, OKLAHOMA

TITLE: **PARTS LIST**
BD-150/BD-165
POWER END

DWG No: **BPL150PE** REV: **A** SH: **1** OF **1**



SECTION THRU ̢ OF CRANKSHAFT



SECTION THRU ̢ OF POWERFRAME

FIND #	DESCRIPTION	BD-150 PART #	BD-165 PART #	REQ'D
1	POWER FRAME	B100E0630100		1
2	CRANKSHAFT	B103E0647975	B103E0647492	1
3	CONNECTING ROD ASSEMBLY	B101975		3
4	CROSSHEAD	B117C0820000	B117C0820005	3
5	CROSSHEAD STUB	B122C0820100		3
6	WRIST PIN	B119B0877500		3
7	CRANKSHAFT FRAME CAP, INBOARD	B133C0820300		2
8	CONE, CRANKSHAFT BEARING	B9610BGRA041		2
9	CUP, CRANKSHAFT BEARING	B9610CGRA001		2
10	COVER, CRANKCASE	B154C0820401		1
11	GASKET, CRANKCASE	B620C0820501		1
12	COVER, INSPECTION	B153C1147300		1
13	GASKET, INSPECTION	B621C1030201		1
14	COVER, PLUNGERS	B152C0821600L		1
15	CROSSHEAD STUB OIL SEAL	B94111000126		6
16	OIL SEAL CRANKSHAFT	B94111000145		1
17	WIPER BOX	B141B0830001		3
18	O-RING, CROSSHEAD STUB SEAL	110-00253-200		3
19	CLAMP, WIPER BOX	B648A0803900		3
20	DEFLECTOR	B123A0775800		3

FIND #	DESCRIPTION	BD-150 PART #	BD-165 PART #	REQ'D
21	KEY	B811B0323418		1
22	BREATHER	B9514A1E0237		1
23	OIL LEVEL INDICATOR	B9513ECAU0BB		1
24	THUMB SCREW	B9136A0404A1		4
25	REDUCING TEE	B9205BAA8ED8		1
26	NIPPLE	B820110A00D5		1
27	HARDEND STEEL PIN	B912150012A2		2
28	PLUG 1" SQUARE HEAD	170-100001-220		3
29	PLUG 3/8" SQUARE HEAD	170-038003-220		2
30	HEX HEAD CAP SCREW	100-038058-290		12
31	HEX HEAD CAP SCREW	100-038078-290		3
32	HEX HEAD CAP SCREW	100-012034-290		12
33	HEX HEAD CAP SCREW	100-058112-290		12
34	CYLINDER TIE STUD	B824A0155418		4
35	CYLINDER TIE NUT	133-114007-286		4
36	SET SCREW, CROSSHEAD	B9137B0810A2		12
37	SHIM SET	B120150		1
38	TAG	PTAG-300		1
39	DRIVE SCREW	126-006516-405		4

NOTES:

- ITEMS 29, 36, 38 AND 39 ARE NOT SHOWN.
- LEFT HAND DRIVE SHOWN, FOR RIGHT HAND DRIVE SWITCH SHAFT TO OTHER SIDE.

NOV NATIONAL OILWELL VARCO
HOUSTON, TEXAS, U.S.A. ENGINEERING, TULSA, OKLAHOMA

TITLE: PARTS LIST
 BD-150/BD-165
 POWER END WITH AUX SHAFT

DWG NO: BPL150PEA REV: A SHEET: 1 OF 1

PUMP	VALVE SEAT PULLER
MX-3M	B999A0200
MX-3H	B999A0300
MX-3MC	181259201
CX-5L	B999A0100
CX-5M	B999A0200
CX-5H	B999A0300
CX-5MC	181259201
BX-10/BD-28L	B999A0100
BX-10M	B999A0200
BX-10H	B999A0300
BD-28M	B999A0200
BD-28H	B999A0300
BD-28U	N/A
BX-10/BD-28LC	181259226
BX-10/BD-28MC	181259201
BX-10/BD-28LCF	181259226
BD-30L	B999A0400
BD-30M	B999A0500
BD-30LCF	181259226
BD-30MCF	181259201
BD-60/85L	B999A0800
BD-60/85M	B999A0700
BD-60/85H	B999A0900
BD-60/85U	N/A
BD-60/85LCF	180104127
BD-60/85MCF	181259226
BQ-100L	B999A0800
BQ-100M	B999A0700
BQ-100H	B999A0900
BD-120/130/150/165L	N/A
BD-120/130/150/165M	N/A
BD-120/130/150/165H	N/A
BD-120/130/150/165LCF	180104143
BD-120/130/150/165MCF	170104127
BQ-200L	N/A
BQ-200M	N/A
BQ-200H	N/A

ITEM	PART #
GLAND LIMITER	B362A1224010
SPANNER WRENCH	B363A0000001