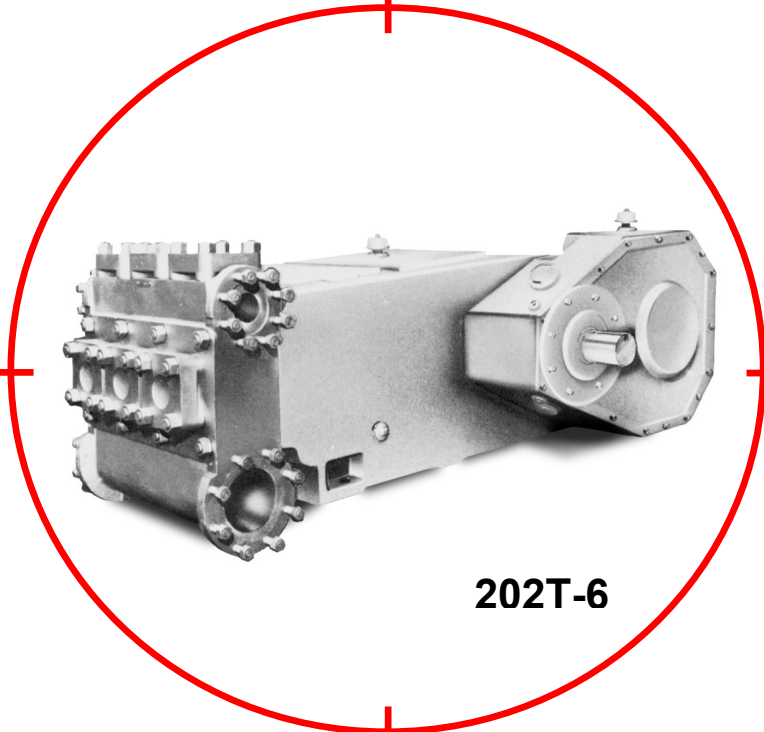


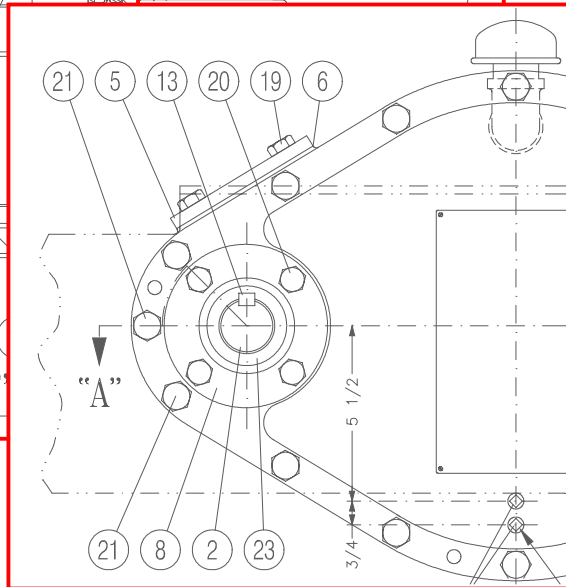
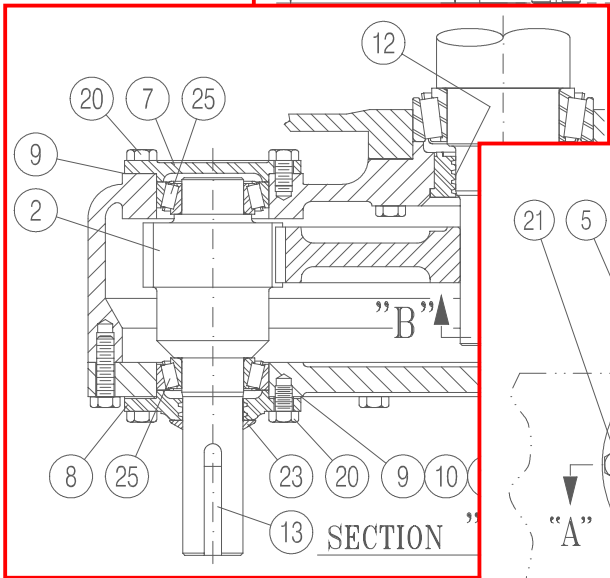
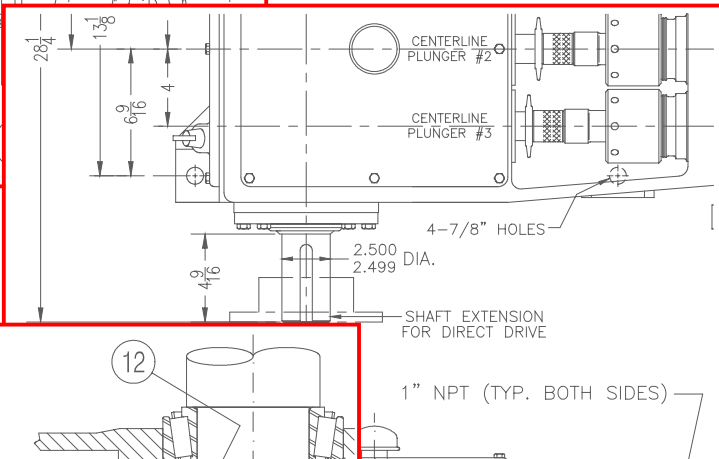
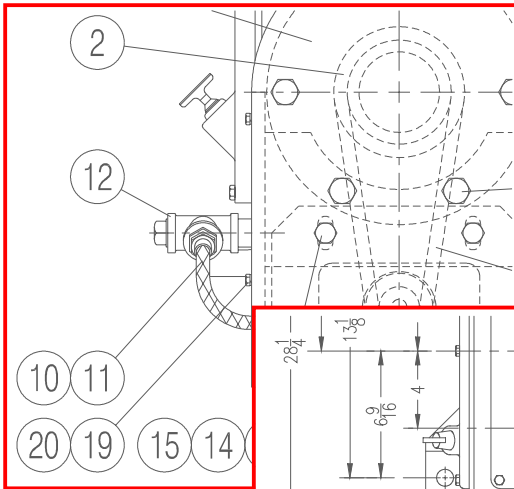


NATIONAL OILWELL

202T-6H Triplex Plunger Pump Parts List



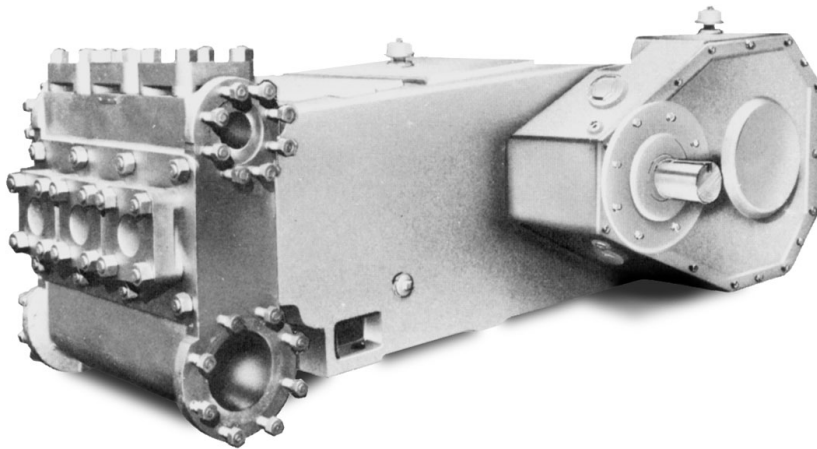
202T-6



**Types:
202T-6H**

Sales / Technical Information

**USA Tollfree: 1 (800) 800-4110
Phone: 1 (713) 462-4110
Fax: 1 (713) 462-3152
Internet: <http://www.natoil.com>**



Rated input horsepower

"T" Triplex

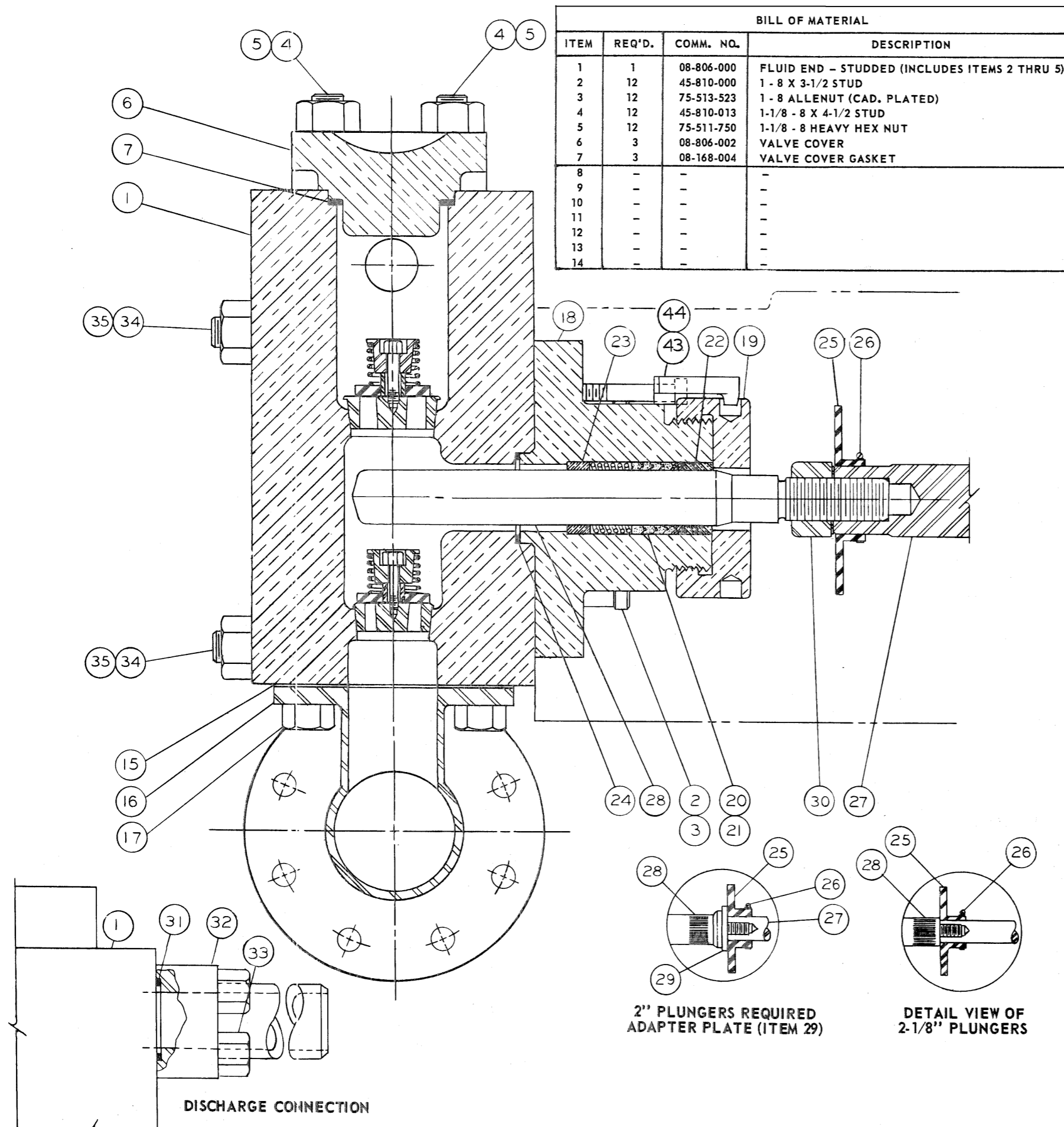
Stroke Length (in.)

Fluid End Pressure Ranges

"L" Low, "M" Medium, "H" High

Index and Check List:


PAGE	DWG. NUMBER	DESCRIPTION	SERIES OF ISSUE	DATE OF ISSUE
1	TS-476	FLUID END ASSEMBLY	FIRST	5-1-81
2	TS-477	VALVE SERVICE ASSEMBLY	FIRST	5-1-81
3	P213-AE1	POWER END ASSEMBLY	SECOND	10-1-88
4	P115-AM1	DIAPHRAGM ASSEMBLY	SECOND	10-1-88
5	P213-AH1	GEAR REDUCTION UNIT ASSEMBLY	FIRST	10-1-88
6	P150-AD1	LUBRICATOR ASSEMBLY	SECOND	10-1-88
7	P217-A2	OUTLINE DRAWING WITH GEAR	SECOND	5-1-81
8	P217-2	OUTLINE DRAWING LESS GEAR	SECOND	5-1-81



BILL OF MATERIAL			
ITEM	REQ'D.	COMM. NO.	DESCRIPTION
1	1	08-806-000	FLUID END - STUDDED (INCLUDES ITEMS 2 THRU 5)
2	12	45-810-000	1 - 8 X 3-1/2 STUD
3	12	75-513-523	1 - 8 ALLENUT (CAD. PLATED)
4	12	45-810-013	1-1/8 - 8 X 4-1/2 STUD
5	12	75-511-750	1-1/8 - 8 HEAVY HEX NUT
6	3	08-806-002	VALVE COVER
7	3	08-168-004	VALVE COVER GASKET
8	-	-	-
9	-	-	-
10	-	-	-
11	-	-	-
12	-	-	-
13	-	-	-
14	-	-	-

BILL OF MATERIAL			
ITEM	REQ'D.	COMM. NO.	DESCRIPTION
15	3	08-806-007	SUCTION MANIFOLD GASKET
16	1	08-806-001	SUCTION MANIFOLD
17	12	75-634-398	7/8 - 9 X 1-3/4 CAPSCREW
18	3	08-806-006	STUFFING BOX (1-5/8 - 1-7/8 PLUNGERS)
	3	08-806-005	STUFFING BOX (2 - 2-1/8 PLUNGERS)
19	3	08-806-004	STUFFING BOX GLAND (1-5/8 - 1-7/8 PLUNGERS)
	3	08-806-003	STUFFING BOX GLAND (2 - 2-1/8 PLUNGERS)
20	3	08-415-044	1-5/8 PACKING SET COMPLETE (STYLE 805-4)
	3	08-415-038	1-3/4 PACKING SET COMPLETE (STYLE 805-4)
	3	08-415-036	1-7/8 PACKING SET COMPLETE (STYLE 805-4)
	3	08-415-057	2 PACKING SET COMPLETE (STYLE 805-4)
	3	08-415-059	2-1/8 PACKING SET COMPLETE (STYLE 805-4)
21 *	3	08-415-045	1-5/8 REPLACEMENT PACKING SET (STYLE 805-4) *
	3	08-415-039	1-3/4 REPLACEMENT PACKING SET (STYLE 805-4) *
	3	08-415-037	1-7/8 REPLACEMENT PACKING SET (STYLE 805-4) *
	3	08-415-058	2 REPLACEMENT PACKING SET (STYLE 805-4) *
	3	08-415-060	2-1/8 REPLACEMENT PACKING SET (STYLE 805-4) *
22	3	08-426-013	1-5/8 PACKING FOLLOWER
	3	08-426-014	1-3/4 PACKING FOLLOWER
	3	08-806-010	1-7/8 PACKING FOLLOWER
	3	08-806-009	2 PACKING FOLLOWER
	3	08-806-008	2-1/8 PACKING FOLLOWER
23	3	08-424-028	1-5/8 STUFFING BOX BUSHING
	3	08-424-029	1-3/4 STUFFING BOX BUSHING
	3	08-424-030	1-7/8 STUFFING BOX BUSHING
	3	08-053-296	2 STUFFING BOX BUSHING
	3	08-226-235	2-1/8 STUFFING BOX BUSHING
24	3	16-201-005	STUFFING BOX GASKET
25	3	08-441-027	FLUID BAFFLE
26	3	99-094-087	FLUID BAFFLE CLAMP
27	3	08-441-026	PLUNGER EXTENSION ROD
28	3	08-412-133	1-5/8 CO-HARD PLUNGER CONSISTS OF 08-412-132 1-5/8 CO-HARD PLUNGER AND 08-441-013 PLUNGER LOCK NUT (ITEM 30)
	3	08-412-075	1-3/4 CO-HARD PLUNGER CONSIST OF 08-412-074 1-3/4 CO-HARD PLUNGER AND 08-441-013 PLUNGER LOCK NUT (ITEM 30)
	3	08-412-073	1-7/8 CO-HARD PLUNGER CONSISTS OF 08-412-072 1-7/8 CO-HARD PLUNGER AND 08-441-013 PLUNGER LOCK NUT (ITEM 30)
	3	08-412-044	2 CO-HARD PLUNGER CONSISTS OF 08-412-023 2 CO-HARD PLUNGER AND 08-412-134 PLUNGER ADAPTER PLATE (ITEM 29)
	3	08-412-053	2-1/8 CO-HARD PLUNGER
29	3	08-412-134	PLUNGER ADAPTER PLATE
30	3	08-441-013	PLUNGER LOCK NUT
31	2	99-609-222	"O" RING (2-1/4 X 2-5/8 X 3/16)
32	2	08-800-169	DISCHARGE CONNECTION
33	8	75-634-404	7/8 - 9 X 3 CAPSCREW
34	8	45-810-053	1 - 8 X 11-3/4 STUD
35	8	75-510-316	1 - 8 HEAVY HEX NUT
36	-	-	-
37	-	-	-
38	-	-	-
39	-	-	-
40	-	-	-
41	-	-	-
42	-	-	-
43	3	08-425-008	GLAND PAWL
44	3	75-635-671	5/8 - 11 X 5 SELF LOCKING SOCKET HEAD CAPSCREW

* Replacement packing set does not include compression spring.



NATIONAL OILWELL

HOUSTON, TEXAS U.S.A. ENGINEERING, McALESTER, OKLAHOMA

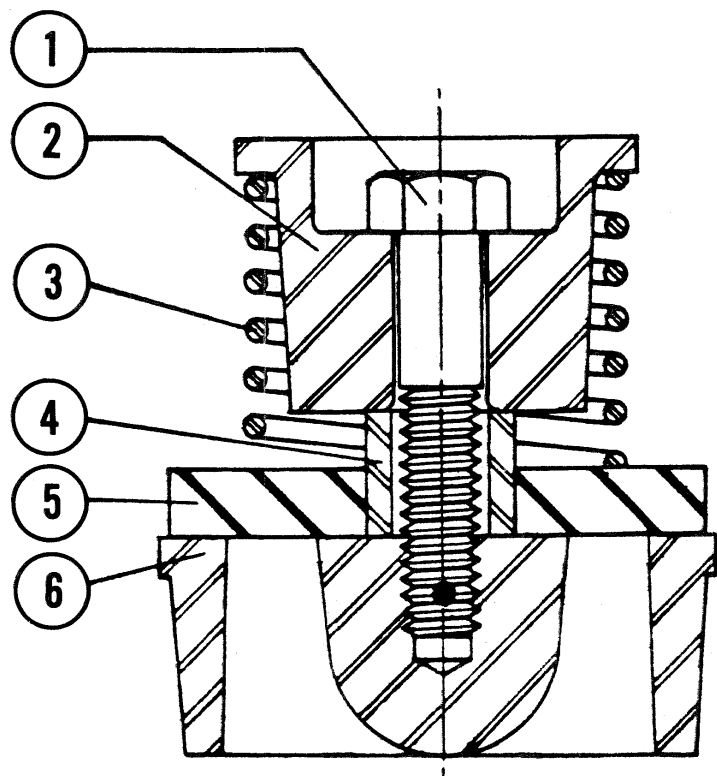
TITLE
FLUID END ASSEMBLY
202T-6H TRIPLEX PLUNGER PUMP

SIZE B	REFERENCE No.	DRAWING No. TS-476	REV
SCALE NONE	EST WT	SHEET 1 OF 1	

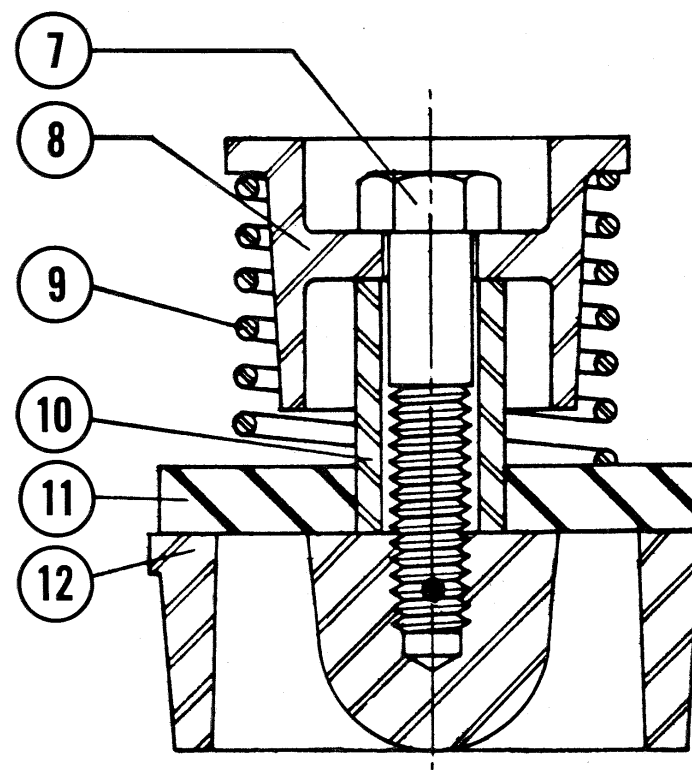
SUCTION VALVE ASSEMBLY

DISCHARGE VALVE ASSEMBLY

BILL OF MATERIAL			
ITEM	REQ'D.	COMM. NO.	DESCRIPTION
-	-	08-596-202	VALVE ASSEMBLY COMPLETE (INCLS. ITEMS 1 THRU 6)
1	3	08-522-023	7/16 - 14 X 1-3/4 NYLOK CAPSCREW (MONEL)
2	3	08-516-059	VALVE GUARD (S.S.)
3	3	20-016-023	VALVE SPRING (INCONEL)
4	3	08-516-035	VALVE SLEEVE (S.S.)
5	3	08-516-010	VALVE DISC (DELRIN)
6	3	08-522-032	VALVE SEAT (S.S.)
-	-	08-496-267	VALVE ASSEMBLY COMPLETE (INCLS. ITEMS 7 THRU 12)
7	3	08-422-025	1/2 - 13 X 2-1/4 NYLOK CAPSCREW (MONEL)
8	3	08-416-092	VALVE GUARD (S.S.)
9	3	08-416-093	VALVE SPRING (INCONEL)
10	3	08-416-054	VALVE SLEEVE (S.S.)
11	3	08-116-082	VALVE DISC (DELRIN)
12	3	08-422-049	VALVE SEAT (S.S.)




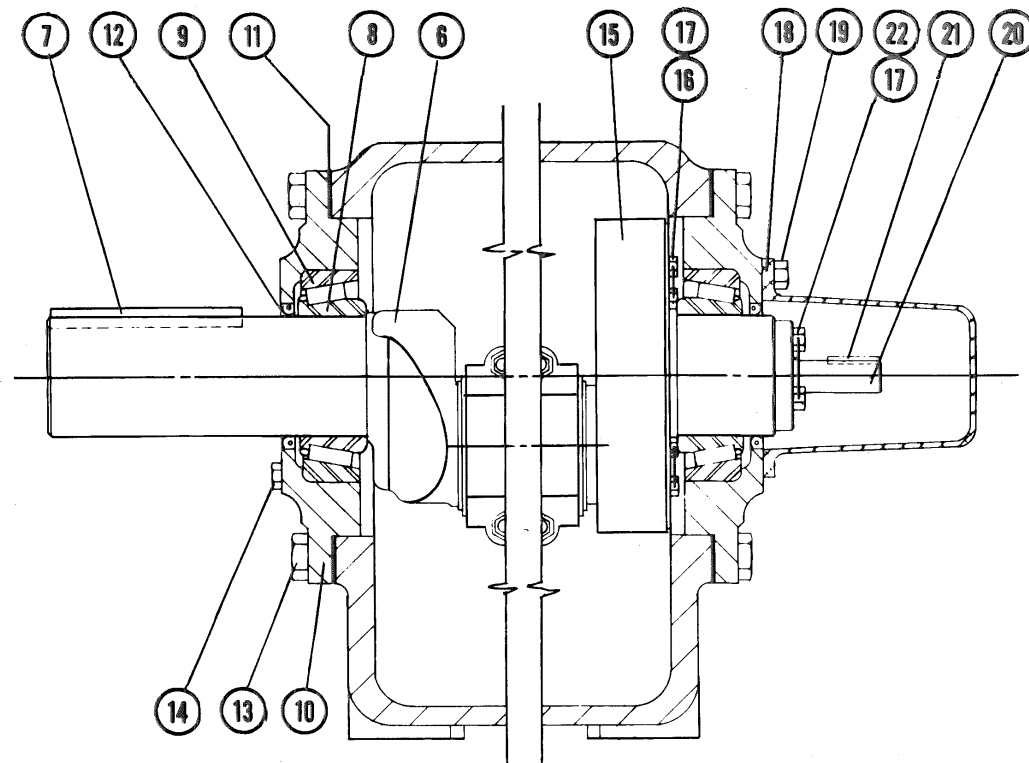
FK-P4
SIZE 256
(SUCTION VALVE ASSEMBLY)



FK-P4
SIZE 300
(DISCHARGE VALVE ASSEMBLY)

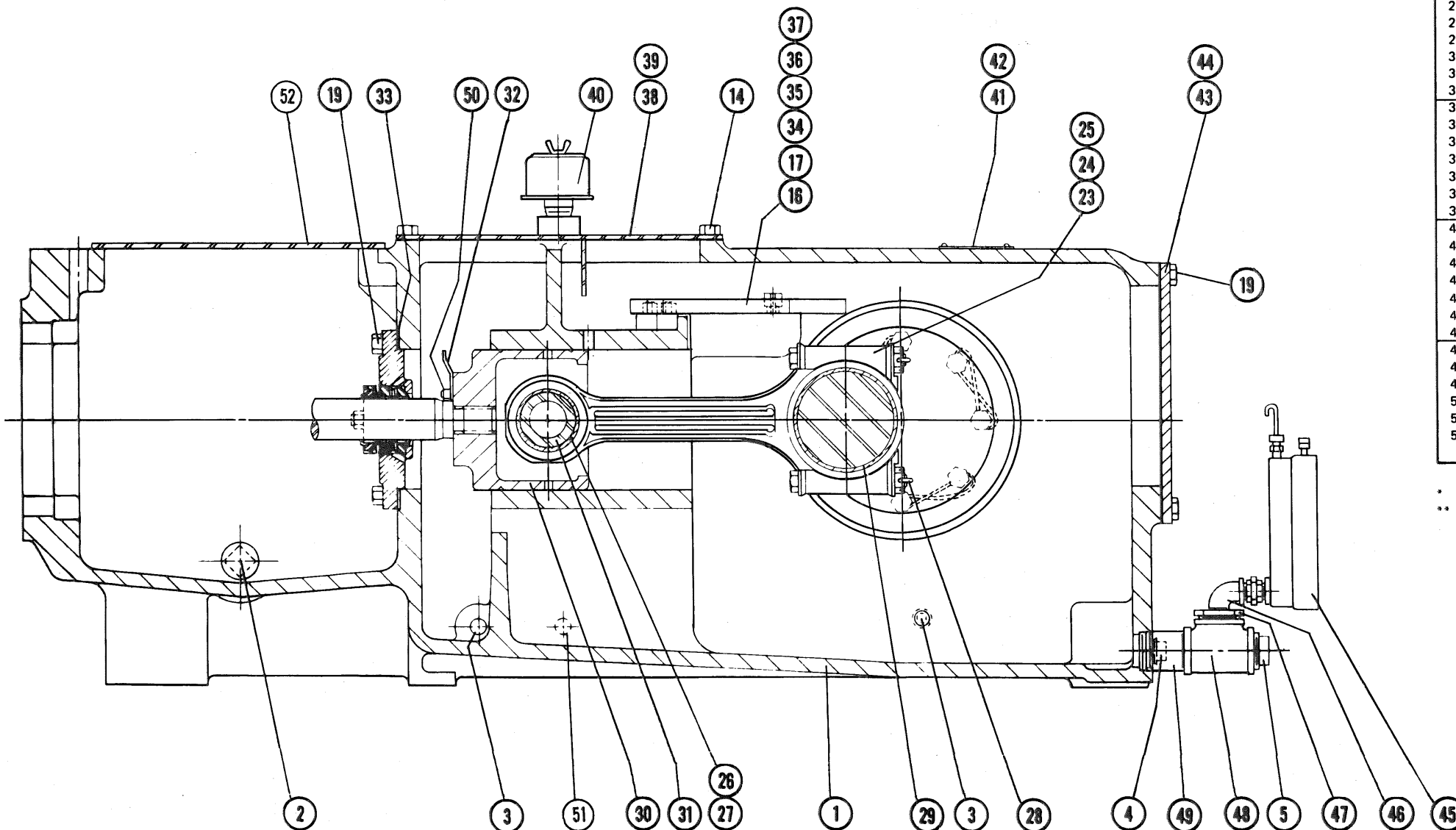
2


		NATIONAL OILWELL	
<small>HOUSTON, TEXAS U.S.A.</small>		<small>ENGINEERING, McALESTER, OKLAHOMA</small>	
TITLE VALVE SERVICE ASSEMBLY 202T-6H TRIPLEX PLUNGER PUMP			
SIZE B	REFERENCE No.	DRAWING No. TS-477	REV
SCALE NONE	EST WT	SHEET 1 OF 1	



BILL OF MATERIAL			
ITEM	REQ'D	COMM NO	DESCRIPTION
1	1	08-804-034	POWER END (INCL. ITEM 2,3,4 &51)
2	2	86-486-116	2" C.I. SOLID SQ HD PIPE PLUG
3	3	86-485-508	1" C.I. SOLID SQ HD PIPE PLUG
4	2	86-486-106	3/4 C.I. SOLID SQ HD PIPE PLUG
5	1	86-485-512	1-1/2 C.I. SOLID SQ HD PIPE PLUG
6	1	08-804-006	CRANKSHAFT
7	1	45-802-849	KEY (3/4 X 1" X 7-1/2)
8	2	65-011-530	BEARING CONE
9	2	65-014-008	BEARING CUP
10	2	08-804-009	HOUSING, BEARING
11*		08-804-017	SHIM SET (2 REQ'D) CONSISTS OF THE FOLLOWING*
	12	08-804-018	SHIM (.005" THK.)
	10	08-804-019	SHIM (.007" THK.)
	6	08-804-020	SHIM (.020" THK.)
12	2	68-630-575	OIL SEAL
13	16	75-634-400	7/8-9 X 2" HEX HD HT CAPSCREW
14	19	75-634-415	1/2-13 X 3/4 HEX HD HT CAPSCREW
15	1	08-442-003	OIL RING
16	10	45-143-001	1/2-13 X 3/4 DRLD HEX HD HT CAPSCREW
17		59-800-016	16 GA ANNEALED STL WIRE
18	1	08-727-008	COVER, SHAFT
19	31	75-634-351	1/2-13 X 1-1/4 HEX HD HT CAPSCREW
20	1	08-442-004	SHAFT, STUB
21	1	45-802-752	KEY (1/4 X 1/4 X 2-1/8)
22	3	45-143-500	5/8-11 DRLD HEX HD HT CAPSCREW
23	3	08-804-007	CONNECTING ROD (INCL. ITEMS 24, 25 & 26)
24	6	08-804-008	5/8-18 X 5-7/8 CONNECTING ROD BOLT
25	6	75-513-109	5/8-18 SLOTTED HEX NUT
26	3	08-804-002	BUSHING, CROSSHEAD PIN
27	6	75-660-003	RETAINING RING
28	6	75-102-005	1/8 X 1-1/2 STL COTTER
29	3	08-804-003	BEARING (TWO HALVES), CRANKPIN
30	3	08-804-032	CROSSHEAD
31	3	08-017-706	PIN, CROSSHEAD
32	3	08-412-170	PLATE, CROSSHEAD BAFFLE
33	3	08-466-001	GASKET
34	1	08-804-004	SCRAPER (L.H.), OIL
35	1	08-804-005	SCRAPER (R.H.), OIL
36	2	08-800-283	PIN
37	2	99-000-525	MAGNET
38	1	08-427-049	COVER, TOP FRAME
39	1	08-427-050	GASKET, TOP FRAME COVER
40	1	64-229-100	1-1/2 AIR BREATHER
41	1	10-300-240	PLATE, OIL SPECIFICATION
42	4	75-632-012	No. 2 X 1/4 TYPE U CAD PLTD. STL DRIVE SCREW
43	1	08-017-008	PLATE, (OILWELL) FRAME END
44	1	08-017-024	GASKET, FRAME END
45	1	64-661-271	SAFETY SWITCH
46	1	86-342-104	1/2 X 90° 150# BLK MI STREET ELBOW
47	1	86-061-025	1-1/2 X 1/2 C.I. STD BLK HEX PIPE BUSHING
48	1	86-543-112	1-1/2 150# MI PIPE TEE
49	1	86-428-010	1-1/2 X 3" SCH 80 BW STL PIPE NIPPLE
50	6	75-635-623	1/2-13 X 3/4 SKT HD HT SELF-LOCKING CAPSCREW
51	2	86-486-464	1" COUNTERSUNK PIPE PLUG
52	1	08-804-118	COVER (STEEL), CRADLE
	1	08-804-119	COVER (PLEXIGLASS), CRADLE**

* ONE SET REQUIRED WHEN GEAR REDUCER IS FURNISHED.
 ** OPTIONAL

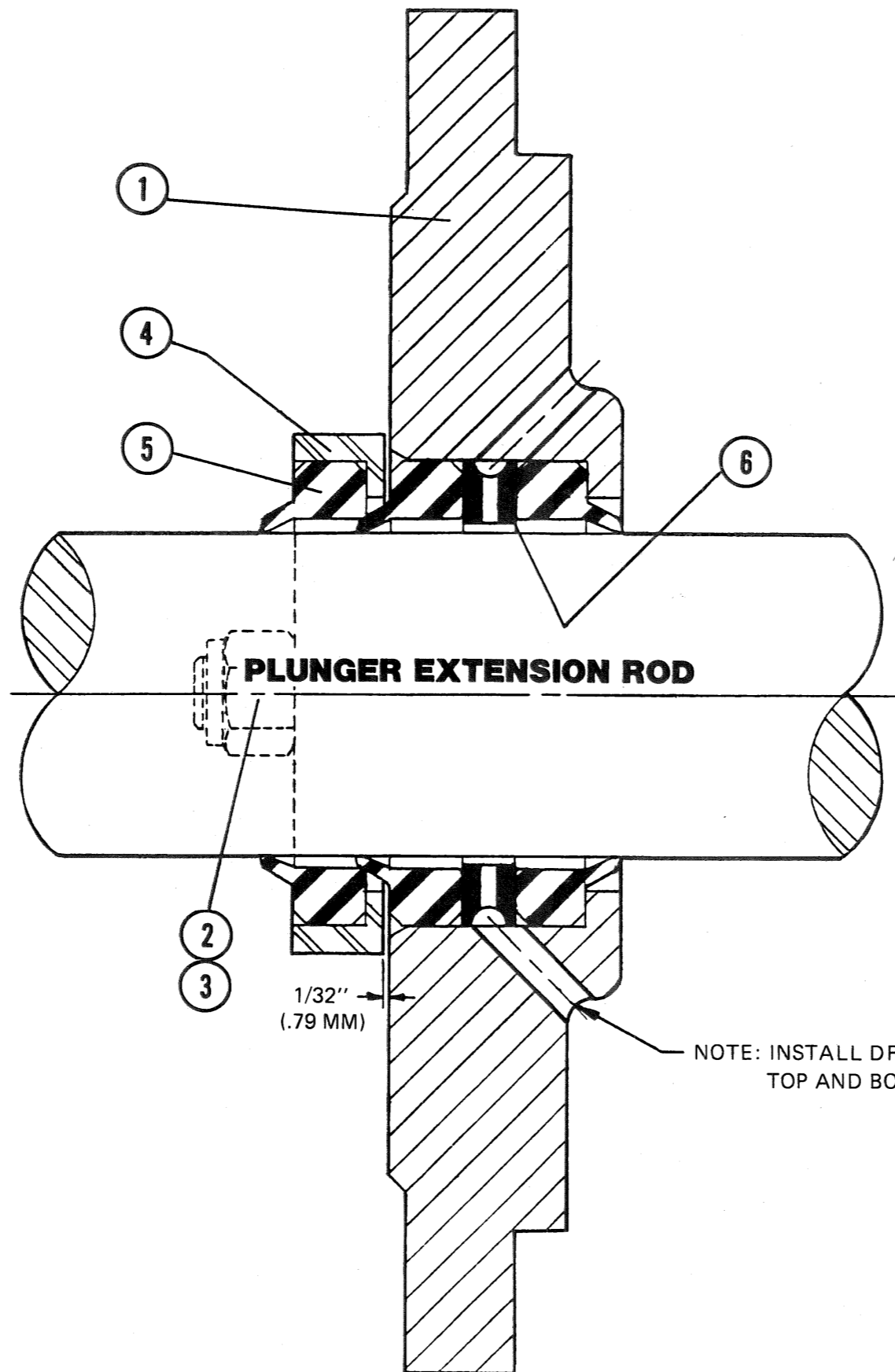



NATIONAL OILWELL

HOUSTON, TEXAS U.S.A. ENGINEERING, McALESTER, OKLAHOMA


TITLE
 POWER END ASSEMBLY
 202T-6 TRIPLEX PLUNGER PUMP

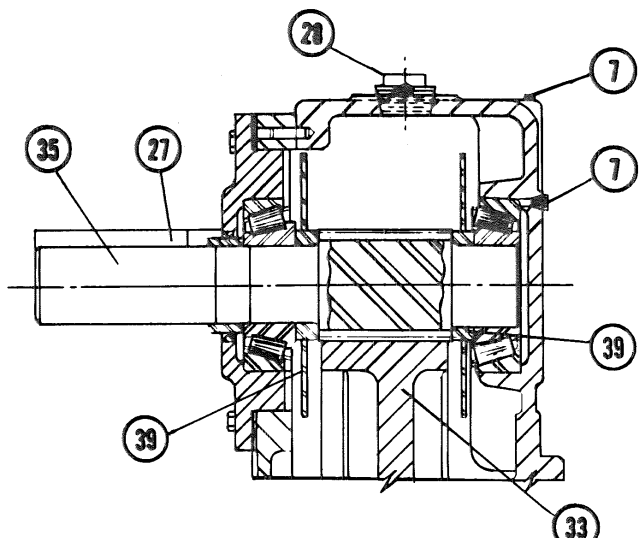
SIZE B	REFERENCE No.	DRAWING No. P213-AE1	REV
SCALE NONE	EST WT	SHEET 1 OF 1	



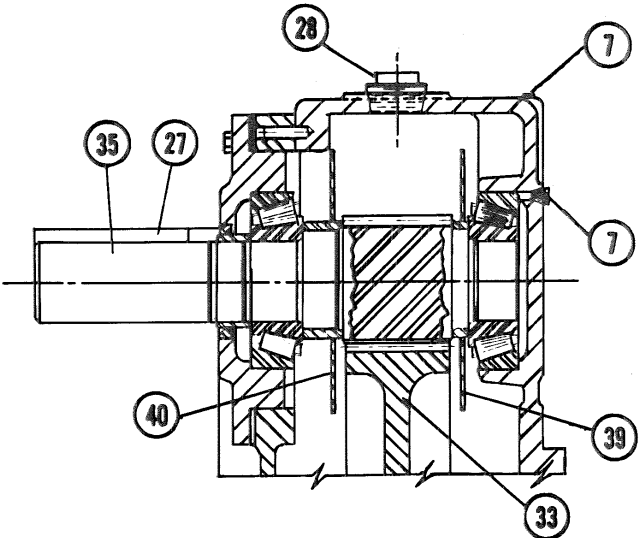
BILL OF MATERIAL			
ITEM	REQ'D	COMM NO	DESCRIPTION
1	3	08-466-010	DIAPHRAGM HOUSING (INCLS. ITEMS 2 & 3)
2	6	75-509-994	1/2-13 HEX STL LOCKNUT
3	6	49-002-925	1/2-13 X 2" STUD
4	3	08-467-006	GLAND, DIAPHRAGM
5	9	08-466-012	WIPER, ROD
6	3	08-411-016	RING, LANTERN

4

		NATIONAL OILWELL	
<small>HOUSTON, TEXAS U.S.A.</small>		<small>ENGINEERING, McALESTER, OKLAHOMA</small>	
TITLE DIAPHRAGM ASSEMBLY 202T-6 TRIPLEX PLUNGER PUMP			
SIZE B	REFERENCE No.	DRAWING No. P115-AM1	REV
SCALE NONE	EST WT	SHEET 1 OF 1	



5.476:1 GEAR REDUCTION RATIO



4.440:1 GEAR REDUCTION RATIO

BILL OF MATERIAL			
ITEM	REQ'D	COMM NO	DESCRIPTION
1	1	08-804-092	GEAR CASE (INCLS. ITEMS 2, 3, 4 & 7)
2	1	86-486-124	3" C.I. SOLID SQ HD PIPE PLUG
3	13	75-635-043	1/2-13 X 2-1/4 HEX HD HT CAPSCREW
4	2	45-804-110	1/2 X 1-7/8 DOWEL PIN
5	4	75-634-326	1/2-13 X 3-1/4 HEX HD HT CAPSCREW
6	4	75-634-352	1/2-13 X 1-1/2 HEX HD HT CAPSCREW
7	10	86-486-456	1/4 COUNTERSUNK PIPE PLUG
8	2	86-486-108	1" C.I. SOLID SQ HD PIPE PLUG
9	1	08-804-105	SPACER, GEAR
10	4	86-485-506	3/4 C.I. SOLID SQ HD PIPE PLUG
11	4	86-485-512	1-1/2 C.I. SOLID SQ HD PIPE PLUG
12	1	16-527-136	MAGNET ASSEMBLY
13	1	86-061-050	3" X 1-1/2 CI STD BLK HEX PIPE BUSHING
14	1	64-229-100	1-1/2 AIR BREATHER
15	1	08-804-011	HOUSING, PINION BEARING
16	1	08-804-013	SHIM SET (1 REQ'D) CONSISTS OF THE FOLLOWING
	6	08-804-014	SHIM (.005" THK)
	5	08-804-015	SHIM (.007" THK)
	3	08-804-016	SHIM (.020" THK)
17	1	68-630-507	OIL SEAL
18	1	08-804-021	RING, OIL SEAL WEAR
19	2	65-013-228	CUP, BEARING
20	2	65-010-521	CONE, BEARING
21	1	08-802-026	PLATE, RETAINER
22	1	75-635-178	1-1/4 - 8 X 2" HEX HD HT CAPSCREW
23	1	75-770-480	1-1/4 EXT SHAKEPROOF LOCKWASHER
24	1	45-804-236	GASKET
25	2	68-630-665	OIL SEAL
26	1	45-804-194	KEY (1" X 3/4 X 6-1/4)
27	1	45-122-603	KEY (7/8 X 7/8 X 6-1/2)
28	1	86-486-120	2-1/2 C.I. SOLID SQ HEAD PIPE PLUG
29	8	45-142-603	7/8-9 X 2" DRLD HEX HD HT CAPSCREW
30	1	59-800-016	16 GA ANNEALED STL WIRE
31	1	86-424-001	1/2 X CLOSE SCH 40 BW STL PIPE NIPPLE
32	1	86-061-010	3/4 X 1/2 C.I. STD BLK HEX PIPE BUSHING

1.588:1 GEAR REDUCTION RATIO			
33	1	08-275-000	GEAR (81 TEETH)
34	1	06-109-009	GAUGE, OIL
35	1	08-804-023	SHAFT, PINION
36	1	45-802-738	KEY (1/2 X 3/4 X 4-1/2)
37	1	08-804-026	PINION (51 TEETH)
38	1	08-804-106	SPACER
39	1	08-804-094	SPACER
40	1	08-804-095	SPACER

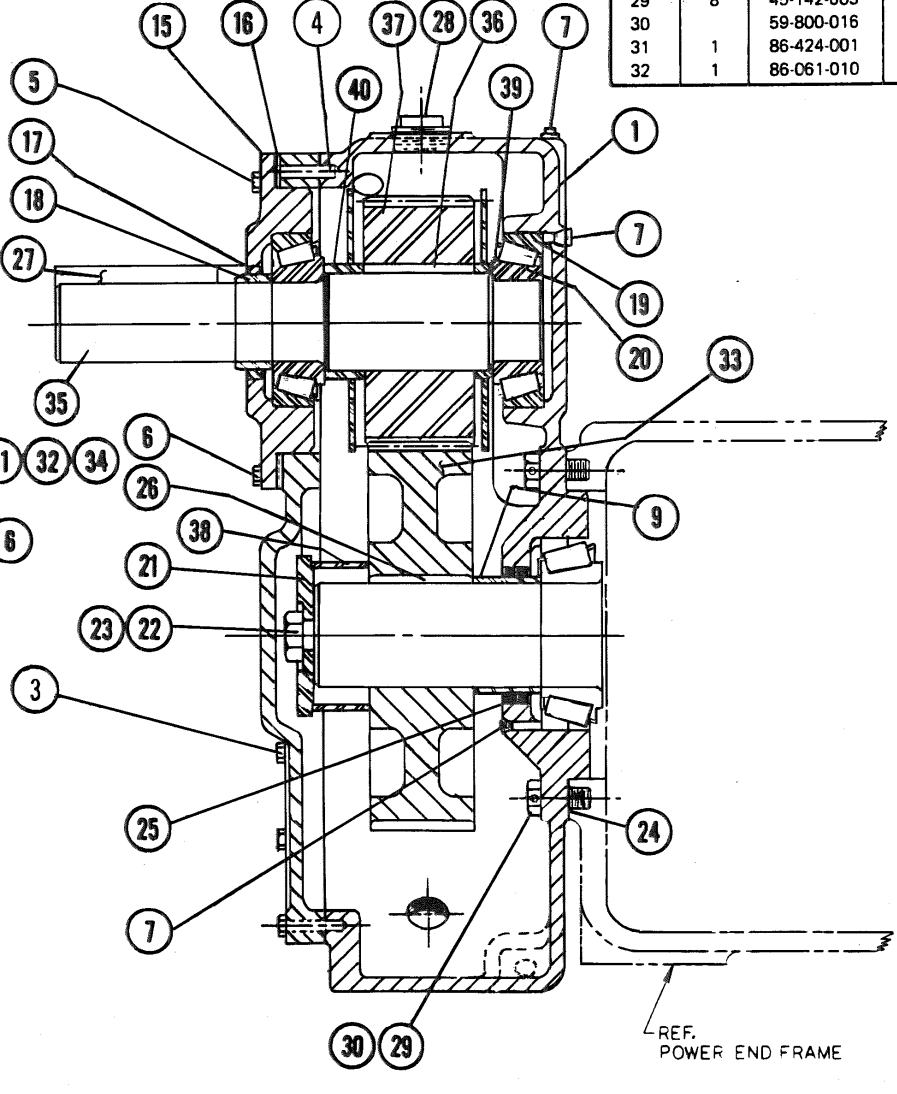
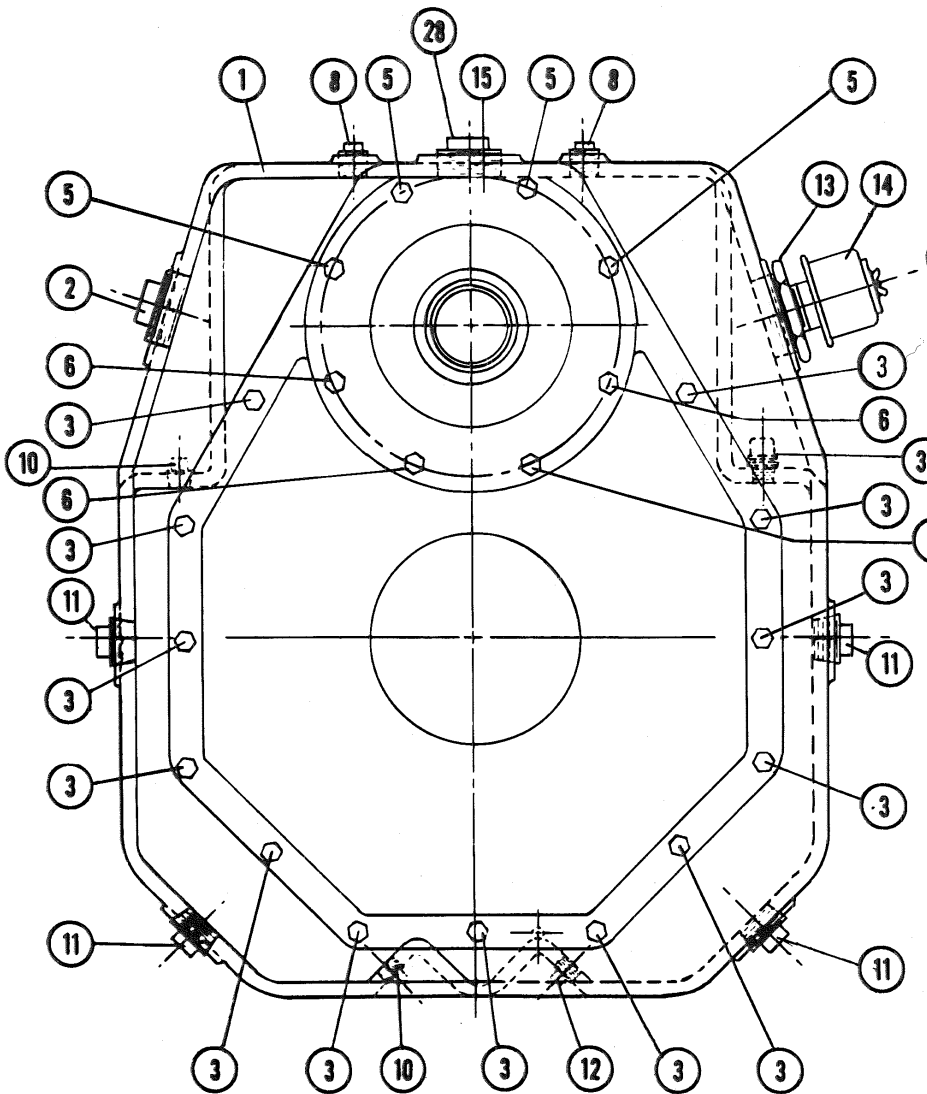
1.775:1 GEAR REDUCTION RATIO			
33	1	08-018-052	GEAR (87 TEETH)
34	1	06-109-009	GAUGE, OIL
35	1	08-804-023	SHAFT, PINION
36	1	45-802-738	KEY (1/2 X 3/4 X 4-1/2)
37	1	45-804-028	PINION (49 TEETH)
38	1	08-804-106	SPACER
39	1	08-804-094	SPACER
40	1	08-804-095	SPACER

2.487:1 GEAR REDUCTION RATIO			
33	1	08-275-004	GEAR (97 TEETH)
34	1	06-009-373	GAUGE, OIL
35	1	08-804-023	SHAFT, PINION
36	1	45-802-738	KEY (1/2 X 3/4 X 4-1/2)
37	1	45-804-027	PINION (39 TEETH)
38	1	08-804-106	SPACER
39	1	08-804-094	SPACER
40	1	08-804-095	SPACER

3.121:1 GEAR REDUCTION RATIO			
33	1	08-017-420	GEAR (103 TEETH)
34	1	06-009-365	GAUGE, OIL
35	1	08-804-023	SHAFT, PINION
36	1	45-802-738	KEY (1/2 X 3/4 X 4-1/2)
37	1	08-804-029	PINION (33 TEETH)
38	1	08-804-106	SPACER
39	1	08-804-094	SPACER
40	1	08-804-095	SPACER

4.440:1 GEAR REDUCTION RATIO			
33	1	08-275-091	GEAR (111 TEETH)
34	1	45-804-280	GAUGE, OIL
35	1	08-804-096	PINION SHAFT W/INTEGRAL PINION (25 TEETH)
38	1	08-804-106	SPACER
39	1	08-804-094	SPACER
40	1	08-804-095	SPACER

5.476:1 GEAR REDUCTION RATIO			
33	1	08-018-341	GEAR (115 TEETH)
34	1	45-804-280	GAUGE, OIL
35	1	08-804-097	PINION SHAFT W/INTEGRAL PINION (21 TEETH)
38	1	08-804-107	SPACER
39	2	08-804-093	SPACER

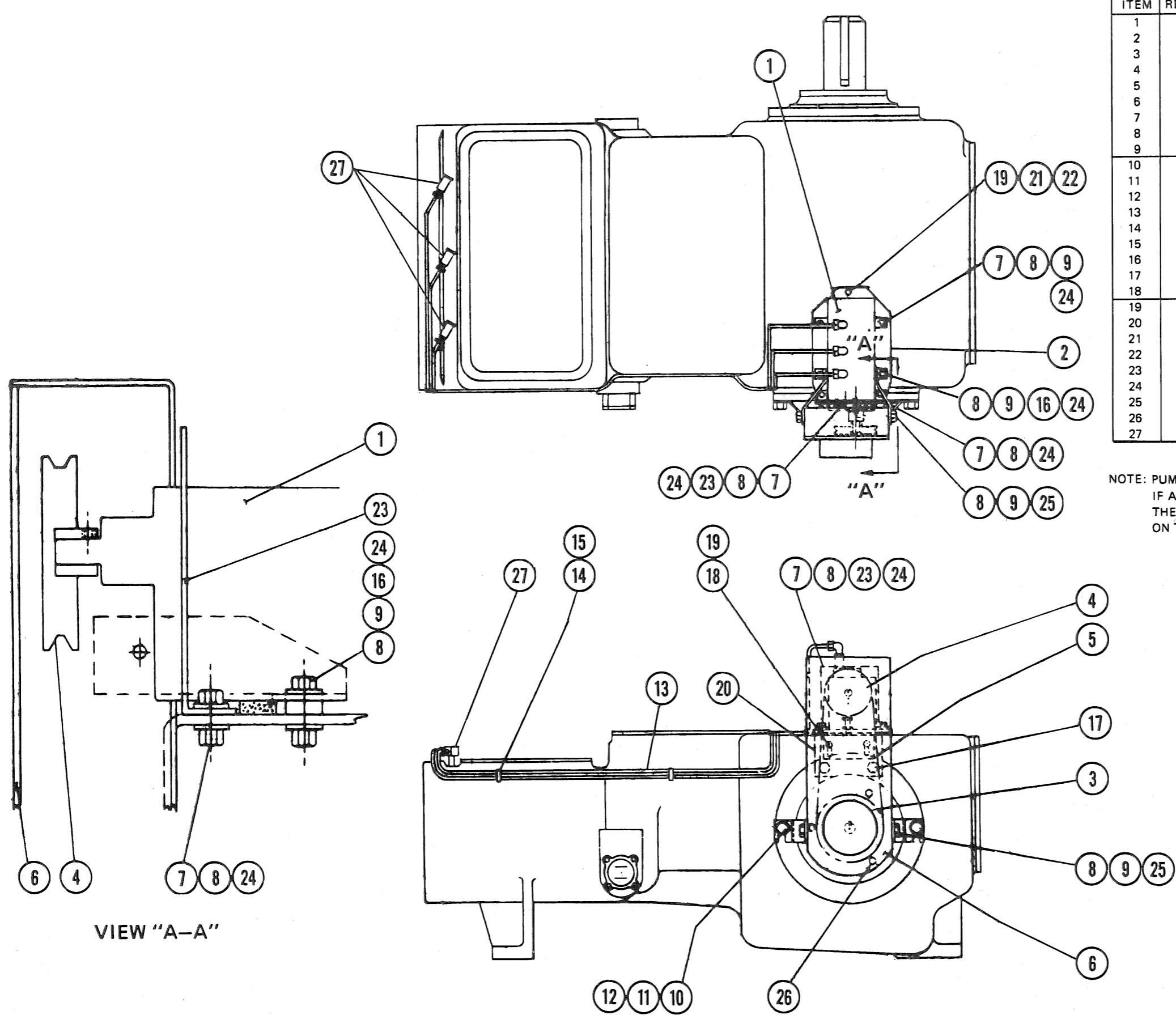


NATIONAL OILWELL

HOUSTON, TEXAS U.S.A. ENGINEERING, McALESTER, OKLAHOMA

TITLE
**GEAR REDUCTION UNIT ASSEMBLY
 202T-6 TRIPLEX PLUNGER PUMP**


SIZE B	REFERENCE No.	DRAWING No. P213-AH1	REV
SCALE NONE	EST WT	SHEET 1 OF 1	



BILL OF MATERIAL			
ITEM	REQ'D	COMM NO	DESCRIPTION
1	1	08-285-029	3-FEED LUBRICATOR (INCL. ITEM 27)
2	1	08-485-028	PLATE, LUBRICATOR MOUNTING
3	1	68-640-250	6.7 P.D. 1-A SECTION DRIVE SHEAVE
4	1	68-650-431	5" P.D. 1-A SECTION LUBRICATOR SHEAVE
5	1	68-020-048	A-48 V-BELT
6	1	08-485-041	GUARD, LUBRICATOR BELT
7	4	75-633-740	3/8-16 X 1-1/4 HEX HD HT CAPSCREW
8	10	75-770-472	3/8 EXT. SHAKEPROOF LOCKWASHER
9	16	75-770-203	3/8 PLATE WASHER
10	2	75-635-063	7/8-9 X 7/8 HEX HD HT CAPSCREW
11	2	75-770-477	7/8 EXT. SHAKEPROOF LOCKWASHER
12	2	75-770-207	7/8 PLATE WASHER
13		64-699-208	1/4 O.D. COPPER TUBING (.049" THK. WALL)
14	2	64-228-265	TUBING CLIP
15	2	75-634-875	1/4-20 X 1/2 RD. HD MACHINE SCREW
16	2	75-634-342	3/8-16 X 1-1/2 HEX HD HT CAPSCREW
17	2	75-634-403	7/8-9 X 2-1/4 HEX HD HT CAPSCREW
18	2	75-634-351	1/2-13 X 1-1/4 HEX HD HT CAPSCREW
19	4	75-770-204	1/2 PLATE WASHER
20	1	08-485-034	SUPPORT, LUBRICATOR
21	1	75-634-533	1/2-13 X 3" SQ HD CUP POINT SETSCREW
22	2	75-510-506	1/2-13 HEX HD JAM NUT
23	1	08-627-039	COVER, LUBRICATOR
24	6	75-510-404	3/8-16 HEX NUT
25	4	75-634-313	3/8-16 X 3/4 HEX HD HT CAPSCREW
26	3	75-634-415	1/2-13 X 3/4 HEX HD HT CAPSCREW
27	3	64-438-895	1/8 MPT X 1/4 T ANGLE CHECK VALVE

NOTE: PUMP, AS SHOWN, IS FOR RIGHT HAND DRIVE.
 IF A LEFT HAND DRIVE PUMP IS ORDERED
 THEN THE LUBRICATOR WOULD BE MOUNTED
 ON THE OPPOSITE SIDE.

6


NATIONAL OILWELL

HOUSTON, TEXAS U.S.A. ENGINEERING, McALESTER, OKLAHOMA

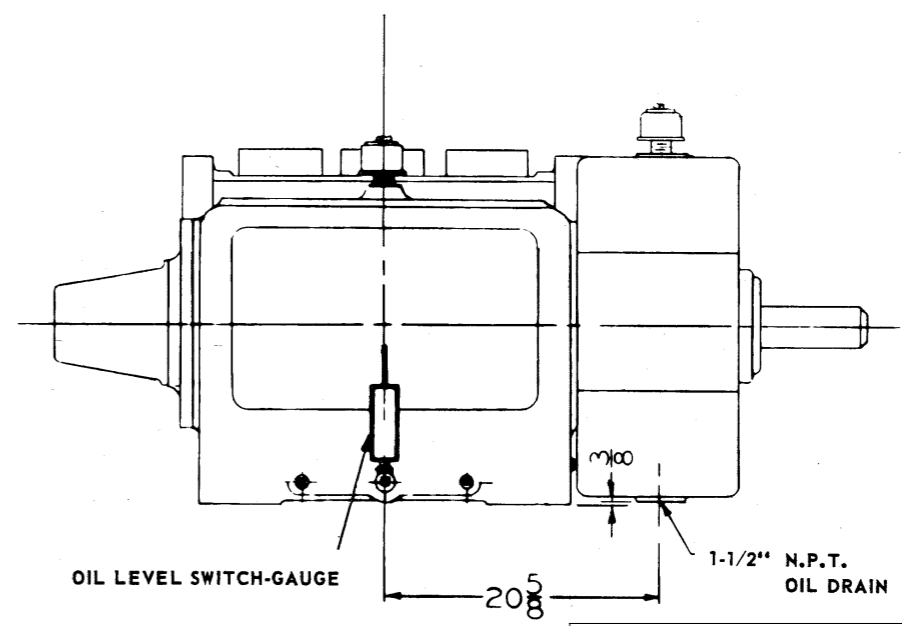
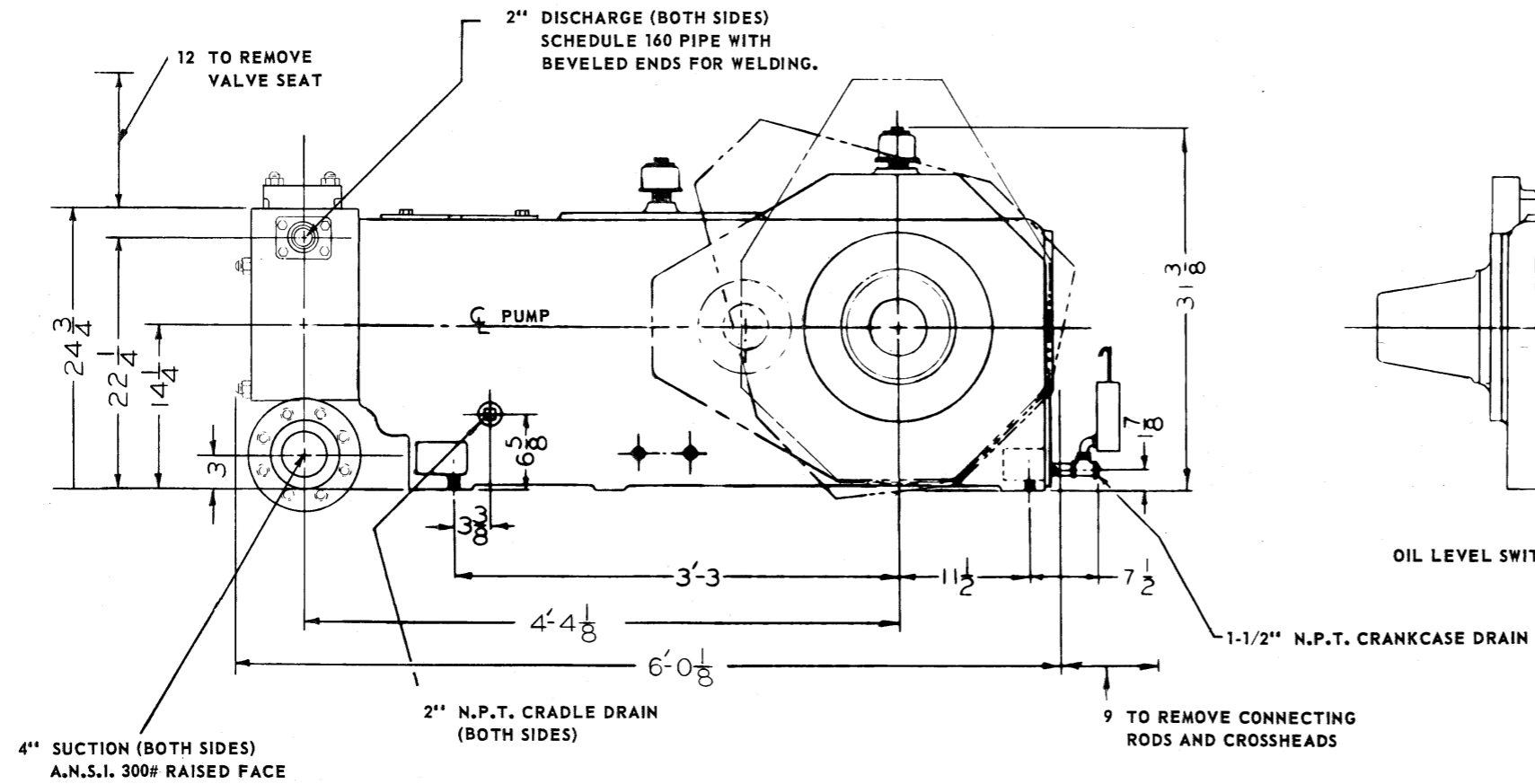
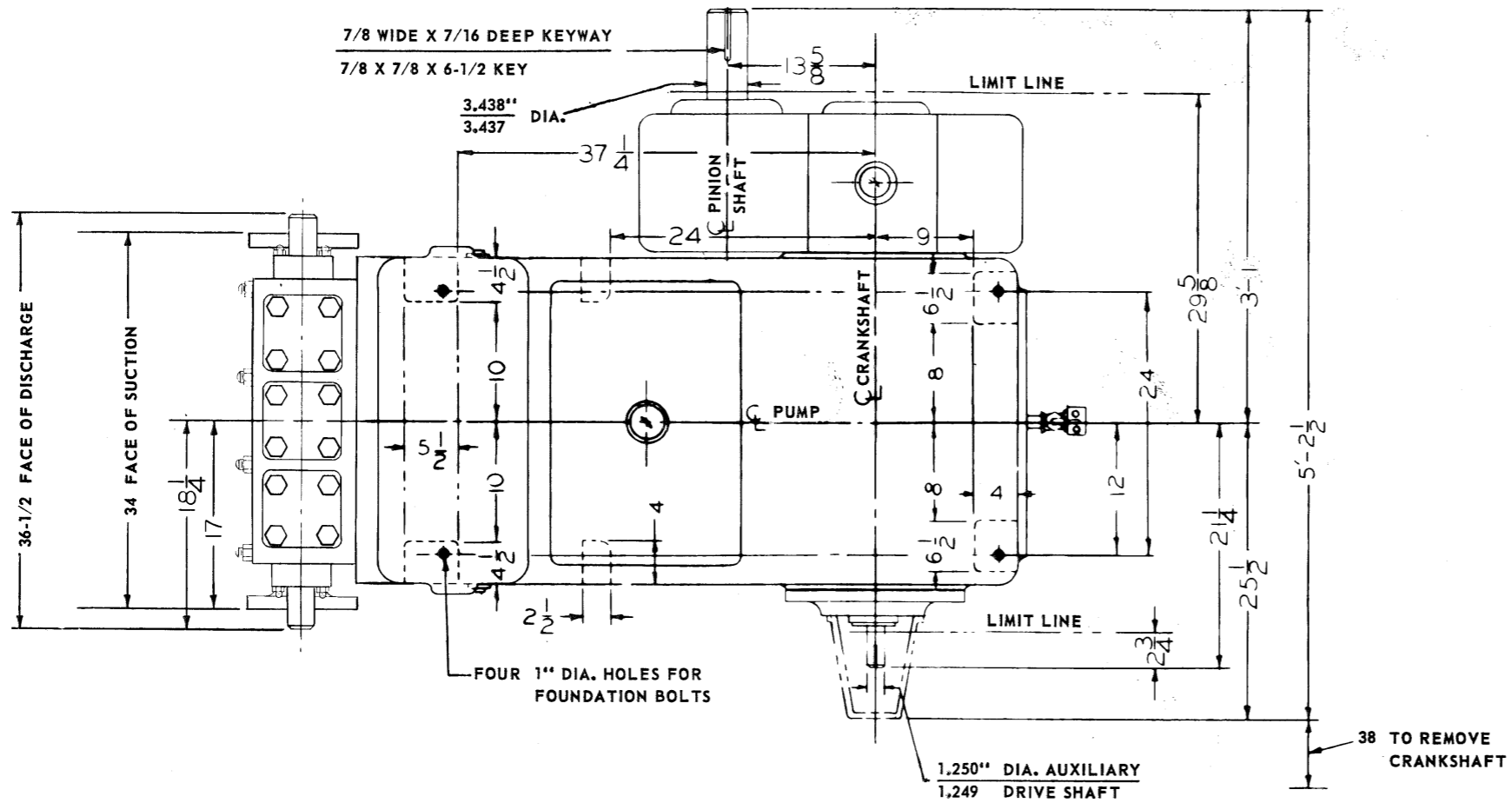
TITLE LUBRICATOR ASSEMBLY
 202T-6 TRIPLEX PLUNGER PUMP


SIZE B	REFERENCE No.	DRAWING No. P150-AD1	REV
SCALE NONE	EST WT	SHEET 1 OF 1	

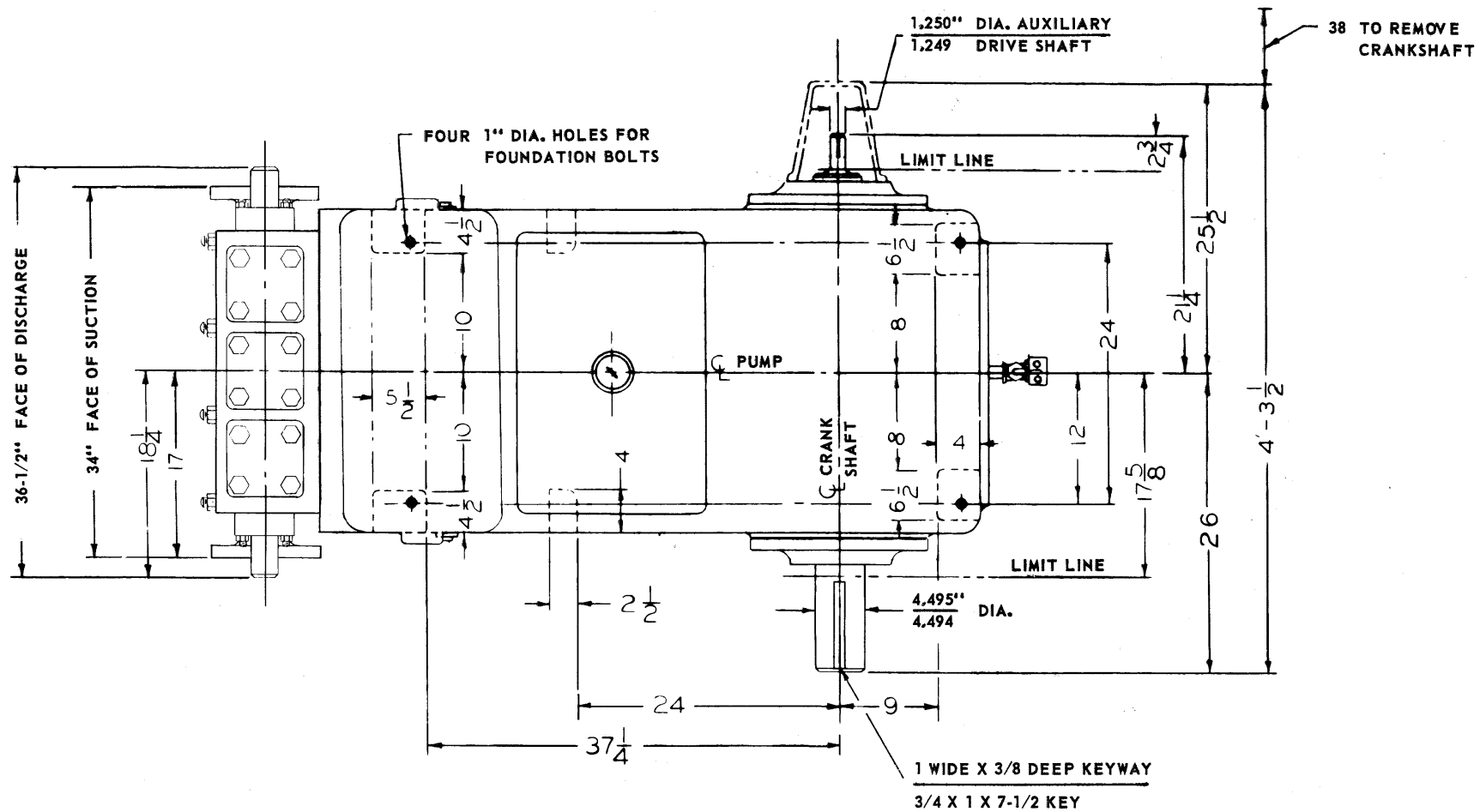
PUMP, AS SHOWN, IS FOR RIGHT HAND DRIVE.
LEFT HAND DRIVE IS OPPOSITE THAT SHOWN.

NOTE: THESE DIMENSIONS ARE ACCURATE
BUT SHOULD NOT BE USED FOR
INSTALLATION UNLESS CERTIFIED.

7



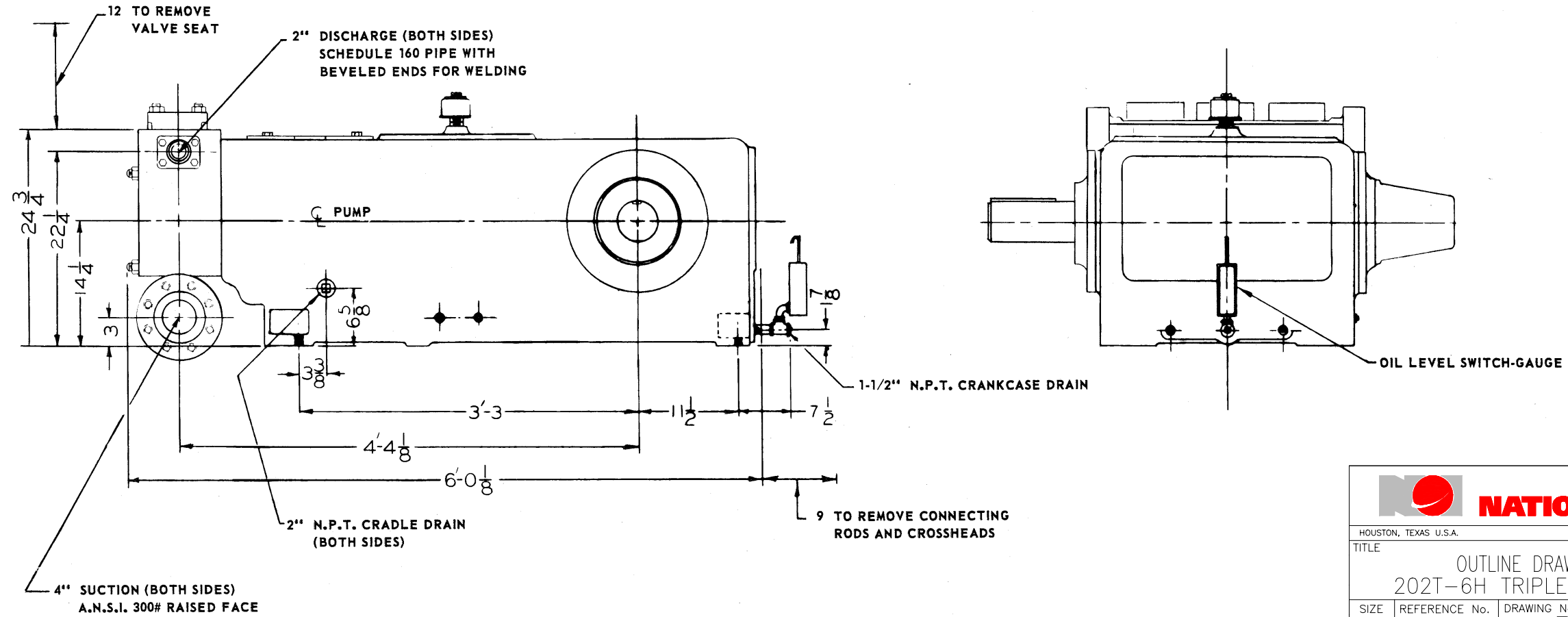
 NATIONAL OILWELL		HOUSTON, TEXAS U.S.A.		ENGINEERING, McALESTER, OKLAHOMA	
		TITLE			
OUTLINE DRAWING WITH GEAR 202T-6H TRIPLEX PLUNGER PUMP					
SIZE	REFERENCE No.	DRAWING No.	REV		
B		P217-A2			
SCALE	EST WT	SHEET		1 OF 1	
NONE					




PUMP, AS SHOWN, IS FOR LEFT HAND DRIVE.
RIGHT HAND DRIVE IS OPPOSITE THAT SHOWN.

NOTE: THESE DIMENSIONS ARE ACCURATE
BUT SHOULD NOT BE USED FOR
INSTALLATION UNLESS CERTIFIED.

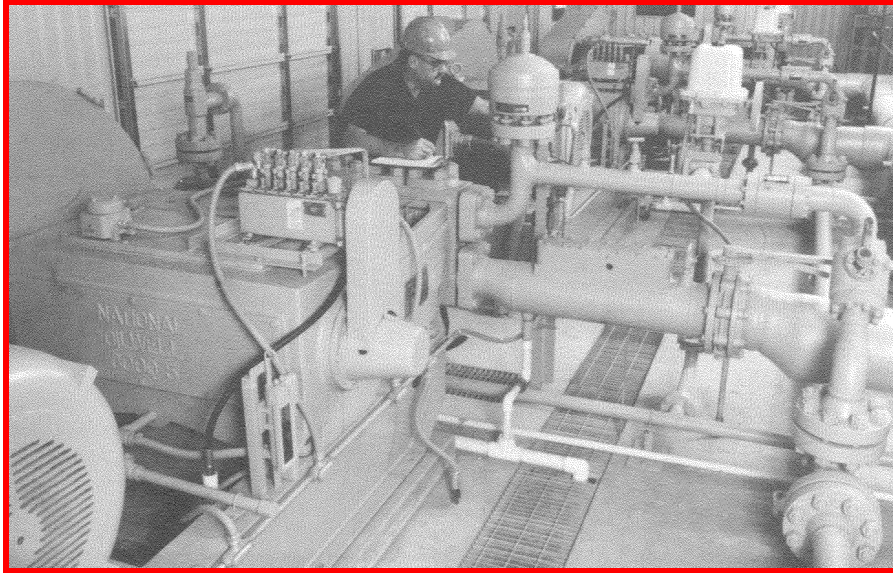
8



 NATIONAL OILWELL		HOUSTON, TEXAS U.S.A.		ENGINEERING, McALESTER, OKLAHOMA	
		TITLE OUTLINE DRAWING LESS GEAR 202T-6H TRIPLEX PLUNGER PUMP			
SIZE B	REFERENCE No.	DRAWING No. P217-2	REV		
SCALE NONE	EST WT	SHEET 1 OF 1			



NATIONAL OILWELL



With over 120 locations worldwide, National Oilwell is located near you. To find the nearest Distribution Service Center, machinery center or repair facility, please give us a call at our main office listed below.

Or you can access our website at the URL listed below, where you may search by location or country.

<http://www.natoil.com/locations>

Sales/Technical Information:
USA Tollfree: 1 (800) 800-4110

Internet: <http://www.natoil.com>

National Oilwell is a leading manufacturer of reciprocating plunger pumps, Mission Fluid King centrifugal pumps, and fluid end replacement parts. We also offer a complete set of solutions to your fluid transfer challenges. For more information, contact National Oilwell directly at the Headquarters in Houston, Texas. All National Oilwell products are available throughout the U.S. and around the world from service centers, authorized distributors, and representatives.

© Copyright 1999 by National Oilwell, L.P. All Rights Reserved. NATIONAL OILWELL, NATIONAL, and OILWELL are registered trademarks of NATIONAL OILWELL, L.P. Houston, Texas, USA. All other trademarks used are registered to their respective companies. The information and data in this brochure, including but not limited to pictures, photographs, charts, diagrams, drawings, lists, written comments, and specifications, are accurate to the best of our knowledge and belief, but are intended for general information only. Applications suggested for the materials and other information are described only to help readers make their own evaluations and decisions, and are neither guarantees nor are they to be construed as express or implied warranties of suitability for these or other applications. National Oilwell makes no warranty, either express or implied, beyond that stipulated in National Oilwell's Standard Terms and Conditions of Sale which are available upon request.